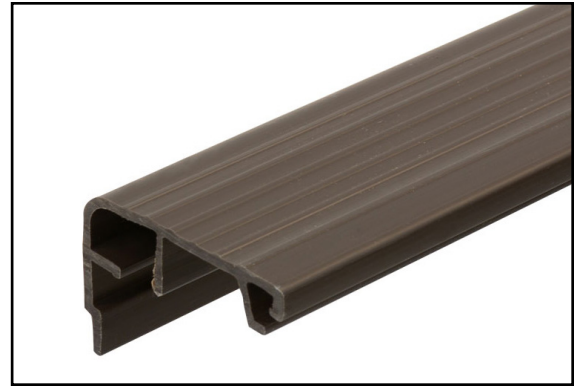


# Endura Fixed Vinyl Sill Cap

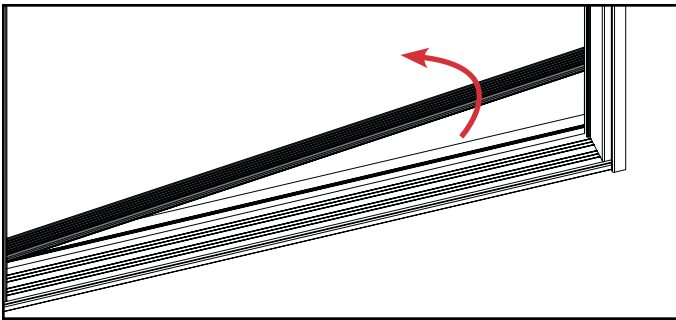
## Replacement Instructions



### Tools and Supplies:

- Pliers
- Brad Nails

### STEP 1: REMOVE DAMAGED SILL CAP

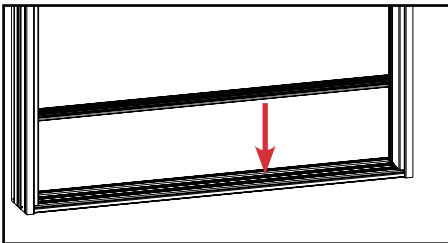


Remove the damaged cap from the sill deck by pulling upwards.

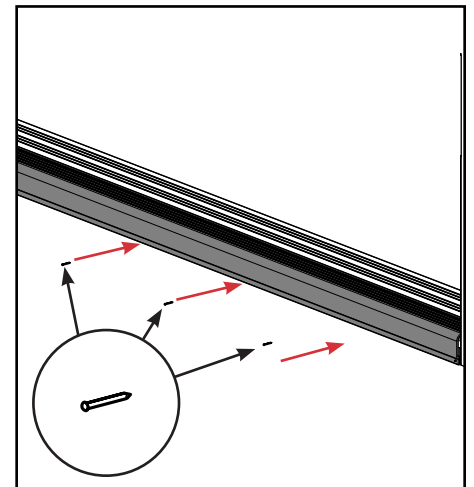
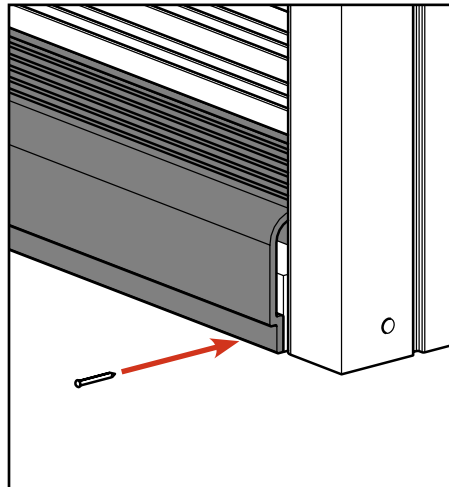
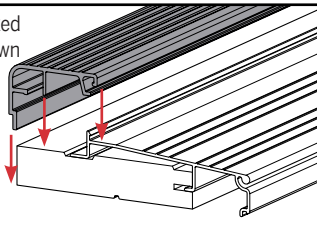


Exercise caution while removing damaged caps as the vinyl may be sharp.

### STEP 2: REPLACE WITH NEW SILL CAP



Low Profile Fixed Vinyl Cap Shown



a. Place the new sill cap over the sill cap channel. The back leg should slide behind the sill supports and between the flooring.

b. Secure the back of the cap in place by inserting brad nails through the back leg into the sill substrate.

**Please Note:** Other fasteners may crack the cap.

c. Continue inserting brad nails along the length of the sill.

SKU: BD-INST-FIXEDVINYL  
Revision: 03.16.2017



8817 West Market Street, Colfax, NC 27235  
800.334.2006 Fax: 336.668.4478  
www.enduraproducts.com