

Multi-Point Astragal

Cut Down Instructions



8817 West Market Street
Colfax, NC 27235 | 800.334.2006
www.enduraproducts.com

Tools Required:

- Pencil/Marker
- Tape Measure
- Chop Saw
- Flathead Screwdriver
- Phillips Screwdriver

Notes:

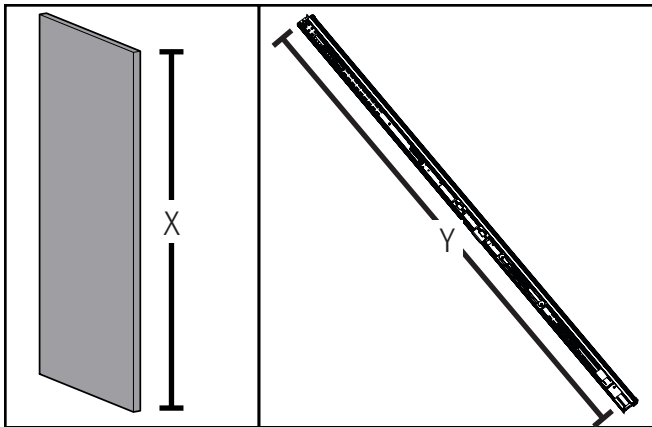
- All cuts should be from the **top of the astragal**.
- Multi-Point Astragals can be cut down a maximum of 7".

Optional Parts:



Tail Cap

STEP 1: INITIAL PREPARATION



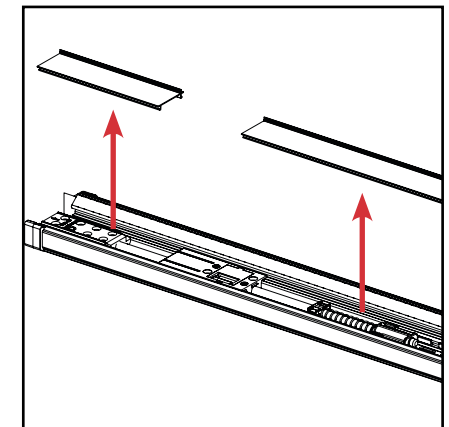
a. Measure the length of the door panel (X) and the length of the astragal (Y) on the **narrow edge**.

b. Round the length of the door panel (X) and the length of the astragal (Y) down to the closest inch. Subtract the rounded length of the door panel from the rounded length of the astragal to determine your **index number**.

Example:

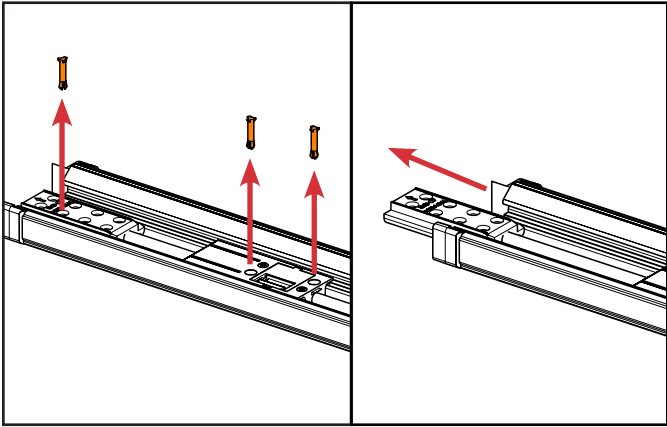
To determine index number:

- If the astragal length is 79-1/4", round it down to **79"**.
- If the length of the door panel is 73-3/4", round it down to **73"**.
- $79" - 73" = 6$ is the **index number**.

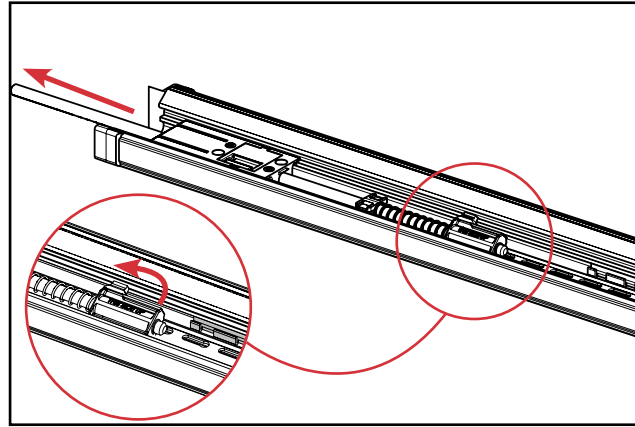


c. If present, remove the trim strip from the astragal body.

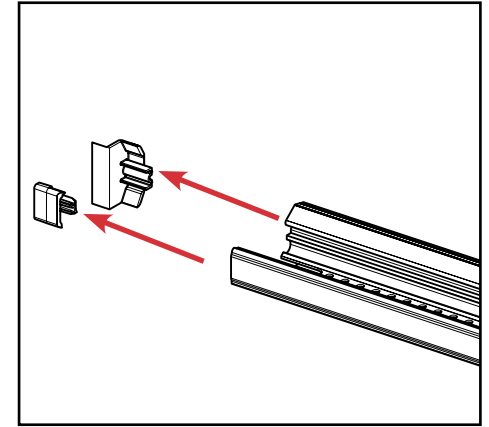
STEP 1 (CONT.): INITIAL PREPARATION



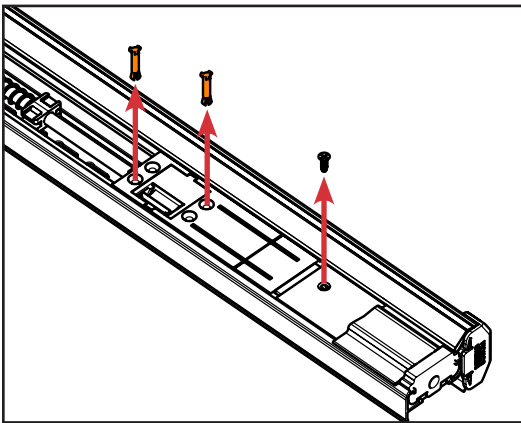
d. Remove the three orange securing pins in the upper bolt assembly. Slide the bolt sleeve out of the astragal.



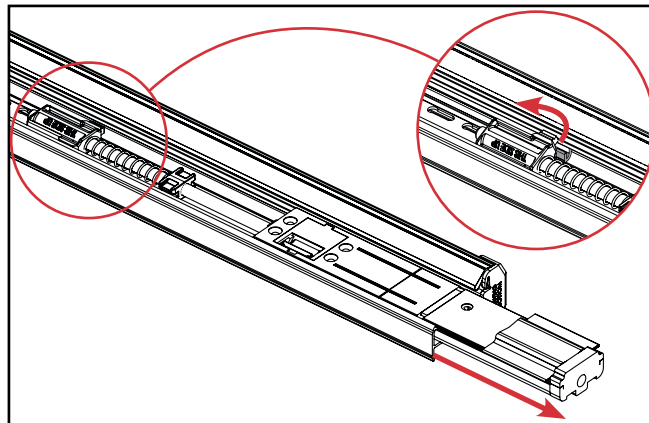
e. Rotate the bolt head out of the channel in the astragal and slide the bolt assembly out of the astragal.



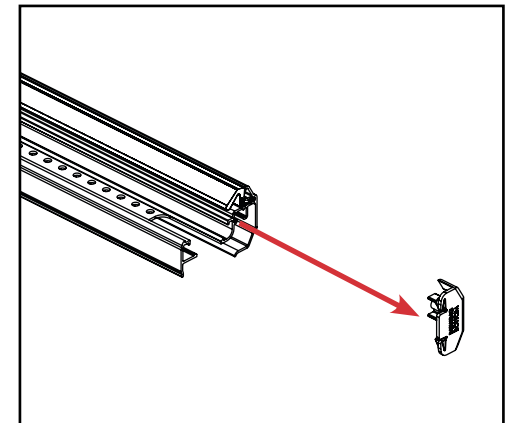
f. Remove the upper trim cap, and tail cap if present, from the astragal body.



g. On the lower bolt, remove two orange securing pins and the screw securing bolt sleeve.

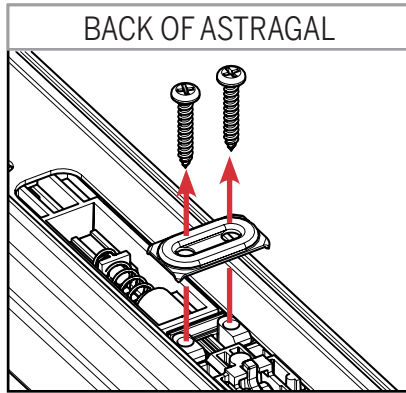


h. Once the orange securing pins and screw are removed, rotate the bolt head out of the notch in the drive channel. Slide the bolt assembly out of the astragal body.

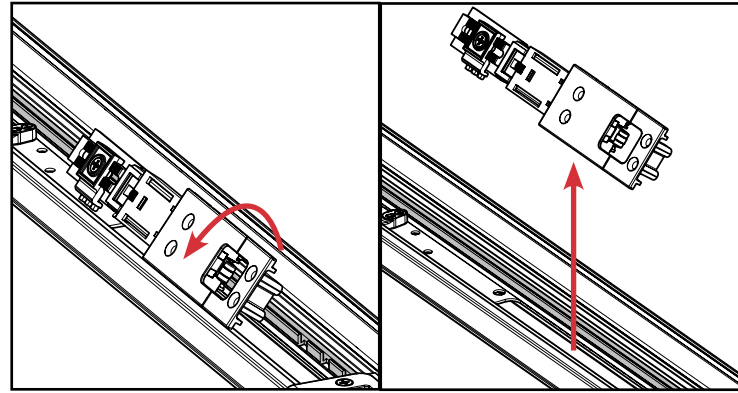


i. Remove the lower trim cap from the astragal body.

STEP 1 (CONT.): INITIAL PREPARATION

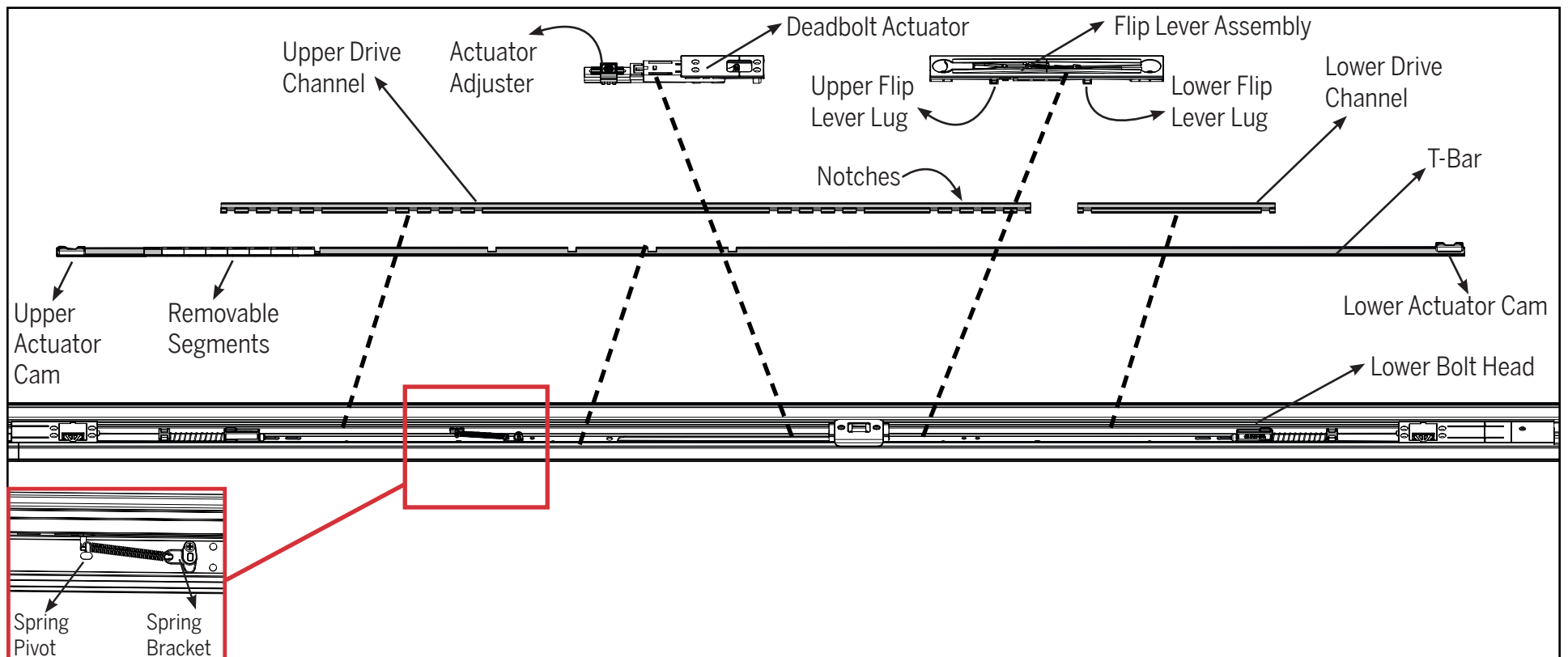


j. Remove the shipping clip on the back of the deadbolt actuator by removing the two screws securing it.

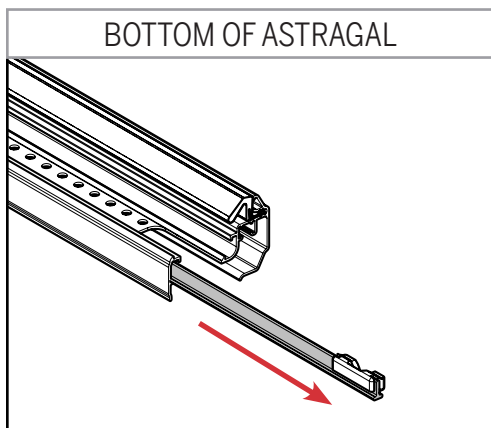


k. Rotate the deadbolt actuator towards the narrow side of the astragal and remove.

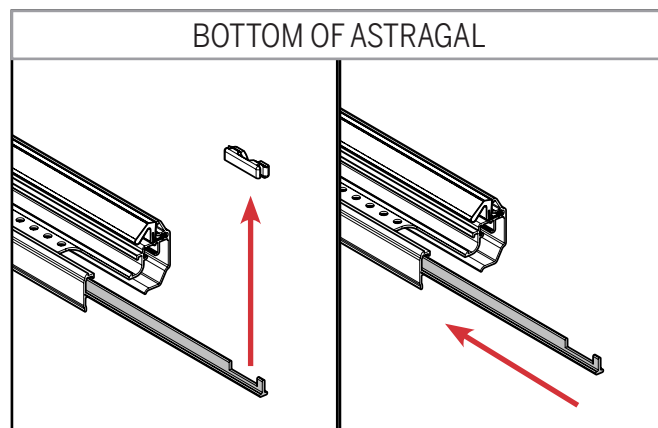
STEP 2: ADJUST THE T-BAR



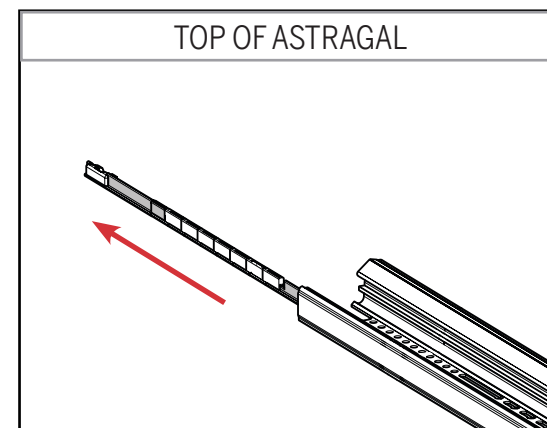
STEP 2 (CONT.): ADJUST THE T-BAR



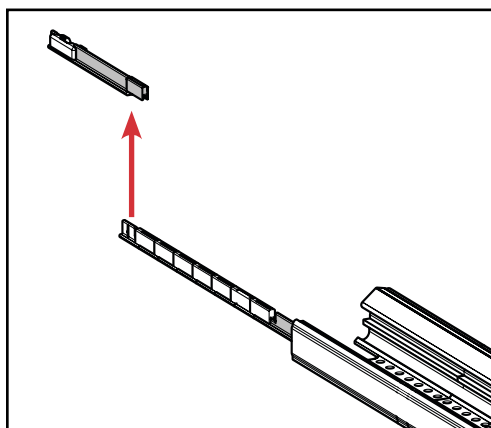
a. Locate the T-bar on the **narrow side** of the astragal and slide it out of the lower end of the astragal body, far enough to remove the lower actuator cam.



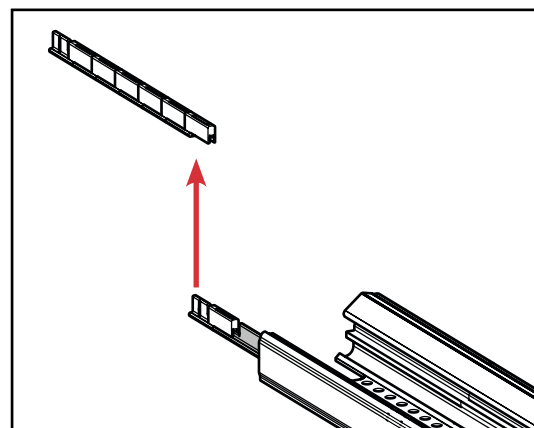
b. Remove the lower actuator cam and set aside. Slide the T-bar back into the astragal.



c. From the top of the astragal body, slide out the T-bar until the removable segments are exposed.



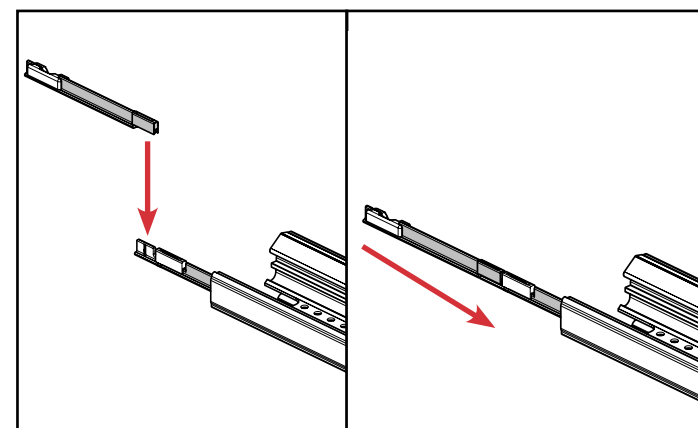
d. Lift up on the end of the T-bar to disengage it from the first segment.



e. Remove the same number of segments on the T-bar that is equal to the index number calculated in Step 1a. Lift up the segments to remove.

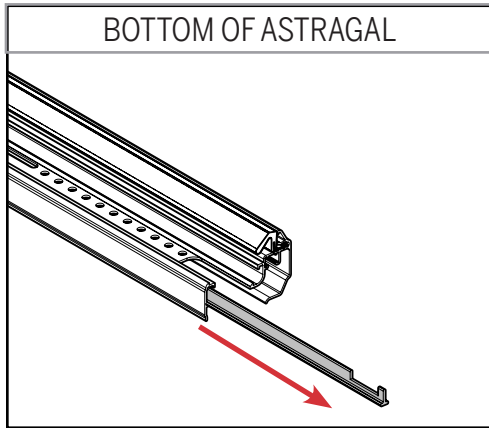
Example:

If the index number is equal to 6, remove 6 segments off the end of the T-bar.

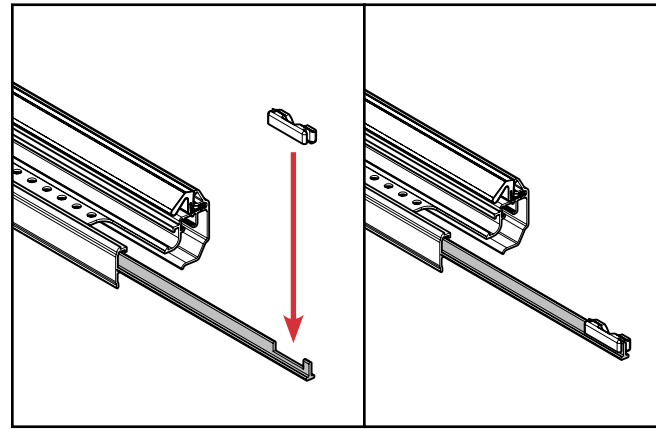


f. Reinsert the end removed in Step 2c to the resized T-bar.

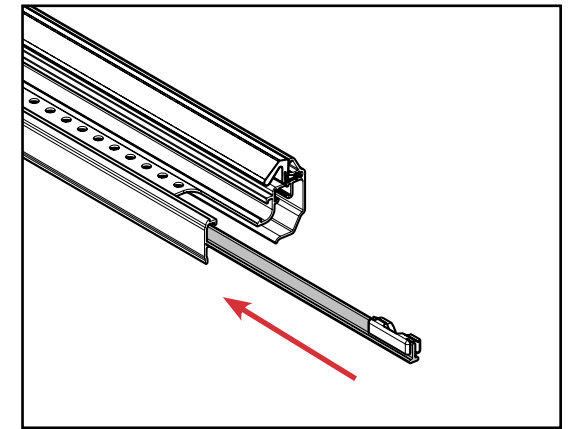
STEP 3: REPLACE THE ACTUATOR CAM



a. Slide the T-bar back out of the bottom of the astragal body.

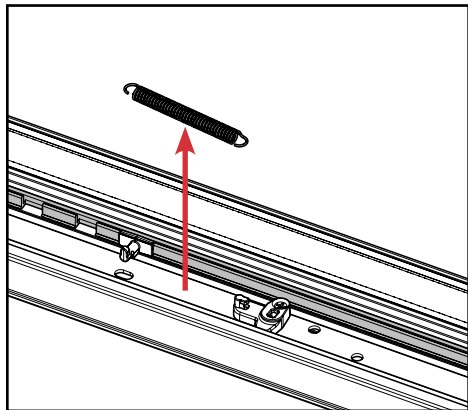


b. Reattach the lower actuator cam into the T-bar. The cam will snap firmly into the T-bar mating slot.

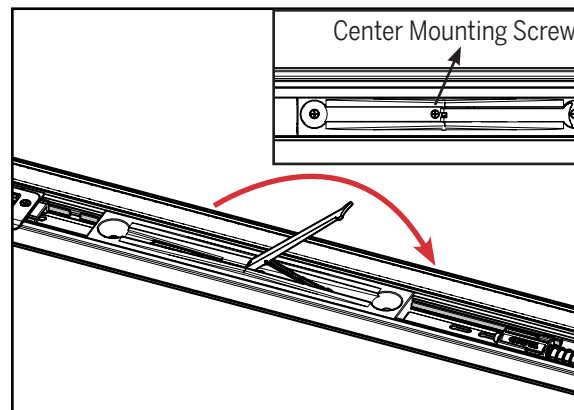


c. Slide the T-bar back into the astragal body.

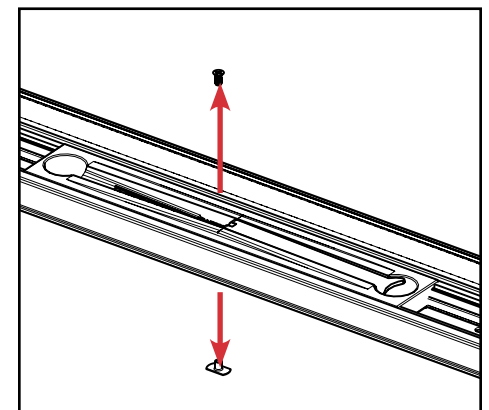
STEP 4: ADJUST THE FLIP LEVER ASSEMBLY (ONLY IF INDEX NUMBER IS GREATER THAN 4)



a. Remove the spring from the spring bracket and spring pivot and set it aside.

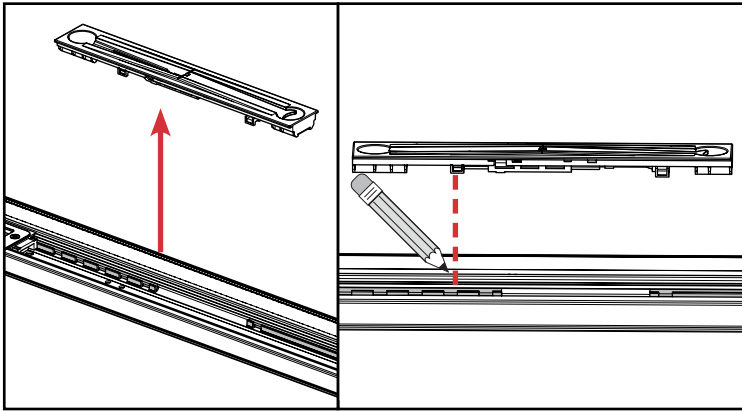


b. Engage the flip lever into the locked position to access the center mounting screw.



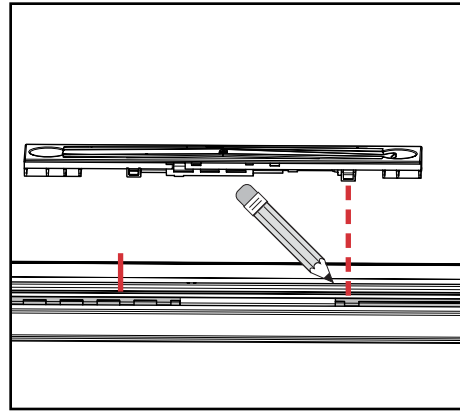
c. Remove the mounting screw and T-nut from the center of the flip lever assembly and set it aside.

STEP 4 (CONT.): ADJUST THE FLIP LEVER ASSEMBLY (ONLY IF INDEX NUMBER IS GREATER THAN 4)

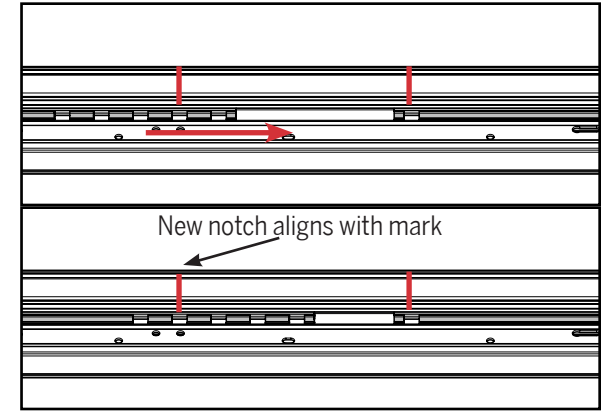


d. Remove the flip lever assembly from the astragal body by lifting it straight up. As you remove the flip lever assembly, mark the astragal body where the upper flip lever lug aligns with a notch in the upper drive channel.

Note: The marked notch on the upper drive channel may not be the last notch.



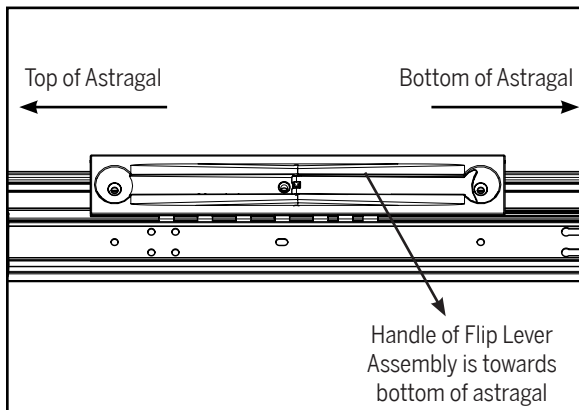
e. Make a mark on the astragal body where the lower flip lever lug aligns with the notch in the lower drive channel.



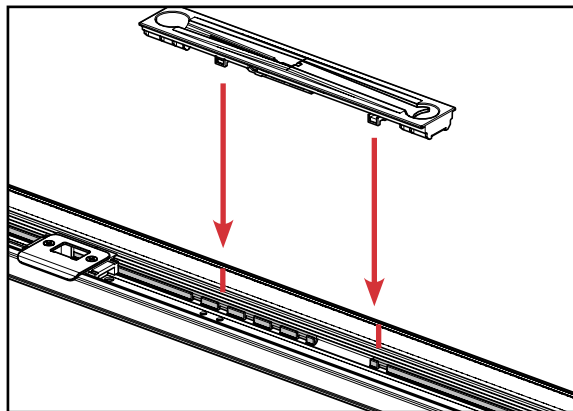
f. Subtract 4 from your index number determined in Step 1a. Slide the upper drive channel down an equivalent number of notches so that a new notch lines up with the marks previously made.

Example:

If your index number was 6, slide the upper drive channel down 2 notches because $6 - 4 = 2$.



g. Align the flip lever assembly relative to the astragal body so that the assembly is in the extended position, with the handle arm pointed towards the bottom of the astragal.

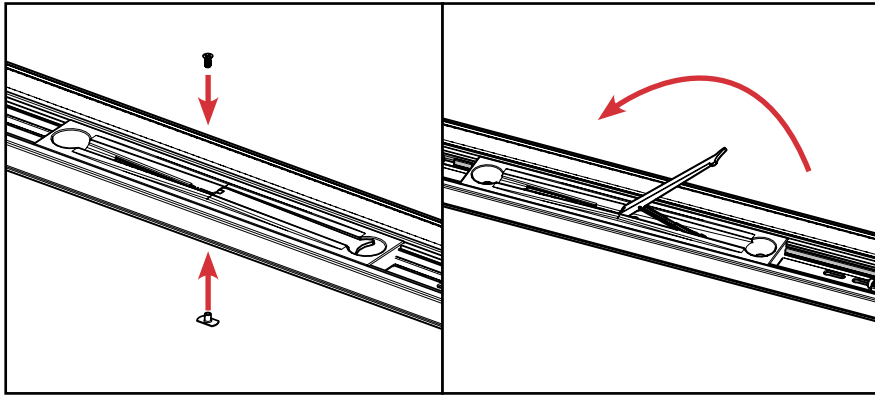


h. Insert the flip lever assembly into the astragal body, ensuring the flip lever lugs align with the marks made on the astragal body. Ensure the flip lever assembly sits flush in the body with the lugs securely inserted in the notches.

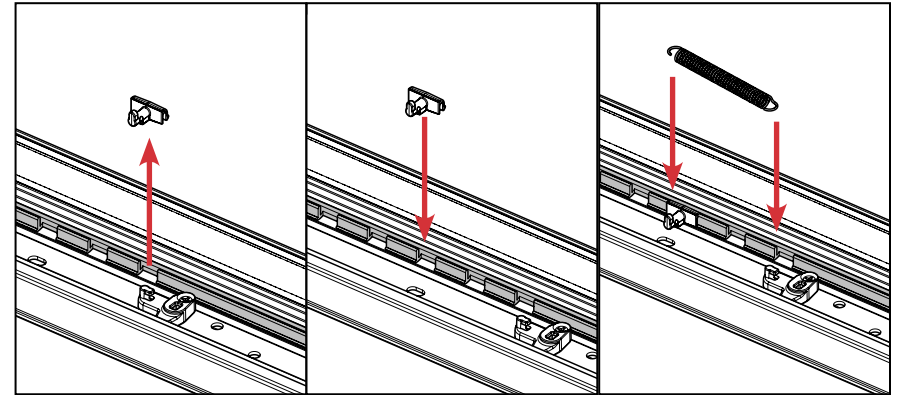


Do not operate the flip lever until the screw is reinserted.

STEP 4 (CONT.): ADJUST THE FLIP LEVER ASSEMBLY (ONLY IF INDEX NUMBER IS GREATER THAN 4)



i. Once properly seated, the flip lever assembly will rest evenly on the drive channels. Holding the T-nut into place behind the flip lever, reinstall the center mounting screw. When secured, disengage the flip lever.



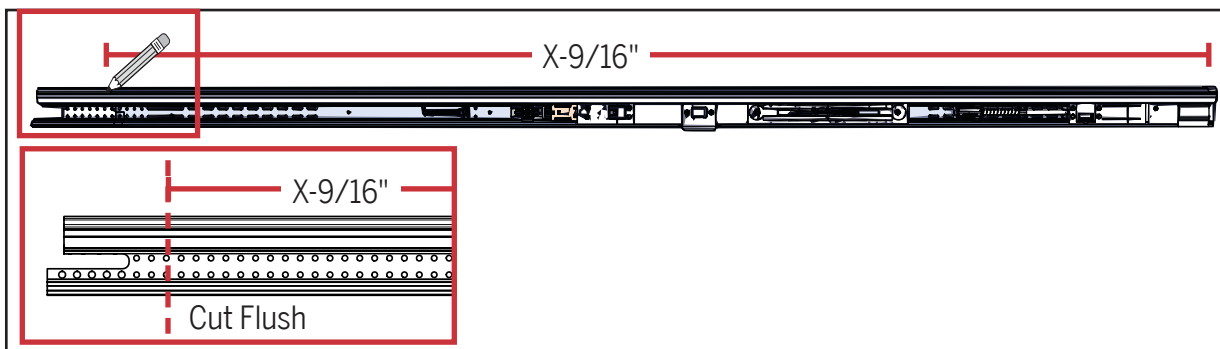
m. Lift up the spring bracket and move it towards the top of the astragal an equivalent number of notches to the movement in Step 4f. Once the spring bracket is secure, reinstall the spring.

Example:

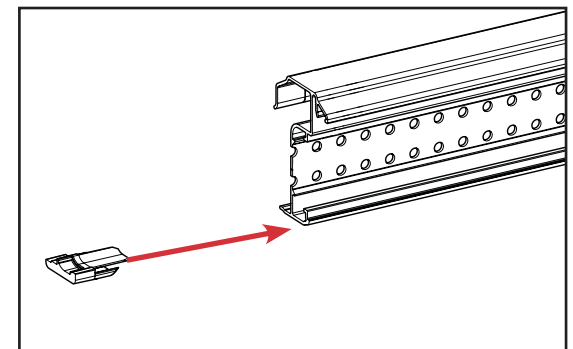
If your index number was 6, move the spring bracket up 2 notches because $6-4=2$.

STEP 5: CUT ASTRAGAL TO SIZE

IF YOU **DO** HAVE A TAIL CAP AVAILABLE:



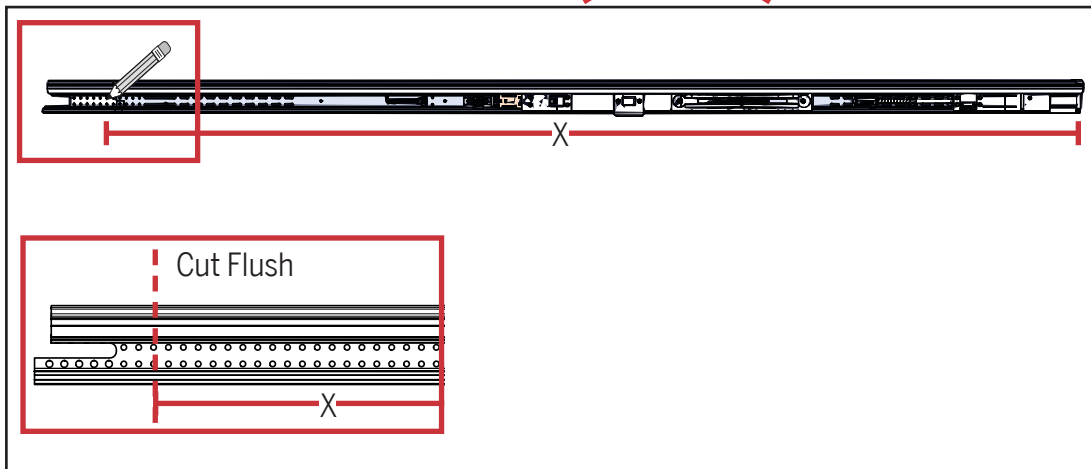
a. Starting at the bottom of the astragal and measuring along the **wide side**, measure and mark ($X-9/16$ \""). Cut the astragal flush at this location.



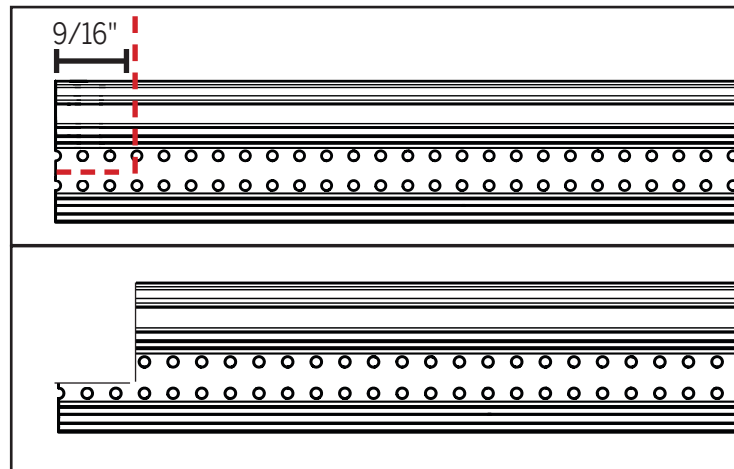
b. Insert the tail cap onto the **narrow side** of the astragal body. You may receive two tail caps, but only one will fit.

STEP 5 (CONT.): CUT ASTRAGAL TO SIZE

IF YOU **DO NOT** HAVE A TAIL CAP AVAILABLE:

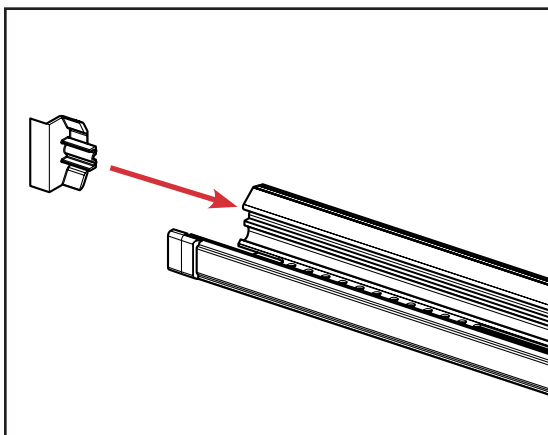


a. Starting at the bottom of the astragal and measuring along the **narrow side**, measure and mark (X) on the astragal. Cut the astragal flush at this location.

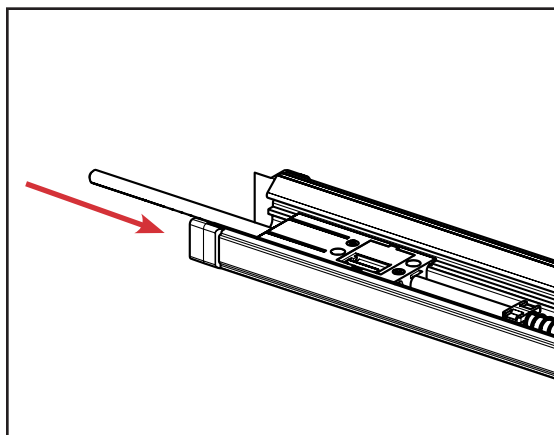


b. To renotch the astragal measure 9/16" from the cut end of the astragal. Using a chop saw, cut at this point, until the space between the rows of holes in the astragal body. **Do not cut it flush.**

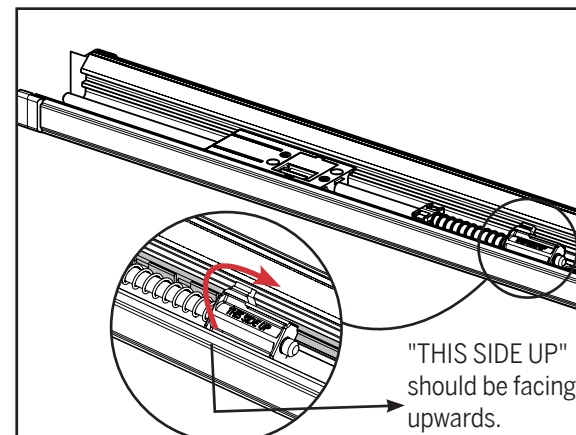
STEP 6: REINSTALL THE BOLTS



a. Install the upper trim cap to the top of the astragal body.

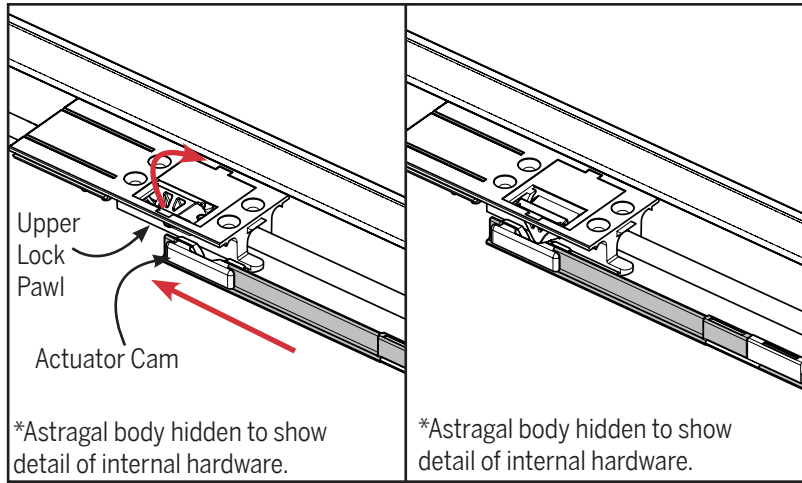


b. Slide the upper bolt assembly into the astragal body until the bolt end is flush with the end of the astragal.

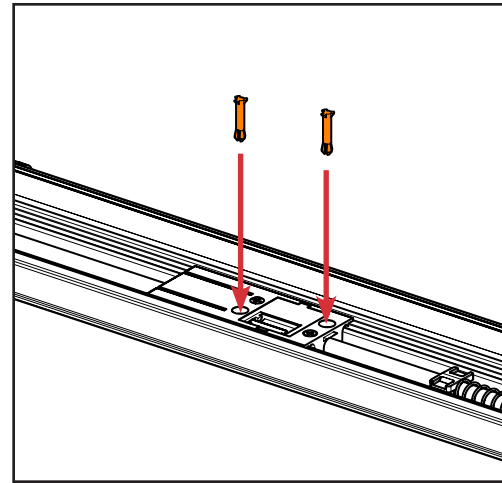


c. With the printing on the bolt head facing upwards, rotate it into the notch on the upper drive channel in the wide side of the astragal.

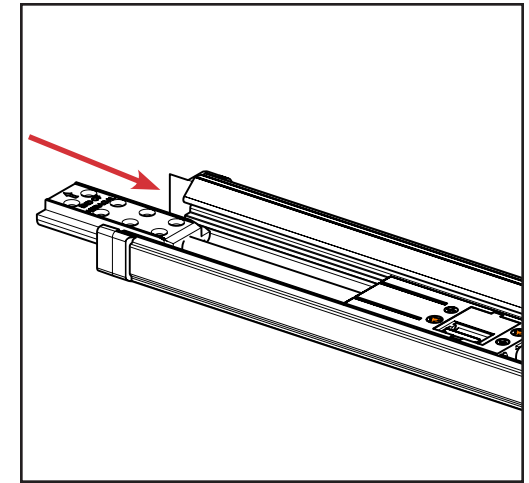
STEP 6 (CONT.): REINSTALL THE BOLTS



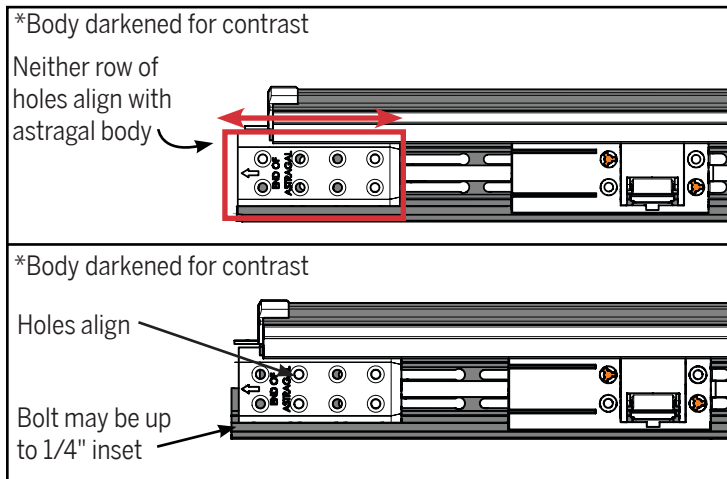
d. Adjust the T-bar to align the actuator cam with the upper lock pawl. Lift the upper lock pawl and slide the actuator cam under it, allowing it to mate with the upper lock pawl.



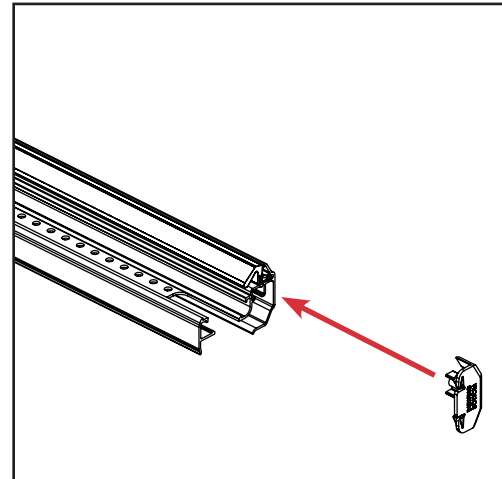
e. Reinstall the orange securing pins into the holes in the bolt that align with the holes in the astragal.



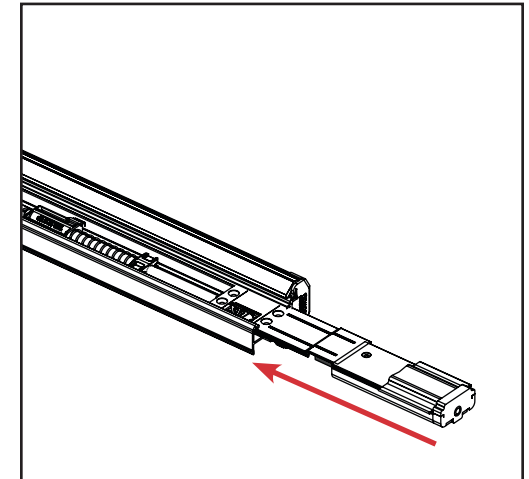
f. Slide the upper bolt sleeve into the astragal body, allowing it to slide along the upper bolt. Start with it flush against the top of the astragal body.



g. Adjust the bolt sleeve until the first or second row of holes aligns with the holes in the astragal body. Insert an orange securing pin into the hole that aligns.

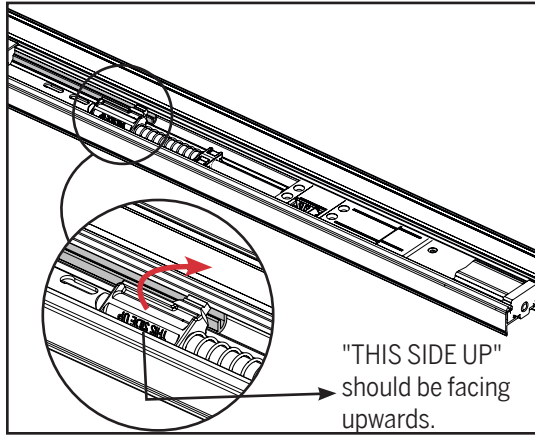


h. Install the lower trim cap to the astragal body.

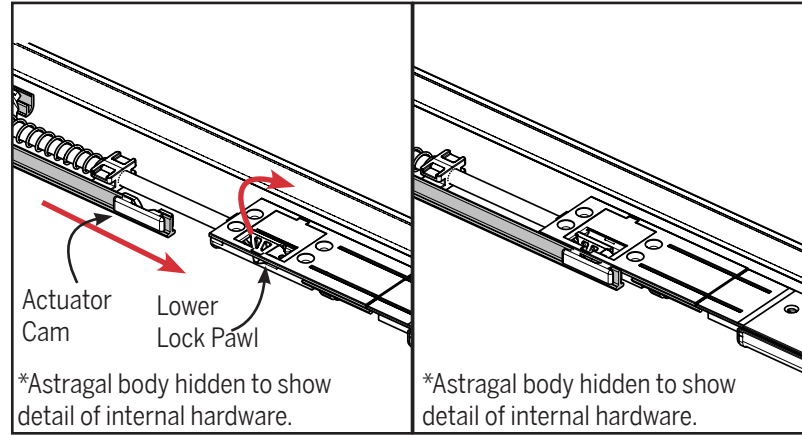


i. Ensure the flip lever is in the retracted position. Slide the lower bolt assembly into the astragal body until the end of the bolt is flush with the end of the astragal.

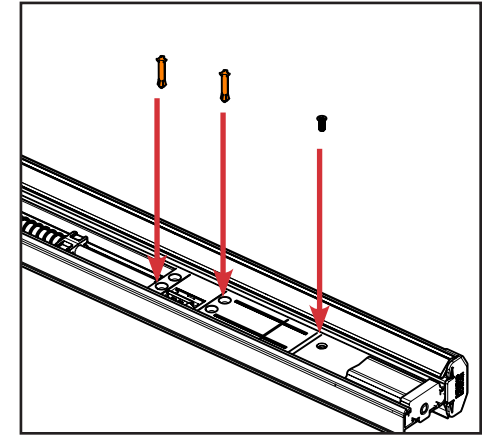
STEP 6 (CONT.): REINSTALL THE BOLTS



j. With the printing on the bolt head facing upwards, rotate it into the notch on the lower drive channel in the wide side of the astragal.

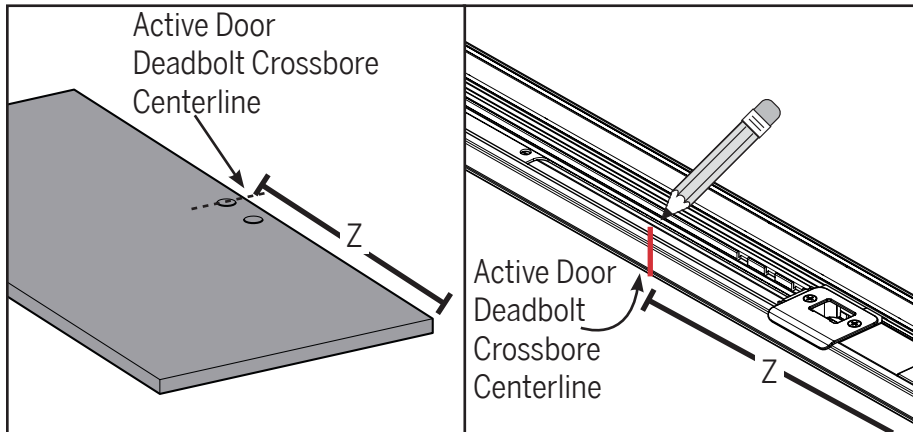


k. Slide the T-bar down until the lower actuator cam is positioned against the lower lock pawl. Lift the lock pawl, then move the T-bar until the actuator cam mates with the lower lock pawl.

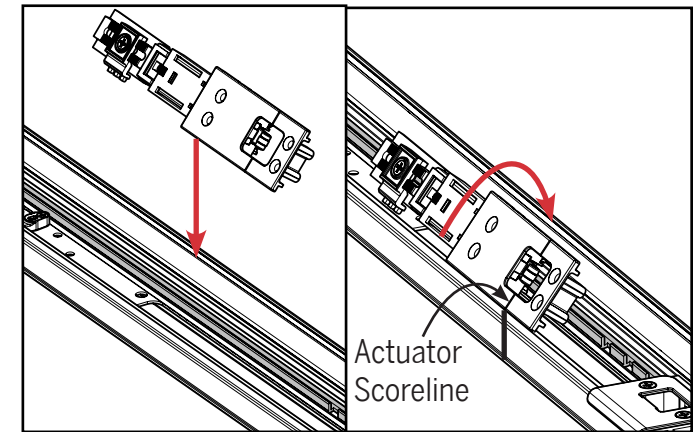


l. Reinstall the orange securing pins into the holes in the bolt that align with the holes in the astragal and reinstall the screw into the bolt sleeve.

STEP 7: REINSTALL THE DEADBOLT ACTUATOR

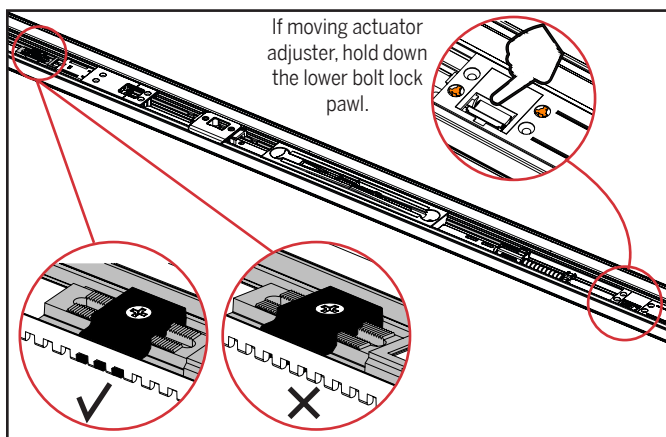


a. Measure and mark the active door deadbolt crossbore centerline on the astragal body.



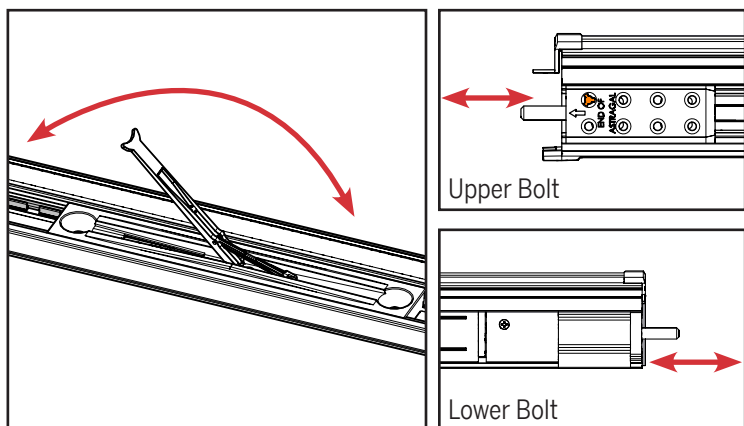
b. Reinstall the deadbolt actuator into the astragal body lining up the scoreline with the mark made on the side of the astragal.

STEP 7 (CONT.): REINSTALL THE DEADBOLT ACTUATOR



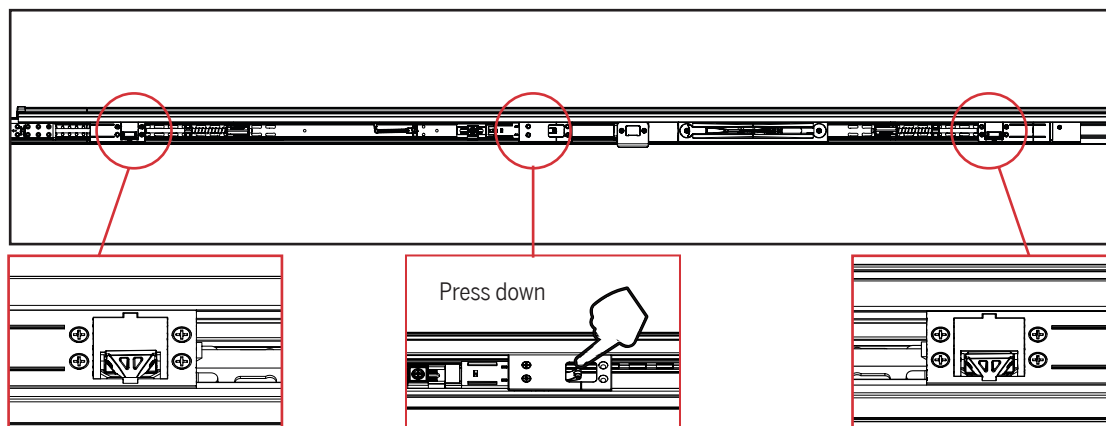
c. Ensure that the actuator adjuster is engaged with the rack teeth on the adjustment insert. If it is not, hold down the lower bolt lock pawl and move the adjustment insert to better engage with the adjustment insert.

STEP 8: CONFIRM FLIP LEVER AND LOCK PAWL OPERATION



a. Operate the flip lever and ensure the bolt sleeve and pins move between engaged and disengaged positions.

NOTE: If the lower bolt does not freely move, the lever may need to be cycled several times.



b. Operate the deadbolt actuator, ensuring the upper and lower lock pawls move between engaged and disengaged positions. Check that there is no binding between the lock pawls when the deadbolt actuator is fully depressed and that the pawls move at the same time.