

Endura Multi-Point Astragal Shoot Bolt

Replacement Instructions

Tools Required:

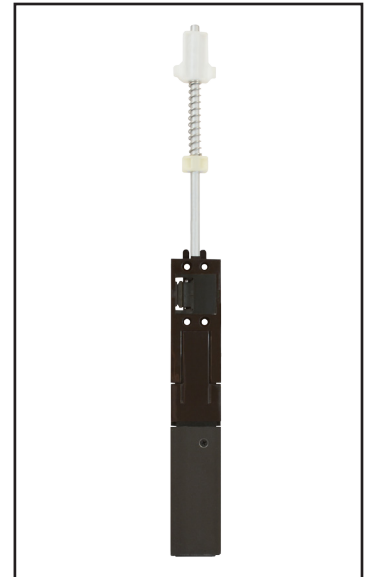


Phillips
Screwdriver

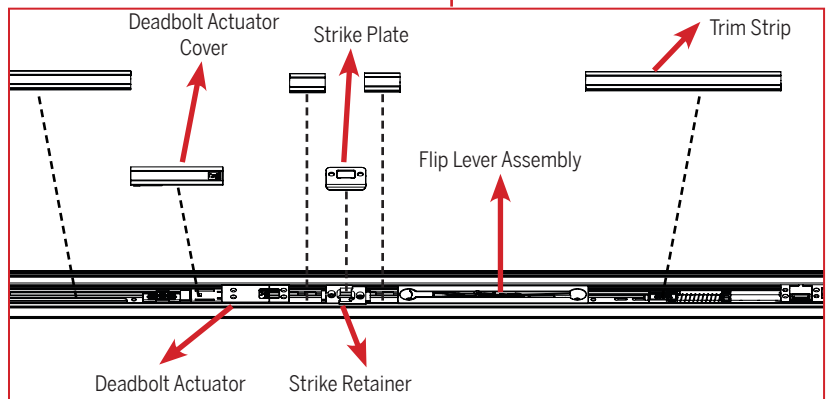
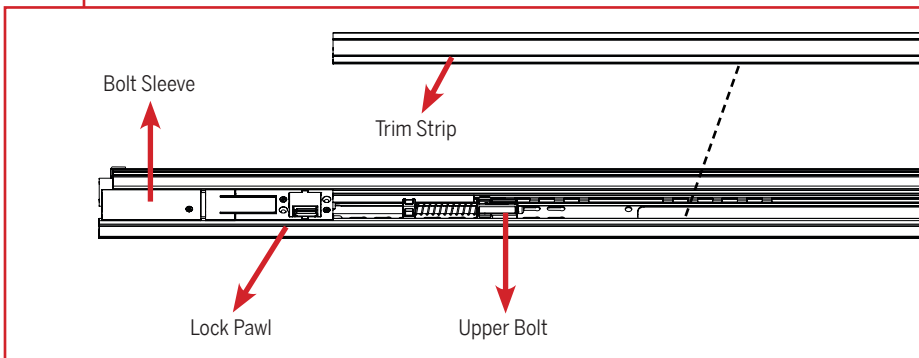
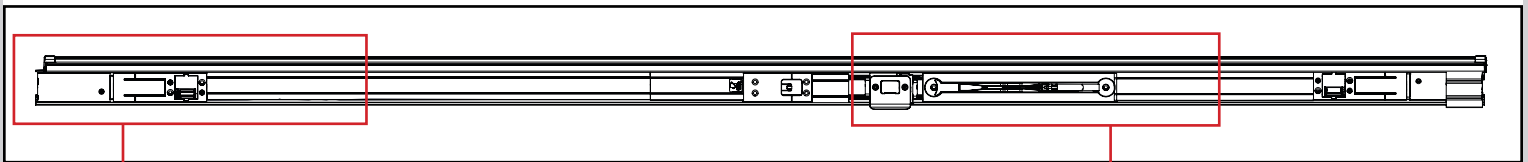
Recommended Parts for Lower Flush Bolts:



Endura Simple Solution™
Corner Pad



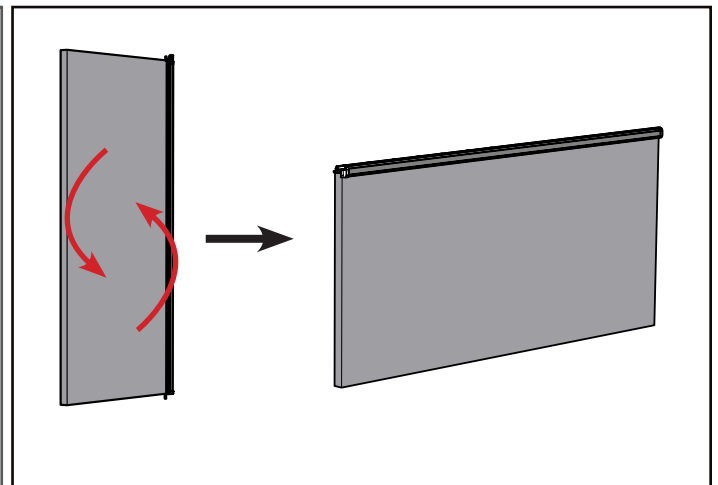
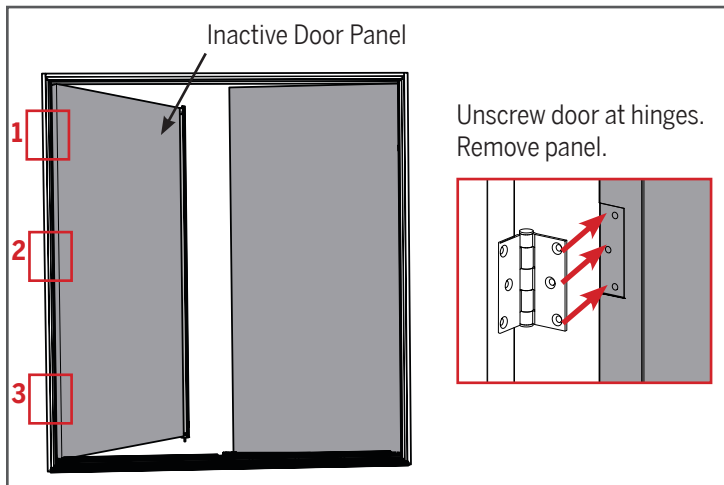
Product Reference Guide: Multi-Point Astragal Anatomy



SKU: BD-INST-MPA-BOLT
Revised: 02.07.2017

8817 West Market Street, Colfax, NC 27235
800.334.2006 Fax: 336.668.4478
www.enduraproducts.com

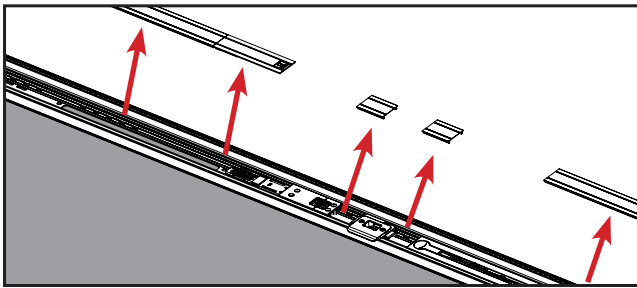
STEP 1: REMOVE DOOR PANEL FROM JAMB



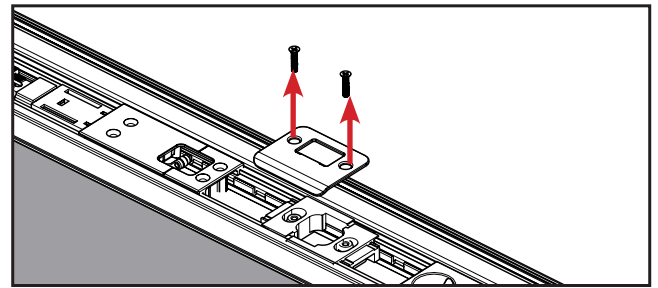
a. Remove the inactive door panel by unscrewing the door from the hinges.

b. Place the door panel horizontally against a strong support to access the astragal.

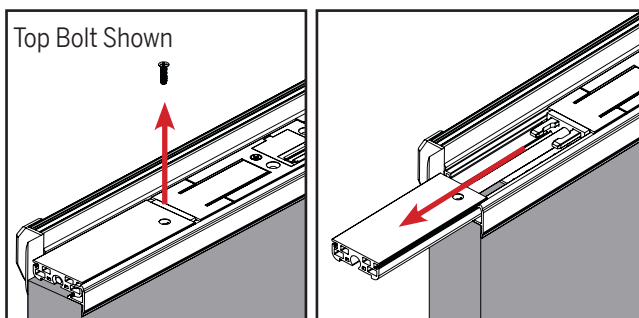
STEP 2: REMOVE ASTRAGAL FROM DOOR PANEL



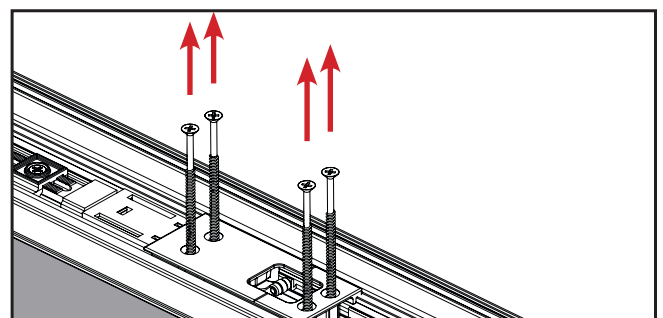
a. Remove the trim strip and the actuator cover along the entire astragal body. Note where the trim strip pieces belong, as you will have to return them to the exact position.



b. Unscrew the strike plate and remove.

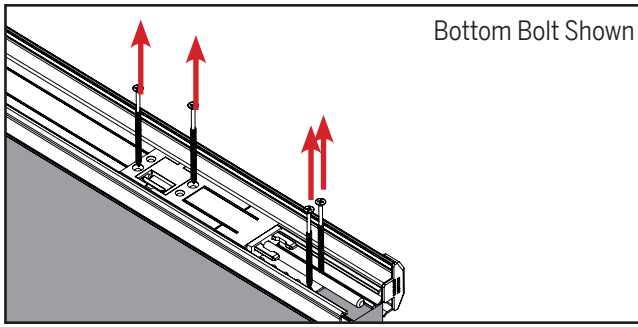


c. Unscrew and remove the bolt sleeves off the top and bottom bolts to reveal additional securing screws.

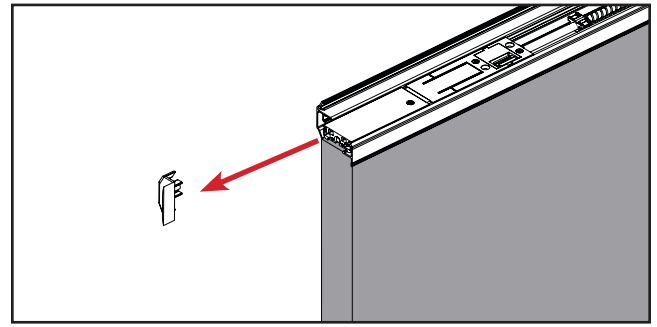


d. Remove the screws securing the deadbolt actuator to the door panel.

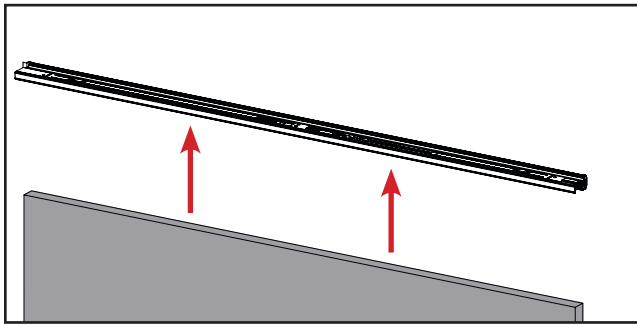
STEP 2 (CONT.): REMOVE ASTRAGAL FROM DOOR PANEL



e. Remove the screws securing the astragal to the door panel. The astragal may still be attached to the panel due to the presence of a strong tape adhering it to the panel.

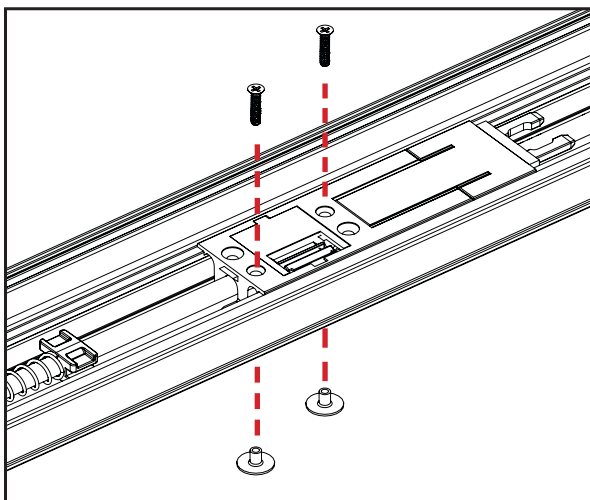


f. If still attached, remove the trim cap on the top of the door exposing a channel to grasp the astragal.

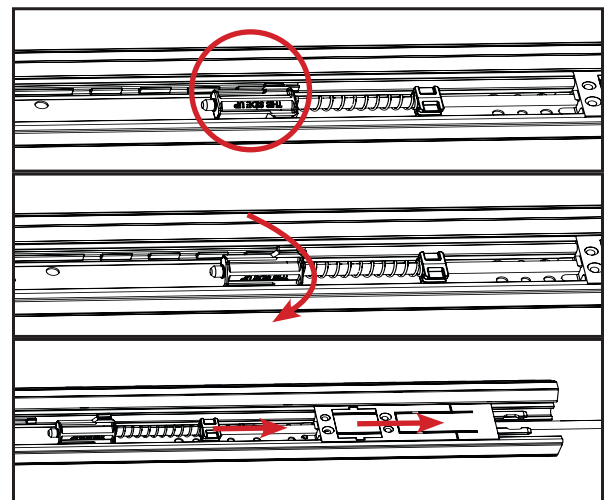


g. Pry the astragal off of the door panel. **We recommend you use help to do this.**

STEP 3: REMOVE THE DAMAGED SHOOT BOLT

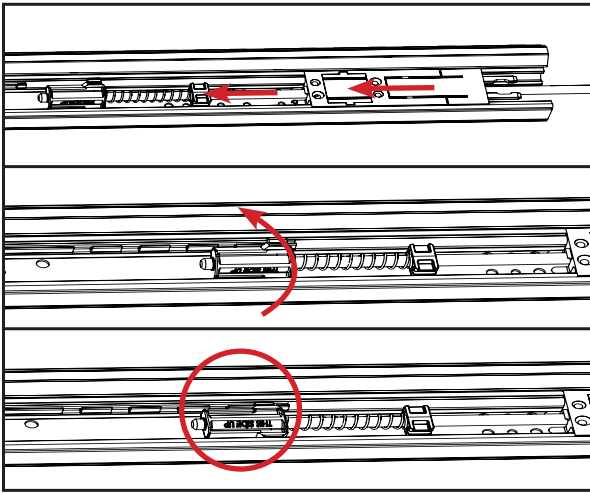


a. Loosen and remove screws that hold the bolt in place. T-nuts hold the screws on the back side of the astragal. Remove these and set aside.



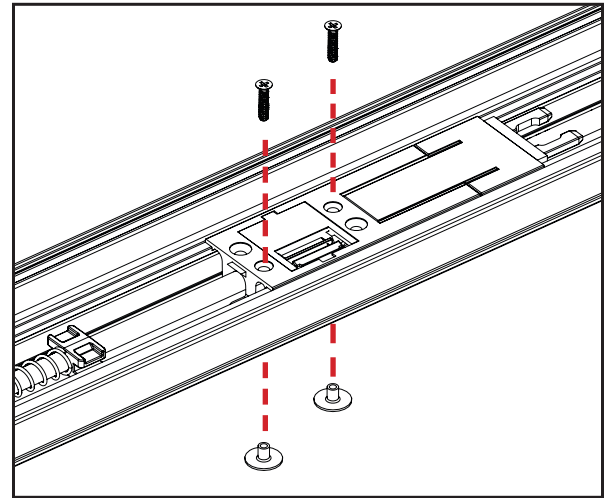
b. Slide the shoot bolt out by first angling the white head out of the channel and then sliding out of the astragal body.

STEP 4: REPLACE WITH NEW SHOOT BOLT



a. Place the new shoot bolt into the astragal in the exact position that you removed the old one from by angling and placing the white head into the channel.

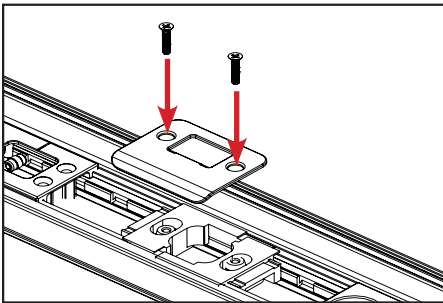
Do not install the bolt sleeve until Step 7a.



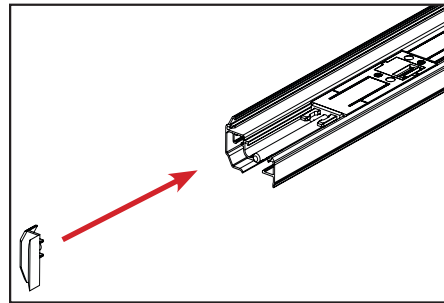
b. Secure the bolt in place using the T-nuts and smaller screws in the smaller screw holes.

⚠ Do not overtighten the screws

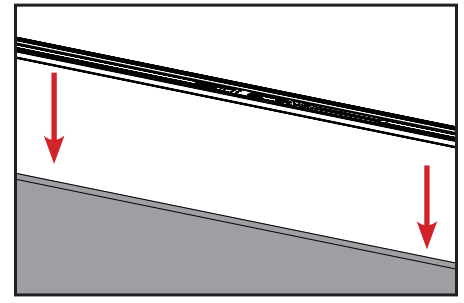
STEP 5: RETURN ASTRAGAL TO THE PANEL



a. Return strike plate onto the retainer and screw back in place.

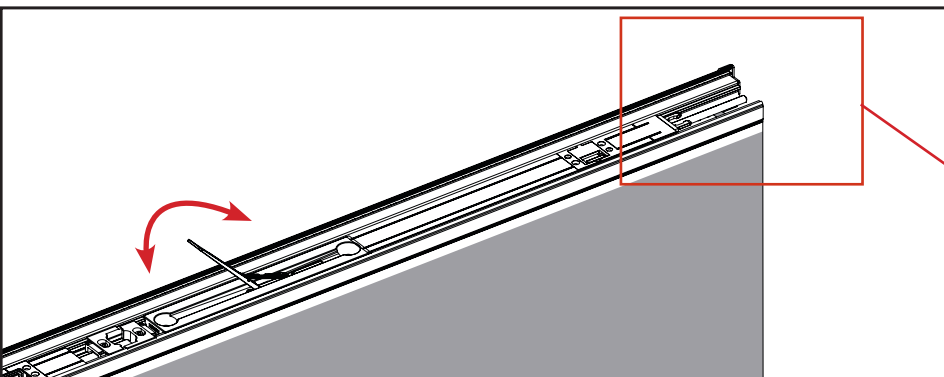


b. Return the trim cap on the ends of the astragal.

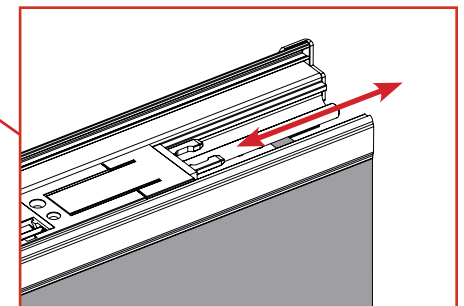


c. Return the astragal to the door panel and screw into place, returning all of the screws removed previously from the door panel.

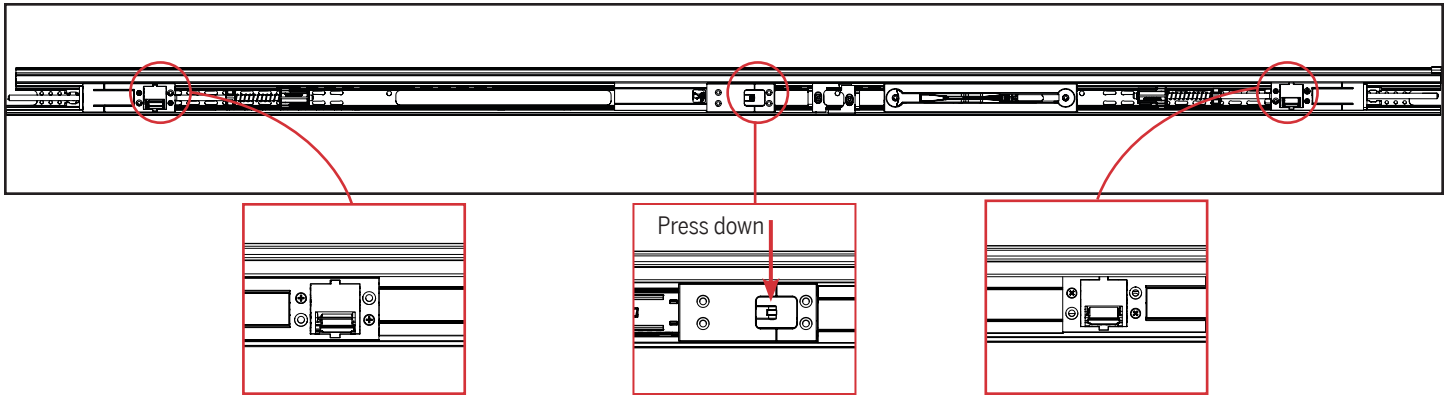
STEP 6: CONFIRM BOLT OPERATION



a. Operate the flip lever to ensure the bolt is actively engaged. Ensure that when the flip lever is in the unlocked position, the end of the bolt is either flush with the end of the astragal body or slightly inset.

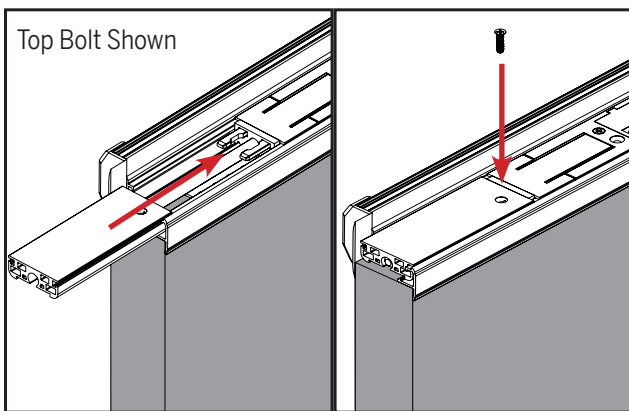


STEP 6 (CONT.): CONFIRM BOLT OPERATION

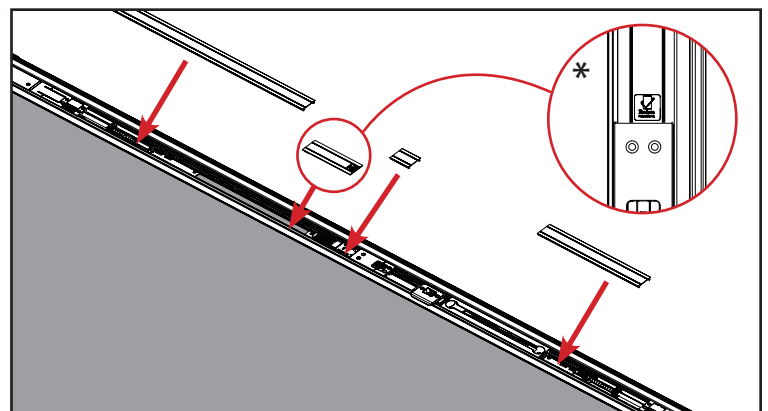


b. Press down on the actuator to ensure it engages the top and bottom lock pawls. Adjust the engagement head if necessary.

STEP 7: REINSTALL BOLT SLEEVES AND TRIM STRIP



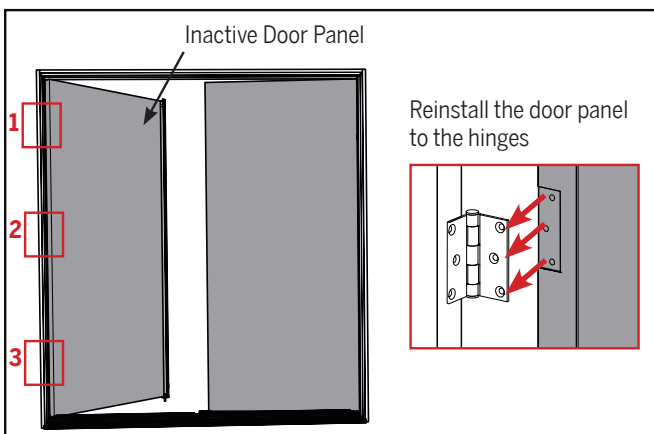
a. Return the bolt sleeves and secure them with the screws previously removed.



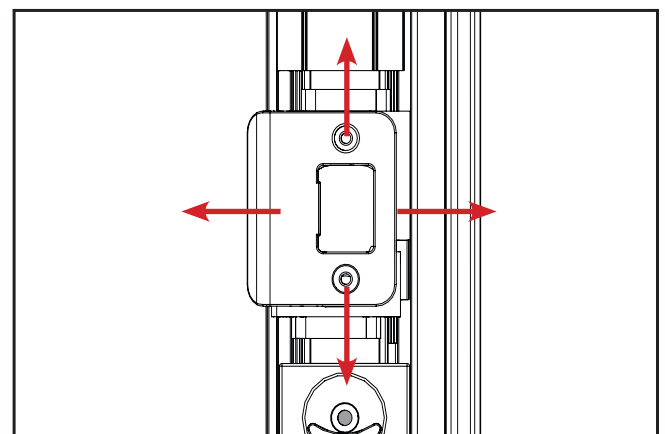
b. Return the trim strip on the door in the same locations that they originally were. Use this as a guide to adjust where the strike retainer will sit.

*Return actuator cover ensuring the logo side is towards the bottom of the door.

STEP 8: REINSTALL DOOR PANEL ON JAMB



a. Reinstall the inactive door panel by screwing the door panel back to the hinges.



b. Loosen screws and adjust the plate and retainer location, if necessary.