

Ultimate Flip Lever™ Astragal



8817 West Market Street
Colfax, NC 27235 | 800.334.2006
www.enduraproducts.com

Cut Down Instructions

Tools Required:

- Pencil/Marker
- Tape Measure
- Chop Saw
- Flathead Screwdriver
- Phillips Screwdriver

Notes:

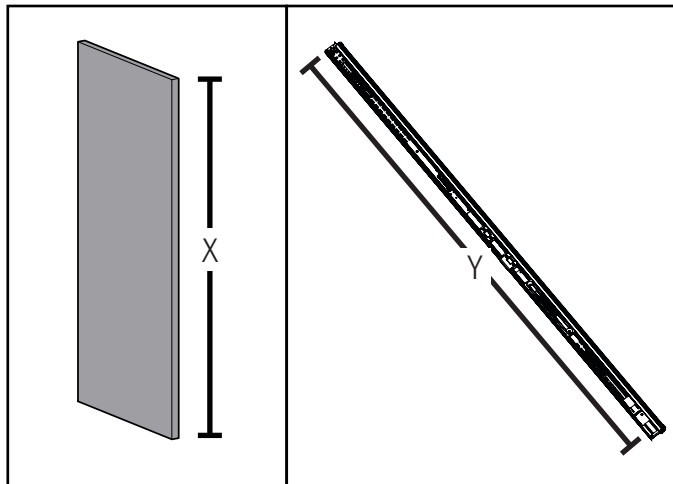
- All cuts should be from the **top of the astragal**.
- Ultimate Flip Lever Astragals can be cut down a maximum of 7".
- Bolts should be in the retracted position before beginning.

Optional Parts:



Tail Cap

STEP 1: INITIAL PREPARATION



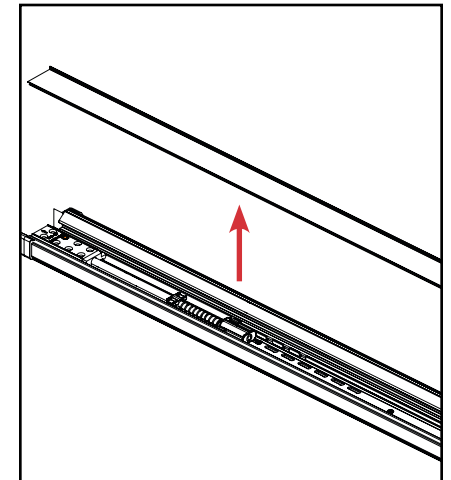
a. Measure the length of the door panel (X) and the length of the astragal (Y) on the **narrow edge**.

b. Round the length of the door panel (X) and the length of the astragal (Y) down to the closest inch. Subtract the rounded length of the door panel from the rounded length of the astragal to determine your **index number**.

Example:

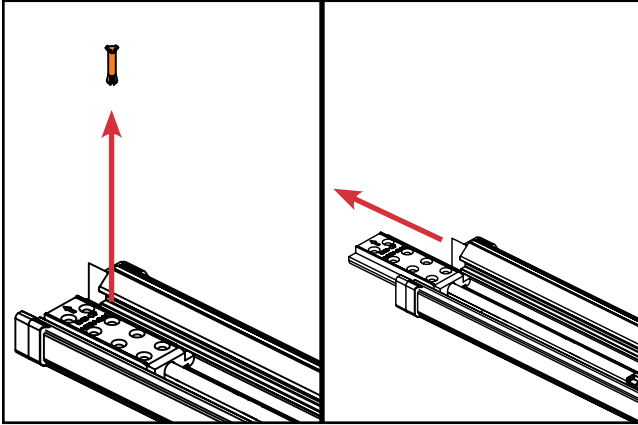
To determine index number:

- If the length of the astragal is 79-1/4", round it down to **79"**.
- If the length of the door panel is 73-3/4", round it down to **73"**.
- $79" - 73" = 6$ is the index number.

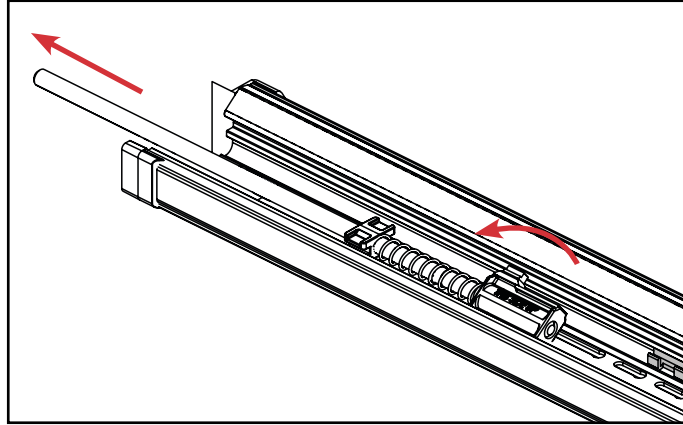


c. If present, remove the trim strip from the astragal body.

STEP 1 (CONT.): INITIAL PREPARATION



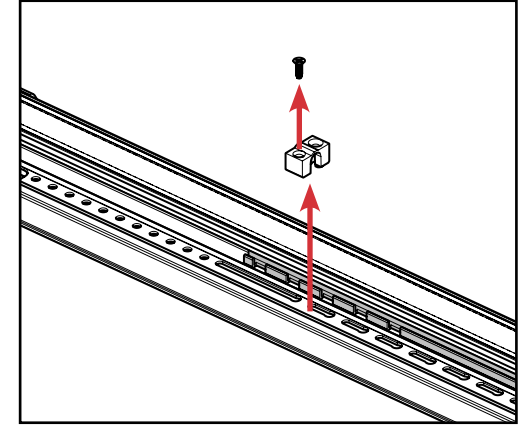
c. Remove the orange securing pin from the upper bolt sleeve. Slide the bolt sleeve out of the astragal.



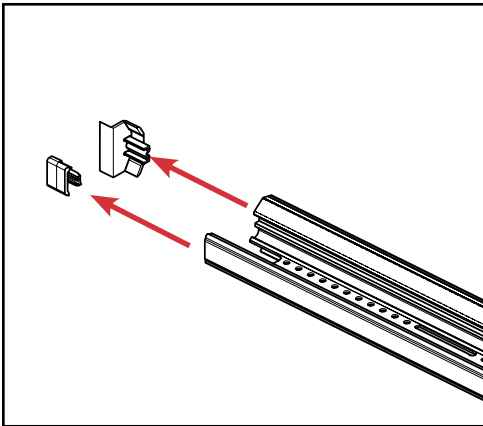
d. Rotate the bolt head out of the channel in the astragal and slide the bolt assembly out of the astragal.



Ensure the upper bolt is in the unlocked position before removing.

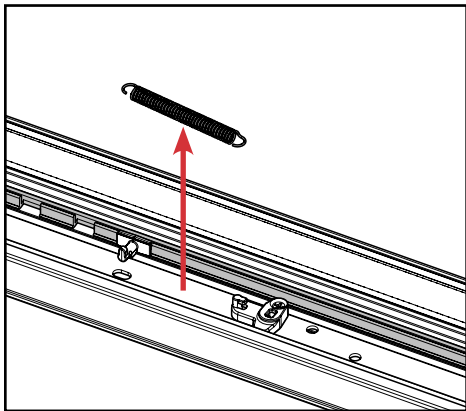
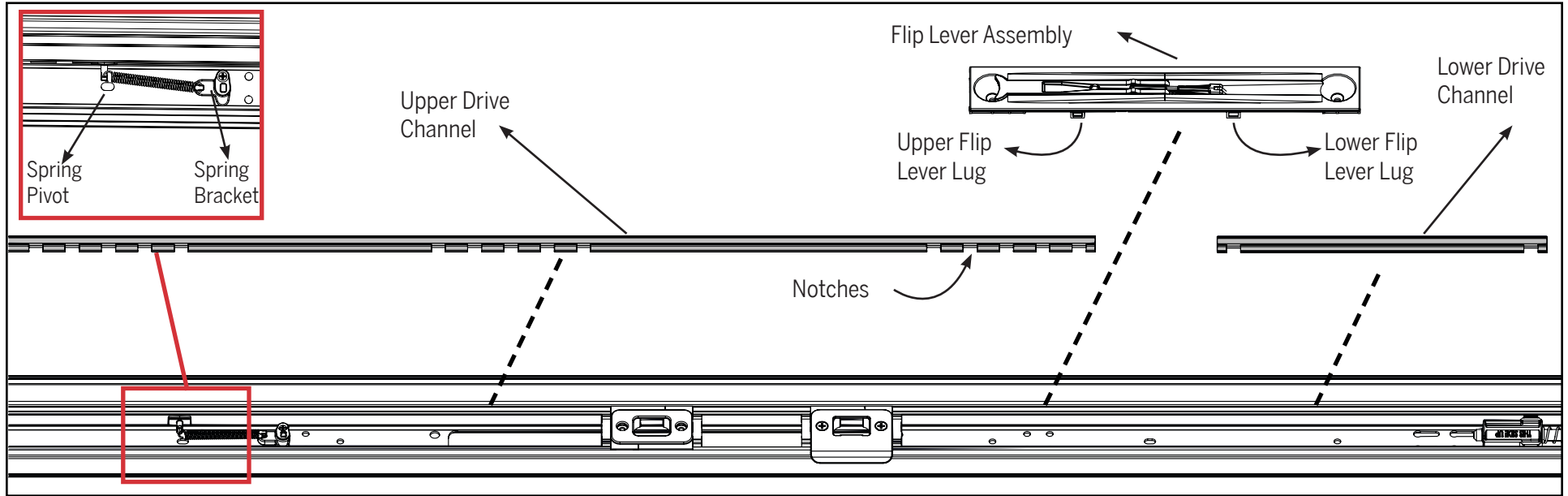


e. Remove the U-clip from the astragal body and set aside.

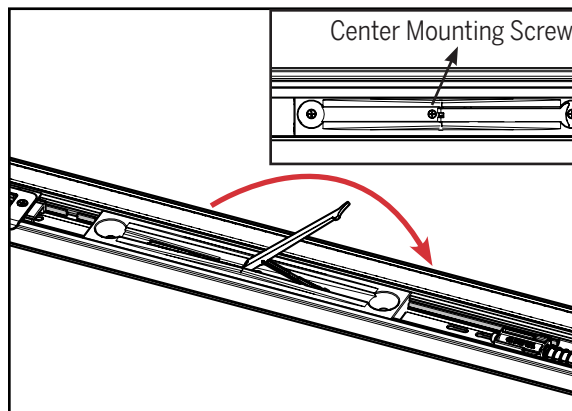


f. Remove the upper trim cap, and tail cap if present, from the astragal body.

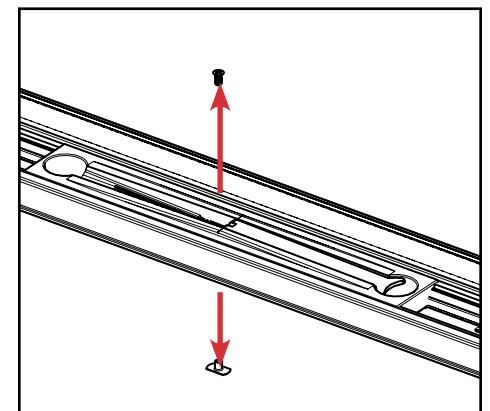
STEP 2: REMOVE THE FLIP LEVER ASSEMBLY



a. Disengage the spring from the spring bracket and spring pivot and set aside.

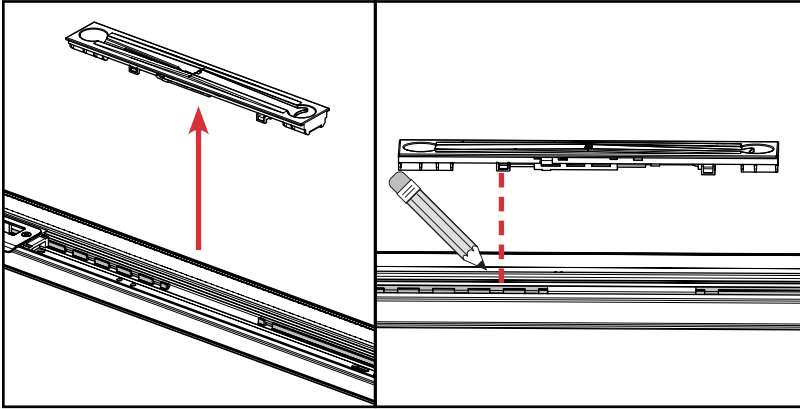


b. Engage the flip lever into the locked position to access the center mounting screw.



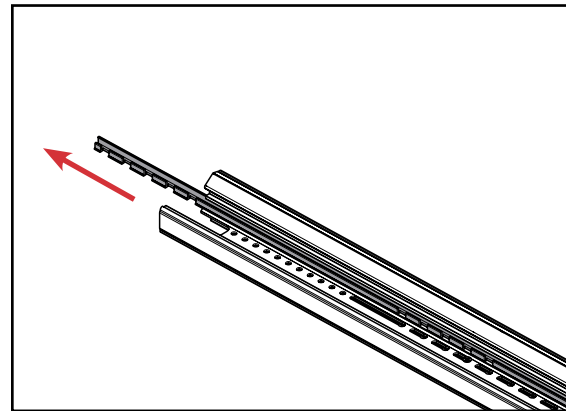
c. Remove the mounting screw and T-nut from the center of the flip lever assembly and set it aside.

STEP 2 (CONT.): REMOVE THE FLIP LEVER ASSEMBLY

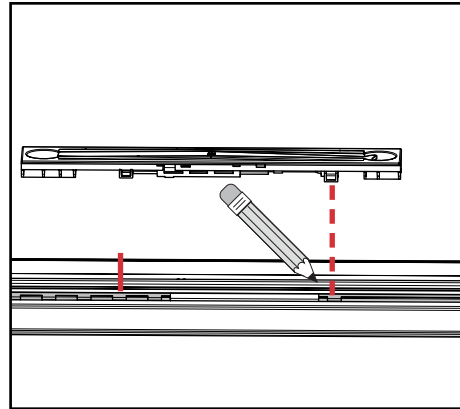


d. Remove the flip lever assembly from the astragal body by lifting it straight up from the astragal body. As you remove the flip lever assembly, mark the location on the astragal body where the upper flip lever lug aligns with a notch in the upper drive channel.

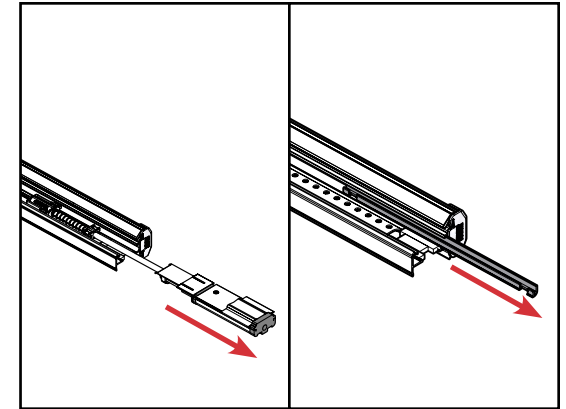
Note: The marked notch on the upper drive channel may not be the last notch.



g. Remove the upper driver bar from the astragal body.



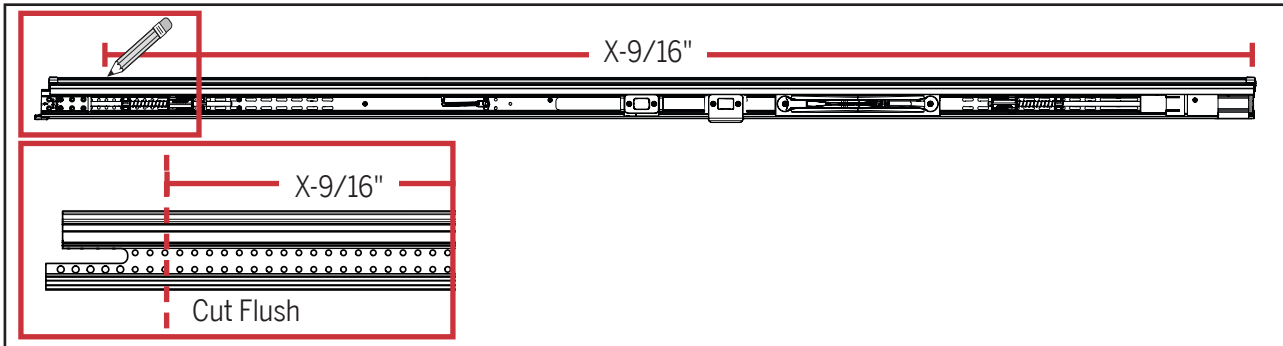
e. Make a mark on the astragal body where the lower flip lever lug aligns with the notch in the lower drive channel.



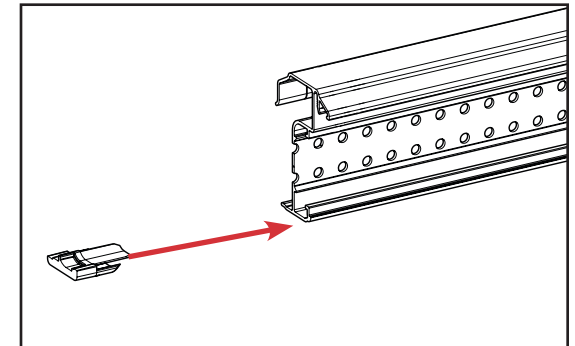
f. Remove the lower flush bolt and the lower drive bar from the astragal body.

STEP 3: CUT ASTRAGAL TO SIZE

IF YOU **DO** HAVE A TAIL CAP AVAILABLE:

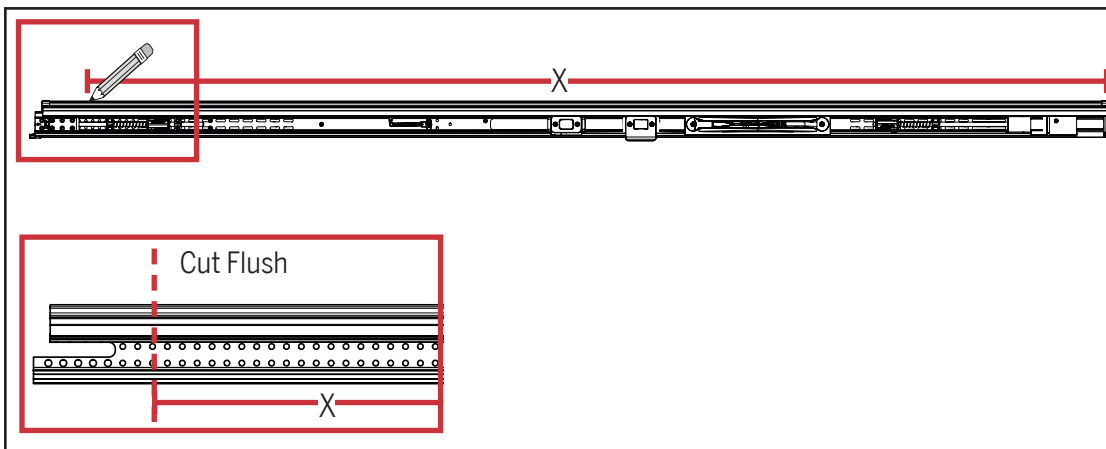


a. Starting at the **bottom** of the astragal and measuring along the **wide side**, measure and mark (X- 9/16").Cut the astragal flush at this location.

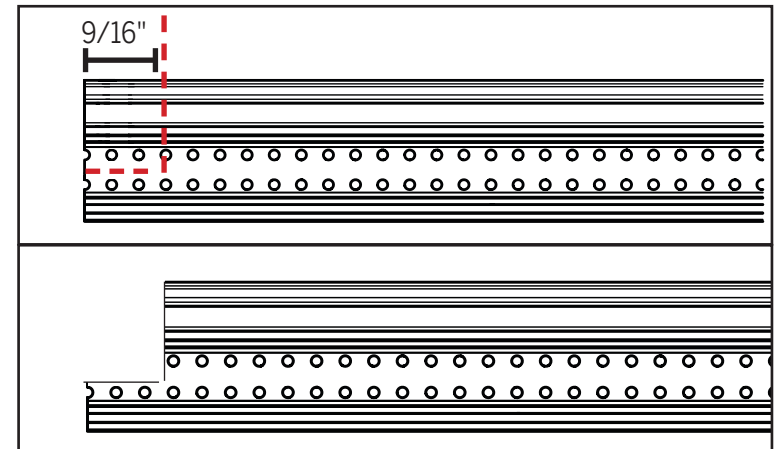


b. Insert the tail cap onto the **narrow side** of the astragal body. You may receive two tail caps, but only one will fit.

IF YOU **DO NOT** HAVE A TAIL CAP AVAILABLE:

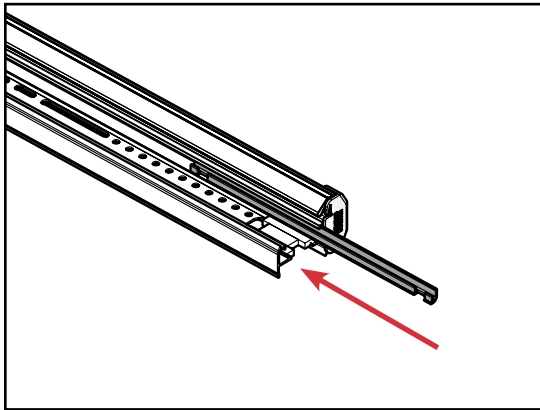


a. Starting at the **bottom** of the astragal and measuring along the **narrow side**, measure and mark (X) on the astragal .Cut the astragal flush at this location.

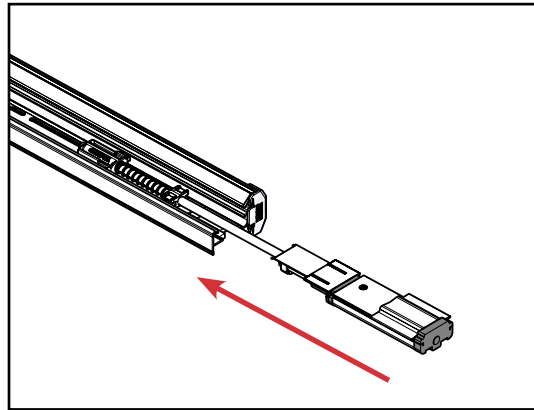


b. To renotch the astragal measure 9/16" from the cut end of the astragal. Using a chop saw, cut at this point, until the space between the rows of holes in the astragal body. **Do not cut it flush.**

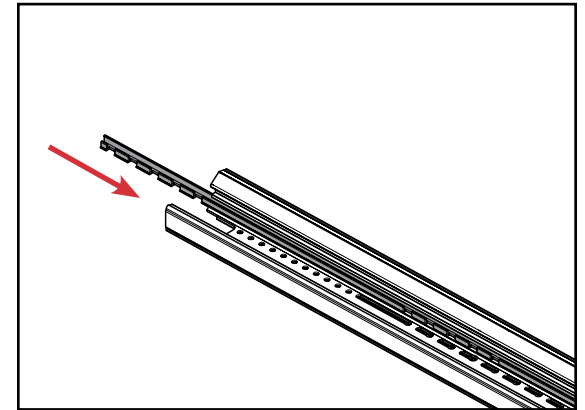
STEP 4: REINSTALL THE FLIP LEVER ASSEMBLY (ONLY IF INDEX NUMBER IS GREATER THAN 4)



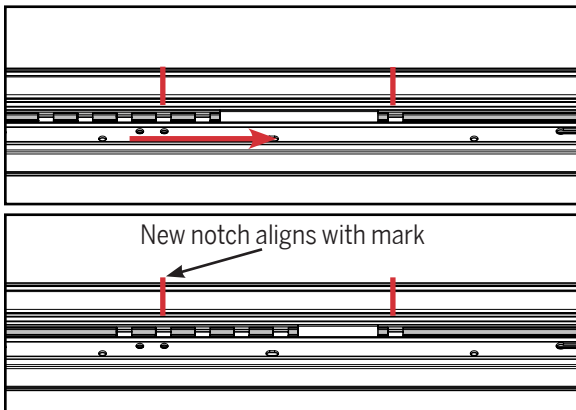
a. Reinstall the lower drive back into the astragal body.



b. Reinstall the lower bolt into the astragal body, connecting the lower drive lug into the lower drive bar.



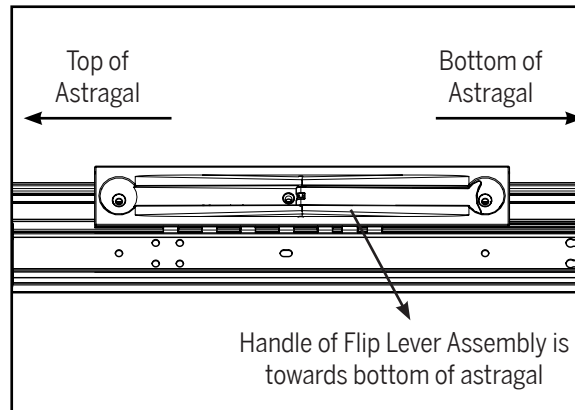
c. Slide the upper drive bar into the astragal body



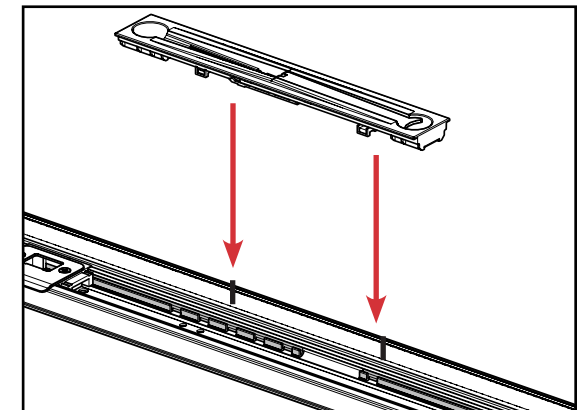
d. Subtract 4 from your index number determined in Step 1a. Slide the upper drive channel down an equivalent number of notches so that a new notch lines up with the marks previously made.

Example:

If your index number was 6, slide the upper drive channel down 2 notches because $6-4=2$.



e. Align the flip lever assembly with the astragal body so that the handle arm points towards the bottom of the astragal.

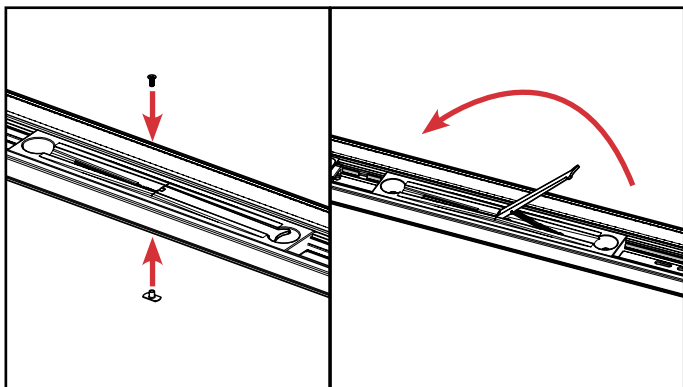


f. Insert the flip lever assembly into the astragal body, ensuring the flip lever lugs align with the marks made on the astragal body. Ensure the flip lever assembly sits flush in the body with the lugs securely inserted in the notches.

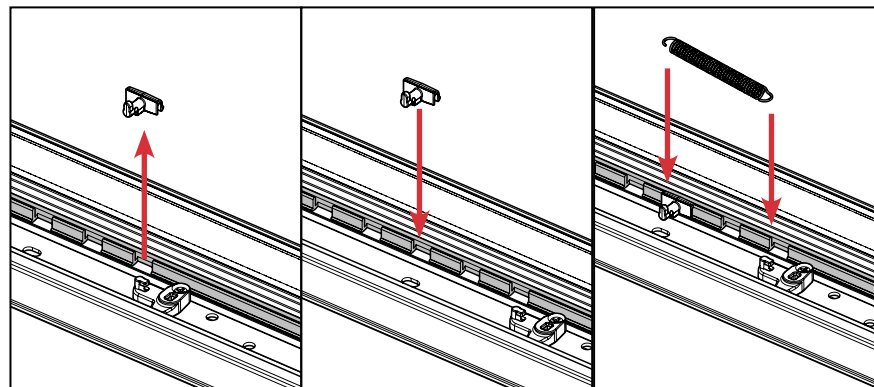


Do not operate the flip lever until the screw is reinserted.

STEP 4 (CONT.): REINSTALL THE FLIP LEVER ASSEMBLY (ONLY IF INDEX NUMBER IS GREATER THAN 4)



g. Once properly seated, the flip lever assembly will rest evenly on the drive channels. Holding the T-nut into place below the flip lever, reinstall the center mounting screw. When secured, disengage the flip lever.

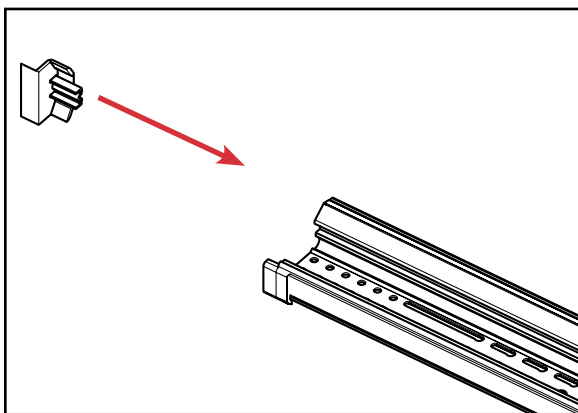


h. Lift up the spring bracket and move it towards the top of the astragal the same number of notches the upper drive channel was moved in Step f. Once the location of the spring bracket is set, reinstall the spring between the spring pivot and spring bracket.

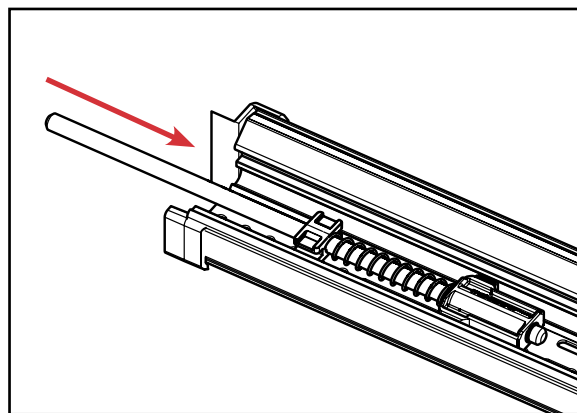
Example:

If your index number was 6, move the spring bracket up 2 notches because $6-4=2$.

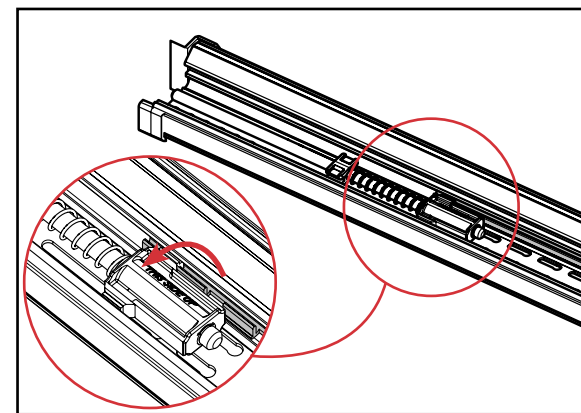
STEP 5: REINSTALL THE BOLTS



a. Reinstall the upper trim cap onto the top of the astragal body.

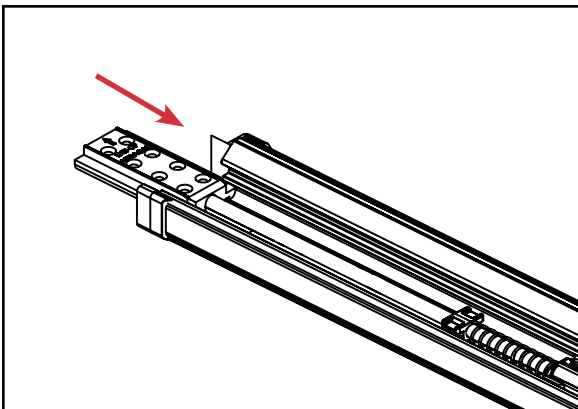


b. Slide the upper bolt assembly into the astragal body until the end of the bolt is flush with the end of the astragal.

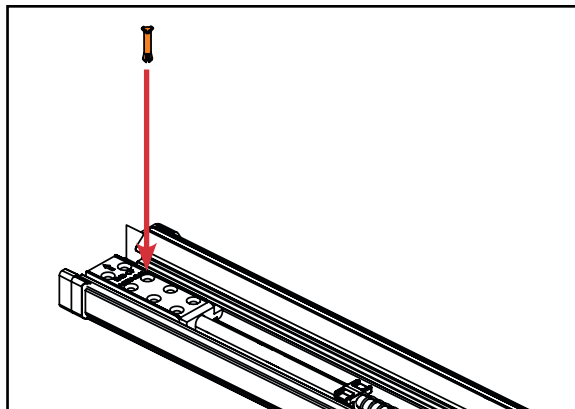


c. Check that the bolt head is in the correct orientation. "THIS SIDE UP" printing should be visible. Rotate the bolt head into the closest notch in the upper drive channel.

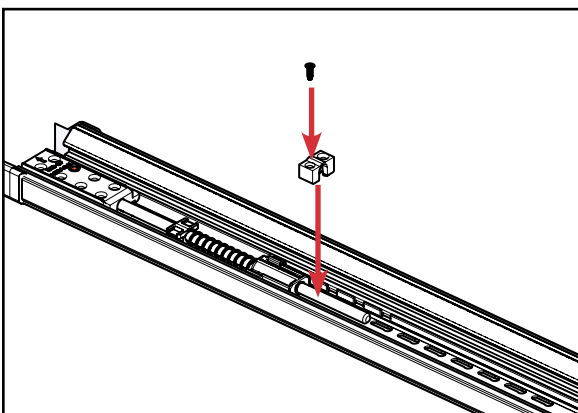
STEP 5 (CONT.): REINSTALL THE BOLTS



d. Slide the upper bolt sleeve into the astragal body until it is flush with the end of the body.



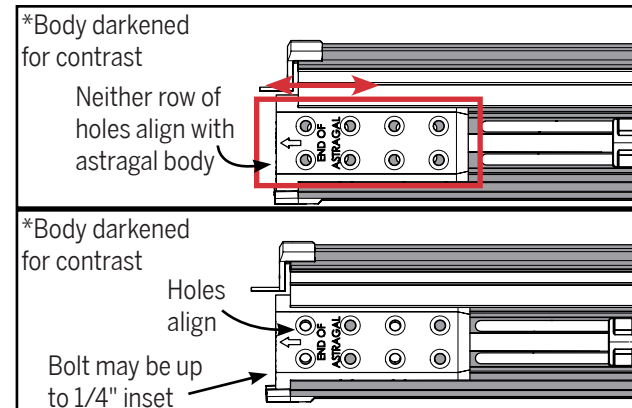
e. Insert the orange securing pin through the bolt sleeve into the hole that aligns with the holes in the astragal body.



g. Reinstall the U-clip over the upper bolt pin. Install the clip using the closest hole to the lug.



Make sure the bolt is retracted when reinstalling the clip

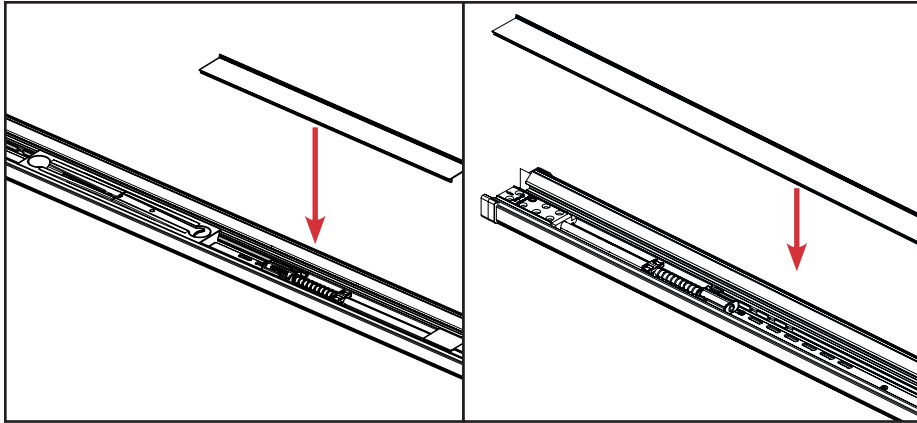


f. The holes may not initially align. Adjust the bolt sleeve until the first or second row of holes aligns with the holes in the astragal body. Insert an orange securing pin into the hole that aligns.

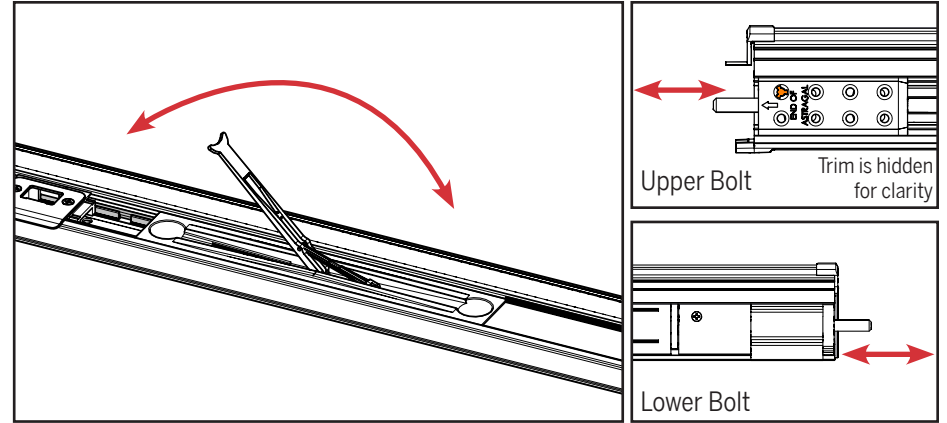


The bolt sleeve should never be more than 1/4" inset from the top of the astragal.

STEP 6: CONFIRM FLIP LEVER OPERATION



a. Reinsert the presized trim strip between the bottom bolt and the flip lever assembly. Insert the longer piece of trim strip on the top part of the astragal, ensuring it completely covers the upper bolt head. (Note the trim will not securely fit over the other components, but do not cut it at this time.)



b. Operate the flip lever and ensure the bolts move between engaged and disengaged positions.