

Ultimate Flip Lever™ Astragal

Prehanger Installation Instructions



8817 West Market Street
Colfax, NC 27235 | 800.334.2006
www.enduraproducts.com

Tools Required:

- Flathead Screwdriver
- Shears
- Phillips Screwdriver
- Tape Measure

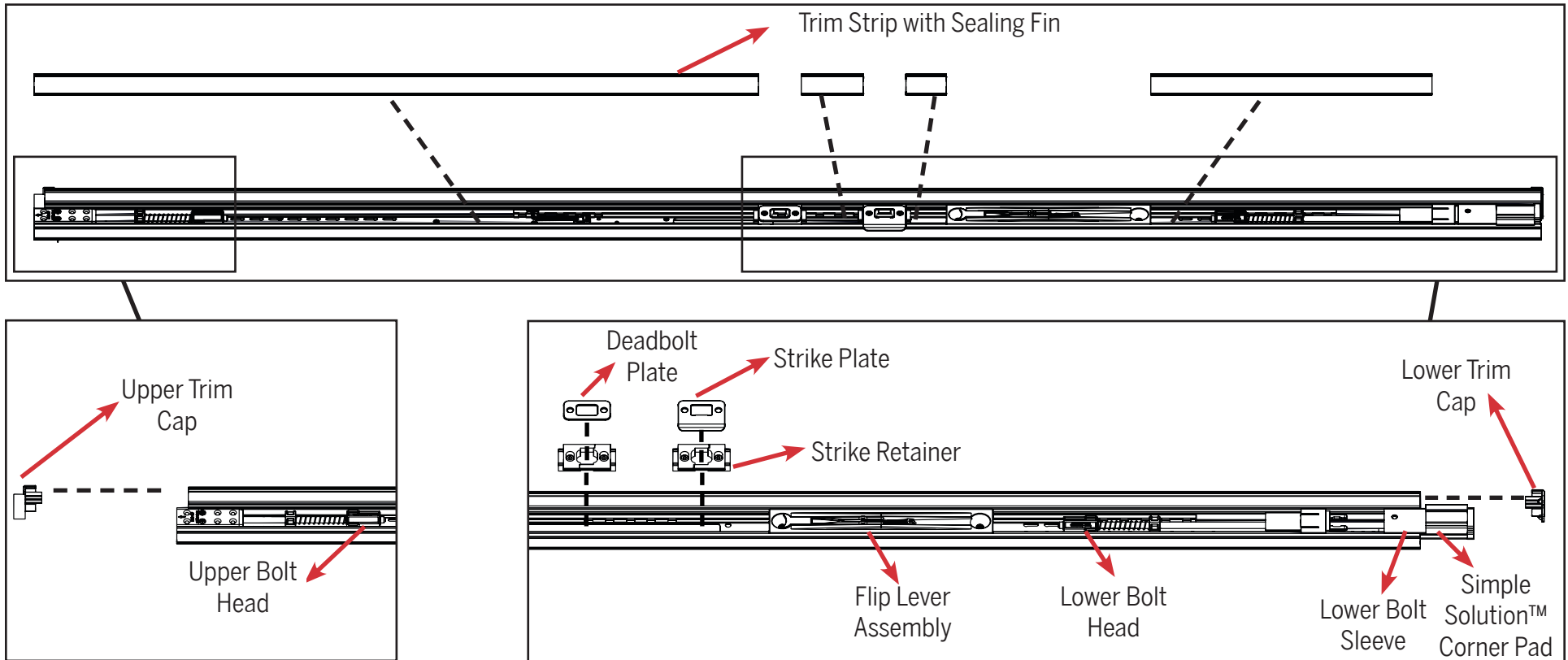
Kit Includes:

- Full Astragal
- Full Length Trim Strip
- Screw Pack
- Field Pack

Screw Pack Includes:

- (8) #8 x 1" Screws
- (2) #8 x 1-1/2" Screws

Product Reference Guide

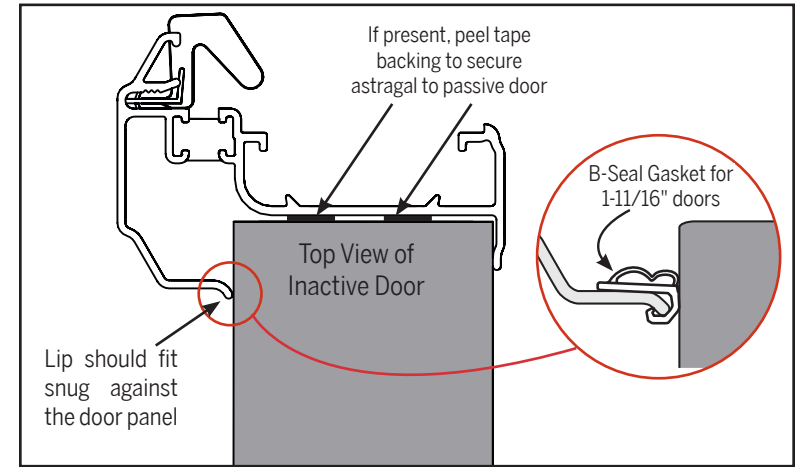


Rev. Date: 10.31.2017
©2017 Endura Products, Inc.
U.S. Patents: 9,097,043 and other patents pending
#211159-FLPREHINST

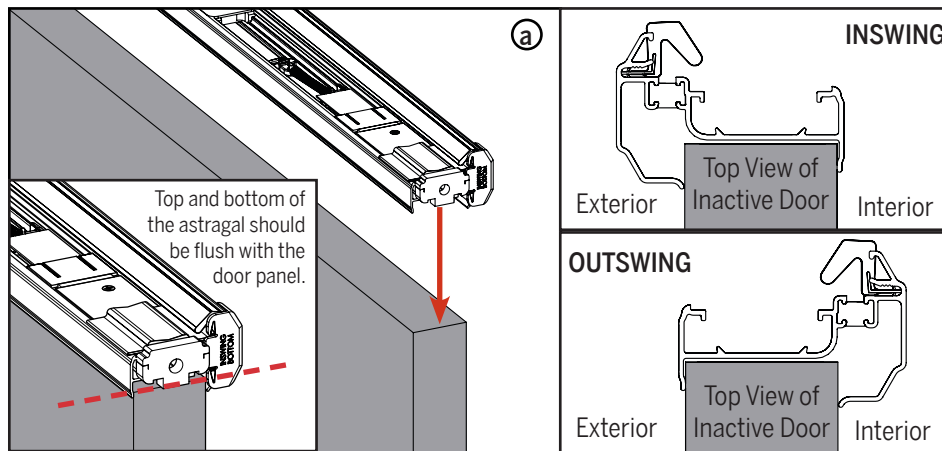
INITIAL PREPARATION

BEFORE YOU BEGIN:

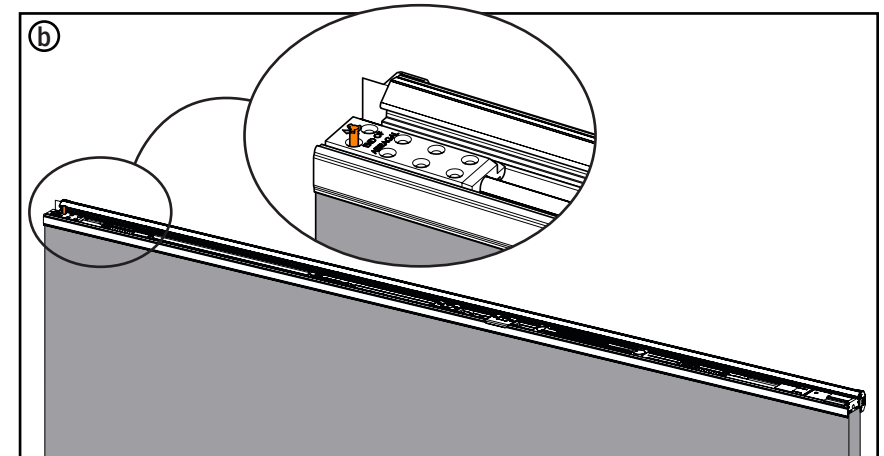
- Ensure that you have the correct length and handing of astragal for your door.
- Remove the trim strip and screw pack from the astragal body and set aside.
- If tape is present on the back of the astragal, peel off the backing.
- Confirm the thickness of your door panel. For door panels with thicknesses of **1-11/16"**, apply the available B-seal gasket to accommodate the gap between the panel face and astragal.



STEP 1: PLACE ASTRAGAL ON DOOR PANEL



a. Place the astragal onto the door panel. For **Inswing** doors, the wide side of astragal goes on outside of the door. For **Outswing** doors, the wide side of astragal goes on inside of the door. The top and bottom of the astragal should be flush with the top and bottom of the door panel.



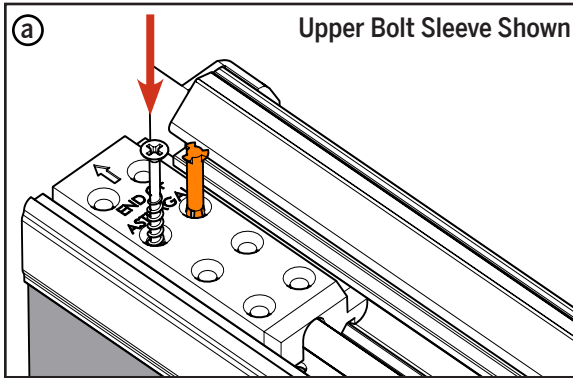
b. Press the astragal down along the length of the panel. An orange securing pin will pop up in the upper bolt sleeve. **Do not remove the pin at this time.**



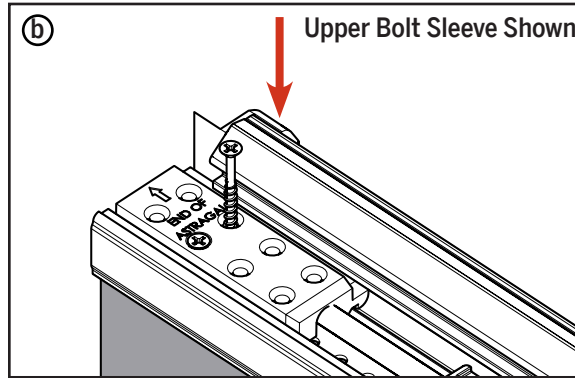
If present, ensure the backing of the tape is removed before pressing down.

STEP 2: SECURE ASTRAGAL TO DOOR PANEL

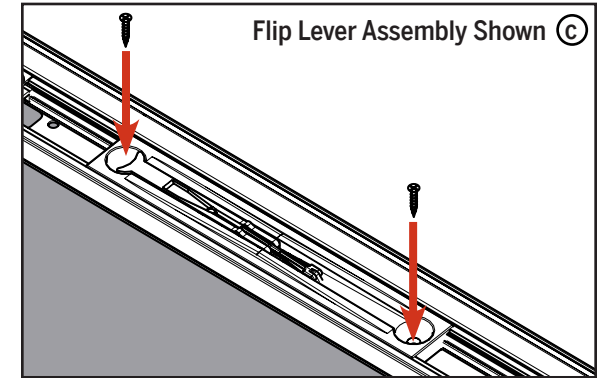
Please refer to the Product Reference Guide on Page 1 to identify the different components within the astragal. For Step 2, only tighten screws until flush with mating surfaces. **Do not overtighten the screws.**



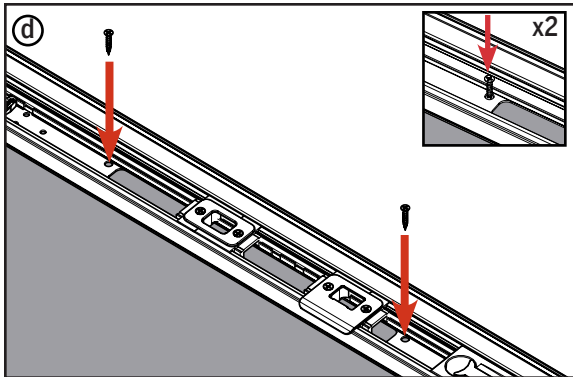
a. Keeping the orange securing pin in place on the upper bolt sleeve, install a #8 x 1-1/2" screw in the hole adjacent to the orange securing pin.



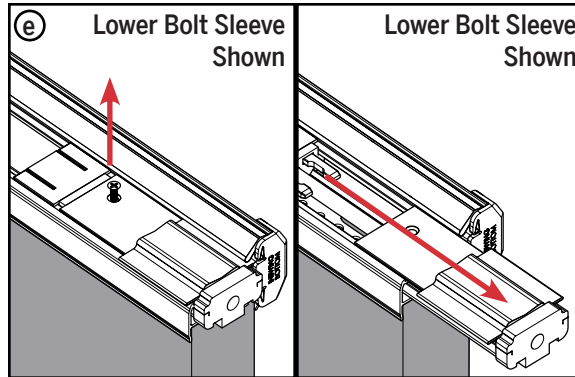
b. Remove the orange securing pin from the upper bolt sleeve and replace it with a #8 x 1-1/2" screw.



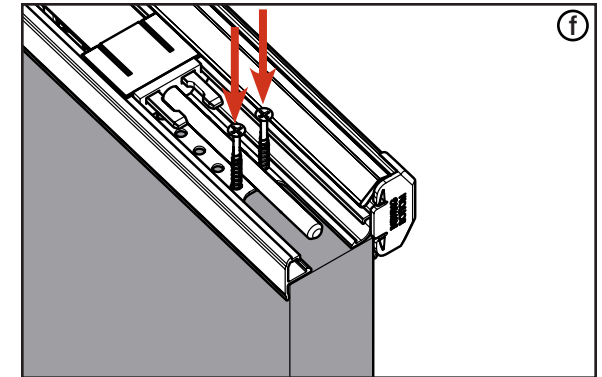
c. Install two #8 x 1" screws to secure the flip lever assembly into the door panel.



d. Install two #8 x 1" screws on either side of the cutout in the astragal body behind the strike and deadbolt plate.

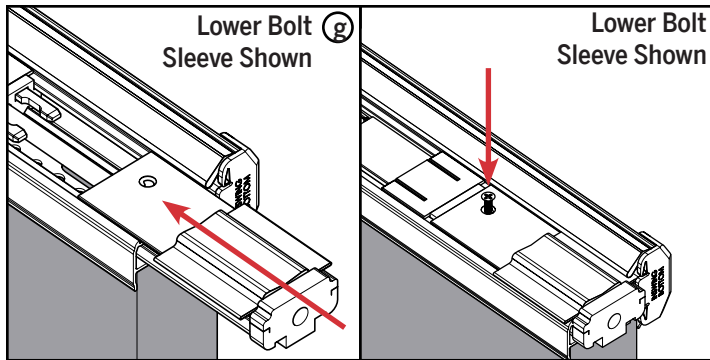


e. Remove the screw securing the lower bolt sleeve and slide the bolt sleeve out.



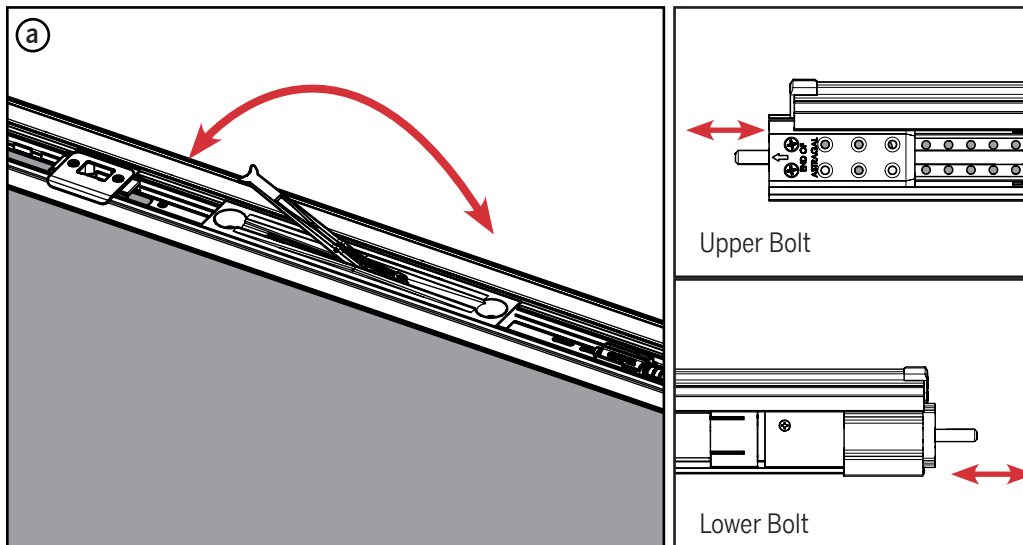
f. Install two #8 x 1" screws on either side of the bolt pin above the U-shaped cutout in the astragal body.

STEP 2 (CONT.): SECURE ASTRAGAL TO DOOR PANEL



g. Return the bolt sleeve onto the lower bolt and reinstall the screw securing the bolt sleeve.

STEP 3: CONFIRM FLIP LEVER OPERATION



a. Engage the flip lever and ensure both the upper and lower bolts move in and out smoothly.

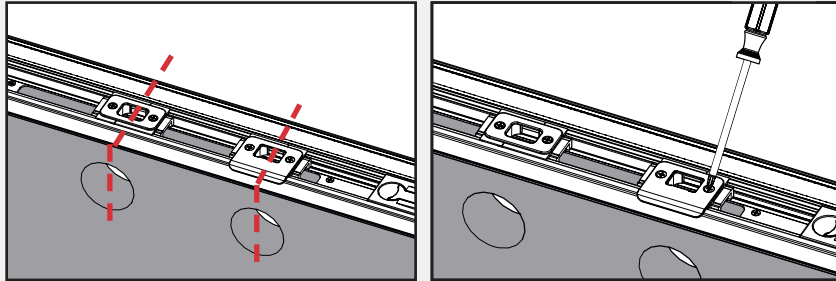
b. If the bolts **do not** operate smoothly:

- Check for bolt obstructions.
- Check that the screws in the astragal are not overtightened in the astragal body. The top of the screw should be flush with the astragal body.
- If the lever operation is difficult, slightly loosen the screws securing the flip lever assembly.

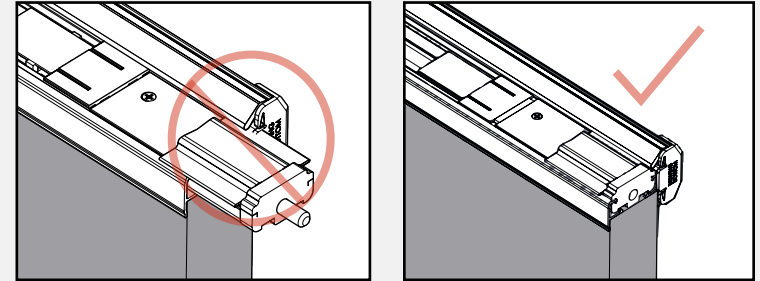
STEP 4: SIZE AND INSTALL TRIM STRIP

Trim strip is included as a single, full-length piece and must be sized to fit appropriately between the astragal components. For each segment, measure, cut and install the trim strip, ensuring the sealing fin side of the trim strip is installed on the side closest to the weatherstrip on the astragal.

Before measuring the length between astragal components, check the following:

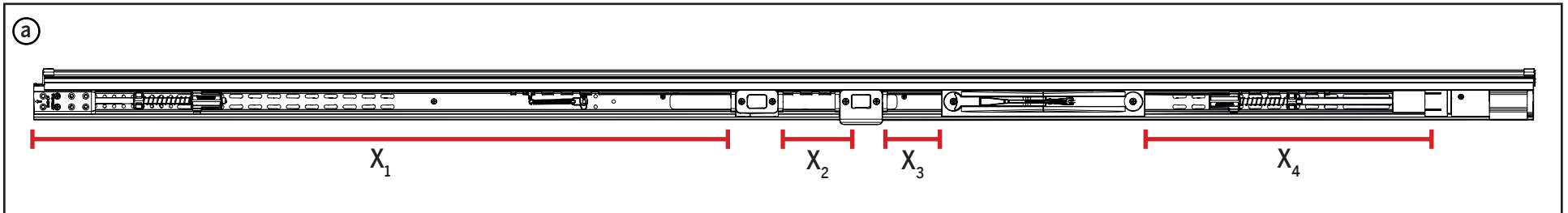


Secure the strike and deadbolt plates in their proper location by aligning them with the crossbore holes and tighten the screws into the retainers.

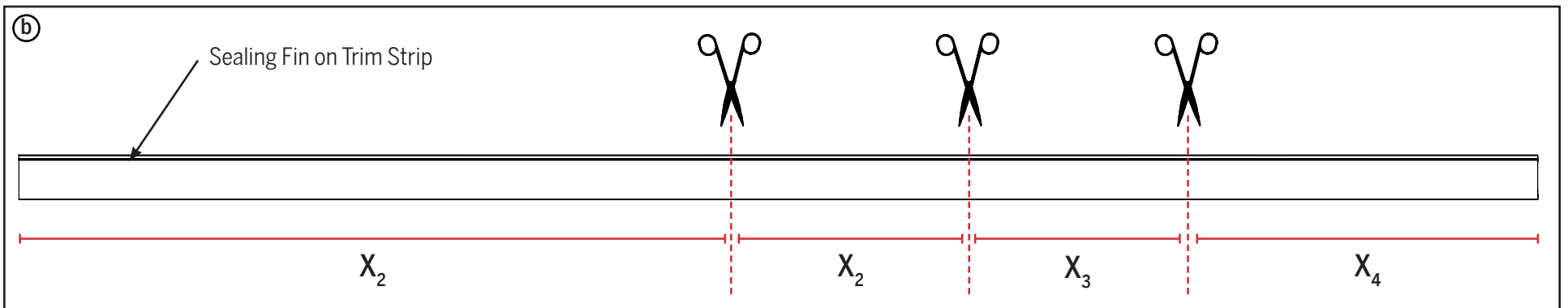


Ensure the upper and lower bolts are in the retracted position.

a. Measure the length between the astragal components.

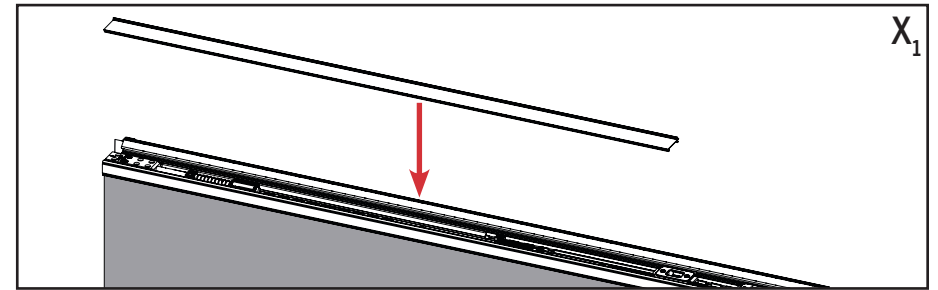
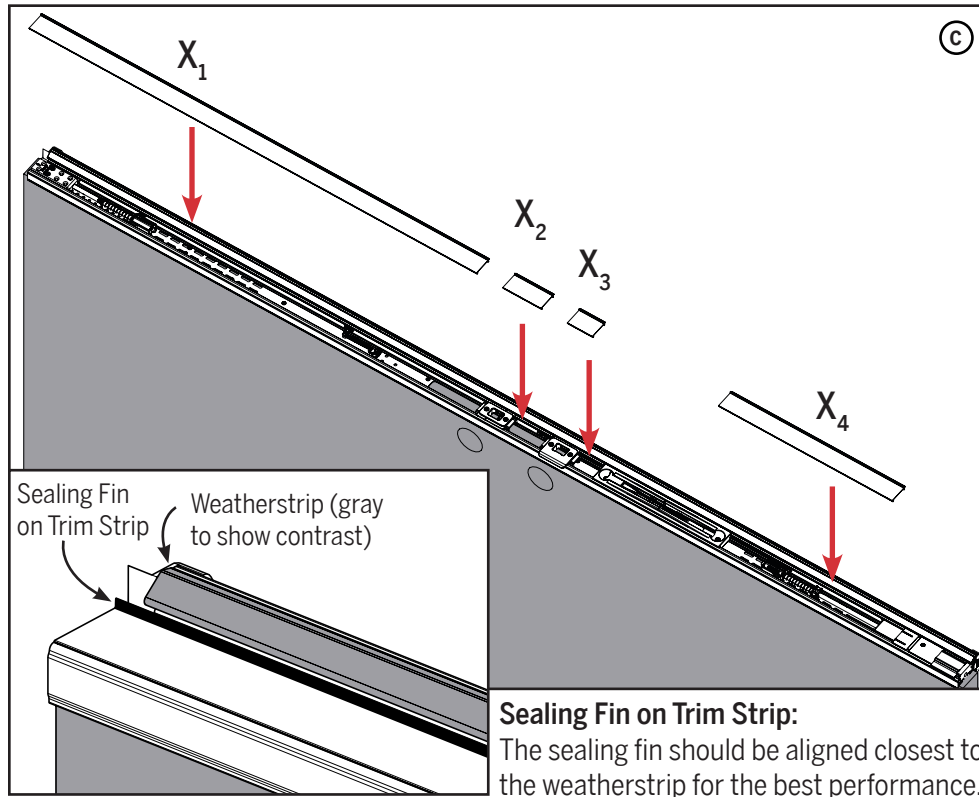


b. Cut the trim strip into appropriate sizes.

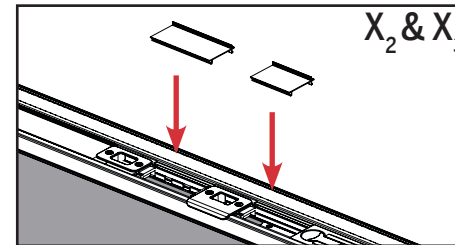


STEP 4 (CONT.): SIZE AND INSTALL TRIM STRIP

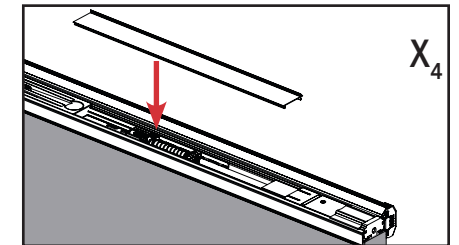
c. Install trim strip into astragal body.



Upper Trim Strip: Align X_1 with the top of the astragal and the top of the deadbolt plate. Press down to secure.

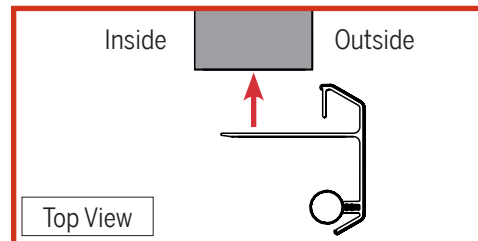
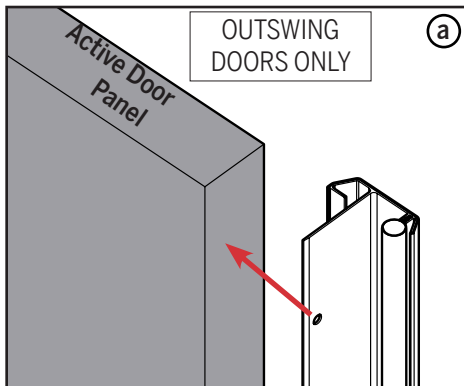


Middle Trim Strips: Align X_2 with the bottom of the deadbolt plate and the top of the strike plate. Press down to secure. Align X_3 with the bottom of the strike plate and the top of the flip lever assembly. Press down to secure.

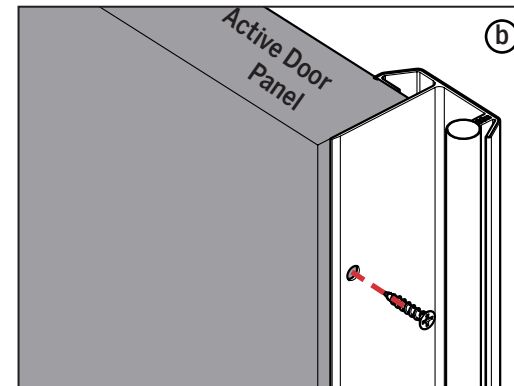


Lower Trim Strip: Align X_4 with the bottom of the flip lever assembly and the top of the lower bolt. Press down to secure.

STEP 5: INSTALL OPTIONAL SECURITY FLANGE (OUTSWING ONLY)



a. Position the security flange on the active door panel with the wide flange facing the outside of the house. Peel the tape backing and secure against the active panel.



b. Insert the screws through the predrilled holes to secure the flange snug against the face of the active door.