

Endura Ultimate Flip Lever Astragal Deadbolt/Strike Plate and Retainer Kit

Replacement Instructions

DEADBOLT PLATE & RETAINER



STRIKE PLATE & RETAINER



Tools Required:

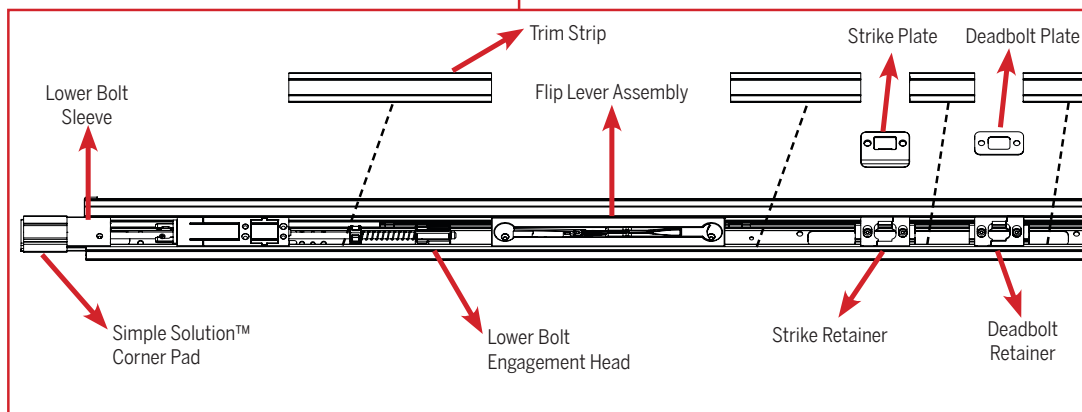
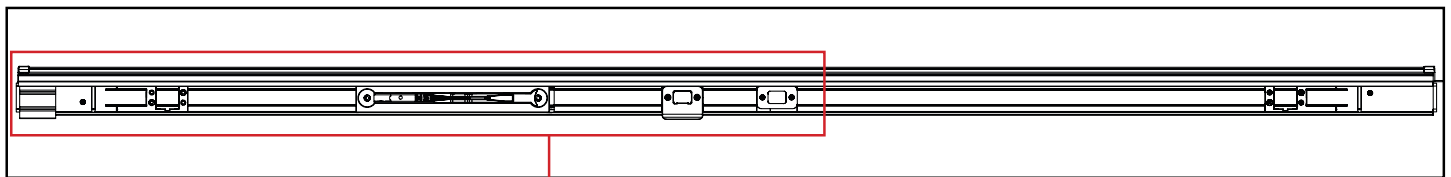


Phillips
Screwdriver

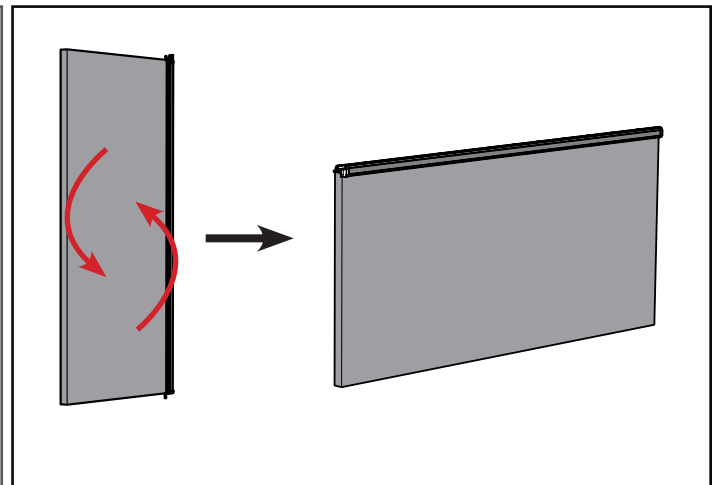
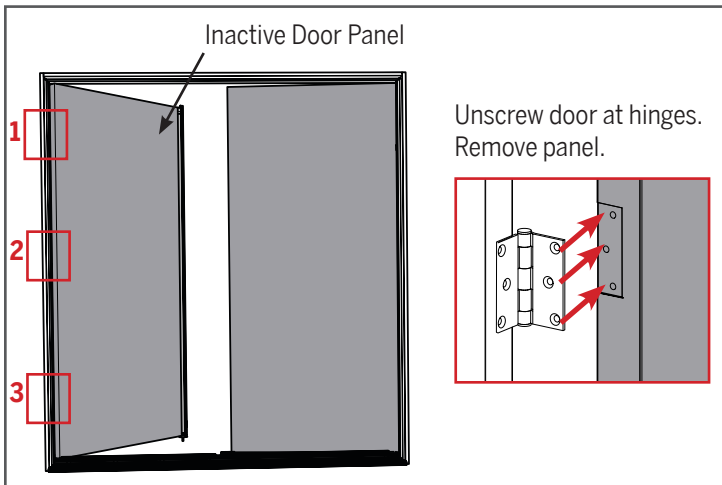
NOTE:

The deadbolt plate and retainer kit and strike plate and retainer kit for the Ultimate Flip Lever Astragal are sold separately. Please ensure you follow the instructions for appropriate replacement.

Product Reference Guide: Ultimate Flip Lever Astragal Anatomy



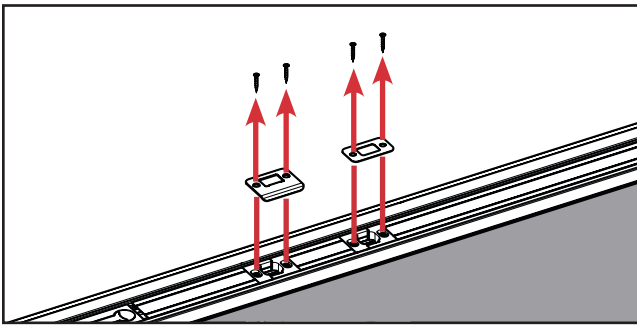
STEP 1: REMOVE INACTIVE DOOR PANEL FROM JAMB



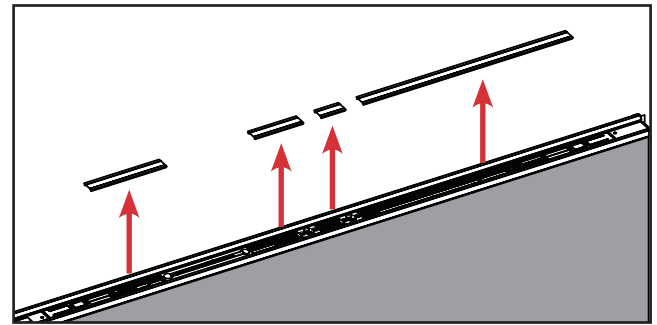
a. Remove the inactive door panel by unscrewing the door from the hinges.

b. Place the door panel horizontally against a strong support to access the astragal.

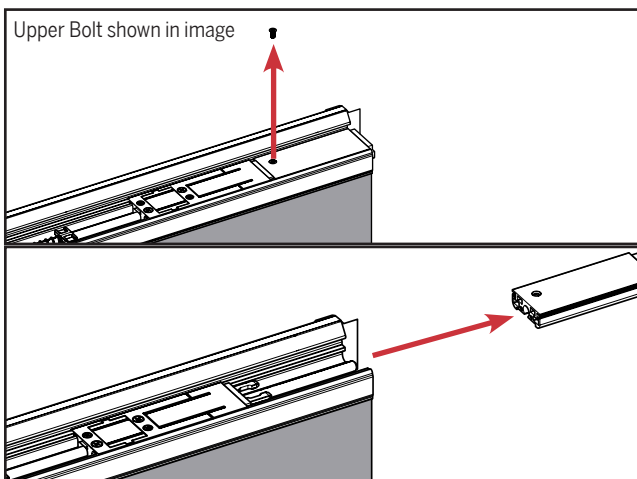
STEP 2: REMOVE ASTRAGAL FROM DOOR PANEL



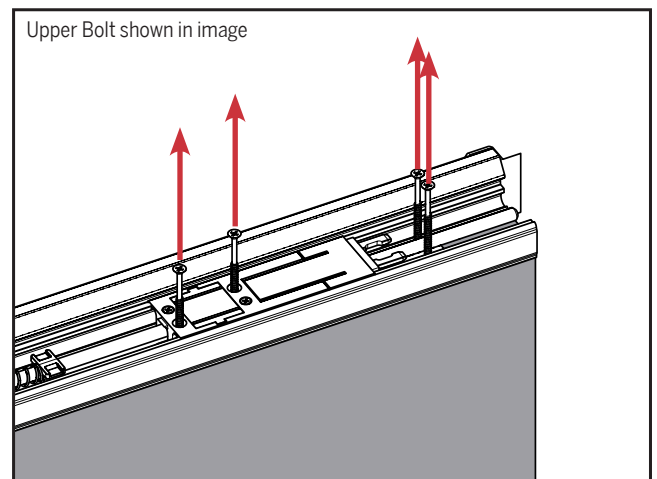
a. Unscrew the deadbolt plate and the strike plate and remove. Keep the screws with the respective plates to reinstall correctly.



b. Remove the trim strip along the entire astragal body to expose the screws that secure the astragal on to the door panel. Note where the 4 pieces of the strip belong, as you will have to return them to the exact position.

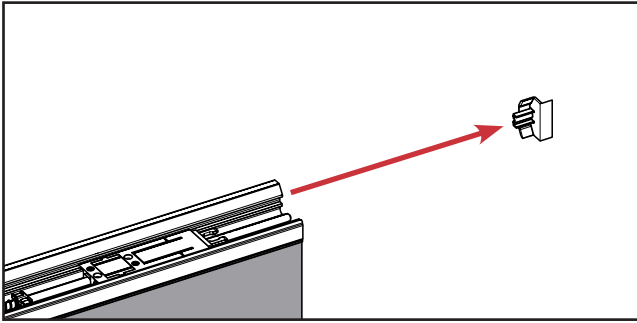


c. Unscrew and remove the bolt sleeves off the upper and lower bolts to reveal additional securing screws. (Only upper bolt shown in image)

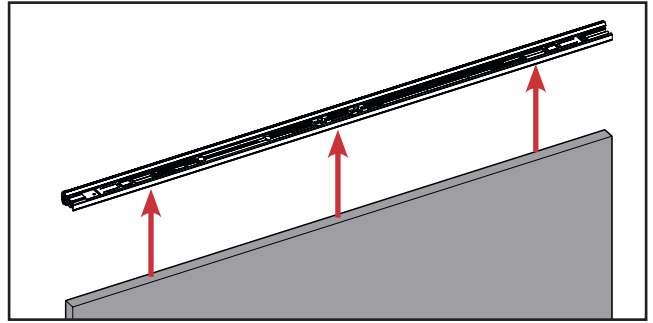


d. Remove the screws securing the astragal to the door panel. The astragal may still be attached to the panel due to the presence of a strong tape on the back adhering it to the panel.

STEP 2 (CONT.): REMOVE ASTRAGAL FROM DOOR PANEL

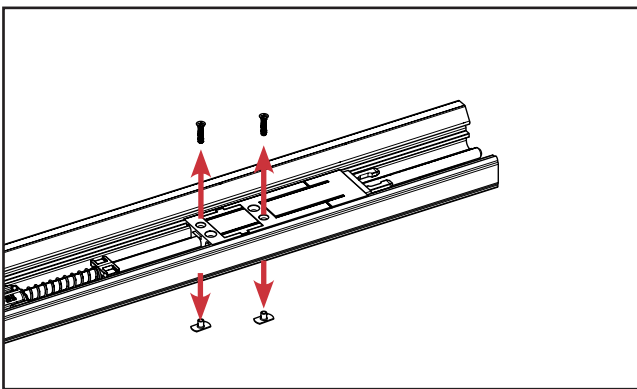


e. If necessary, remove the trim caps on the top and bottom of the door to expose a channel to grasp the astragal.



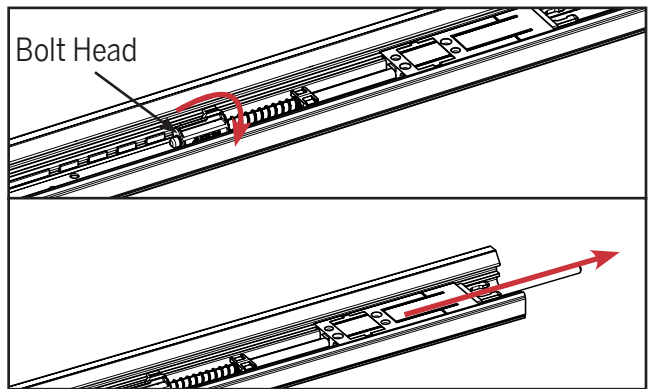
f. Pry the astragal off the door panel. **We recommend you use help to do this.** Lay the removed astragal body on a flat work surface.

STEP 3: REMOVE THE DAMAGED SHOOT BOLT



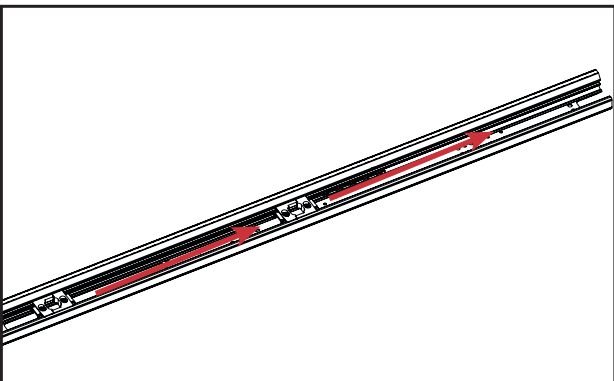
a. Loosen and remove screws that hold the bolt in place. Remove the T-nuts that hold the screws on the back side of the astragal.

NOTE: Before sliding the bolt out of the channel, note where it sits along the operating rod as you will need to return it to the exact location (We suggest taking a picture for reference during reassembly).

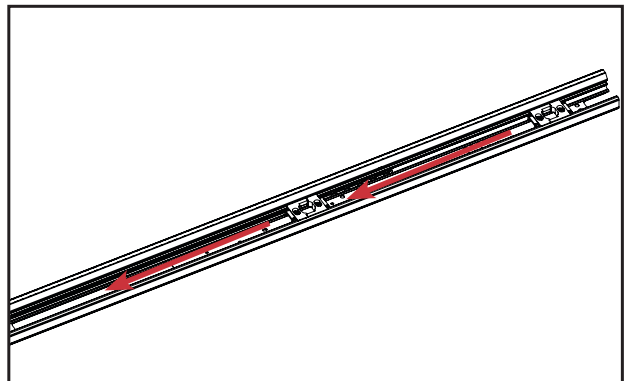


b. Rotate the bolt head out of the drive rod and then slide the bolt assembly out of the astragal body.

STEP 4: REPLACE DEADBOLT AND/OR STRIKE RETAINER

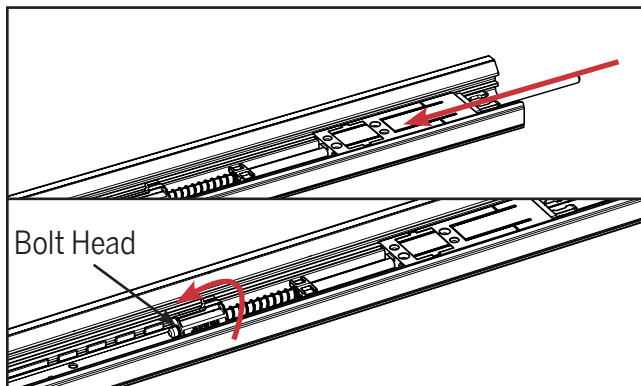


a. Slide the strike retainer out of the astragal. If you are replacing the deadbolt retainer, slide this out of the astragal body as well.

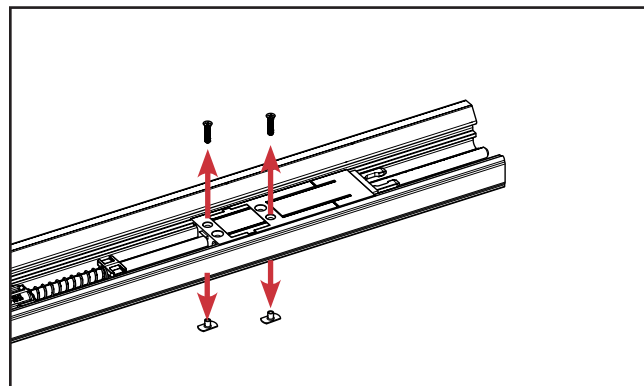


b. Slide the new deadbolt and/or strike retainer into the astragal body, to the same location of the old retainers.

STEP 5: REINSTALL THE SHOOT BOLT

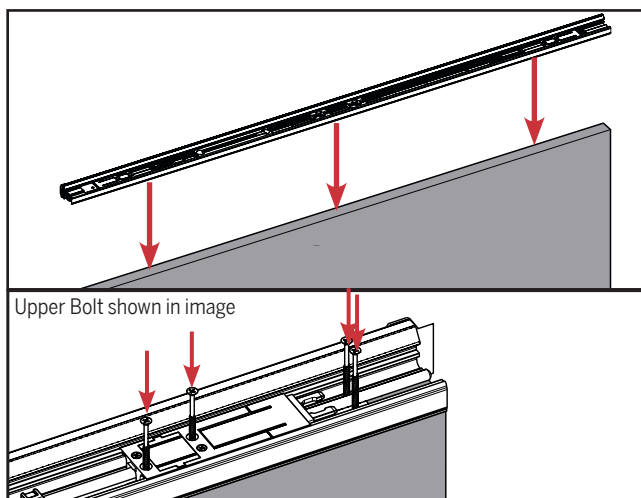


a. Slide the bolt assembly into the astragal body. Rotate the bolt head into the exact position from which the previous bolt was removed.

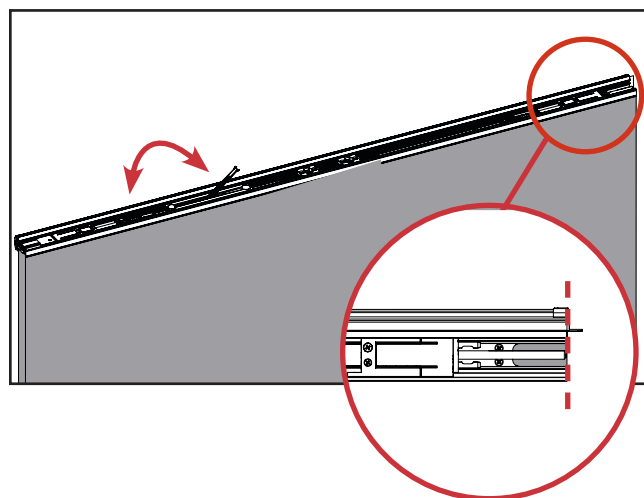


b. Screw the shoot bolt in place using the T-nuts and smaller screws in the smaller screw holes.

NOTE: To ensure smooth operation, do not overtighten screws when returning components to the astragal.

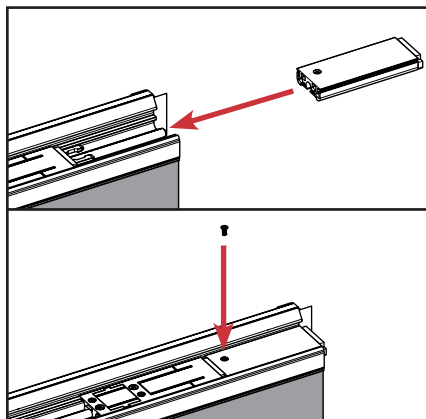


c. Return astragal to the door panel and reinstall the screws back through the astragal into the door panel, starting with the screws under the bolt sleeve.

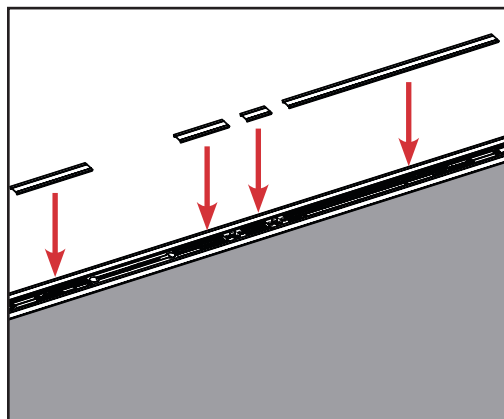


d. Lock the flip lever to ensure the bolt is actively engaged. Ensure that when the flip lever is in the unlocked position, the end of the bolt is either flush with the end of the astragal body or slightly inset.

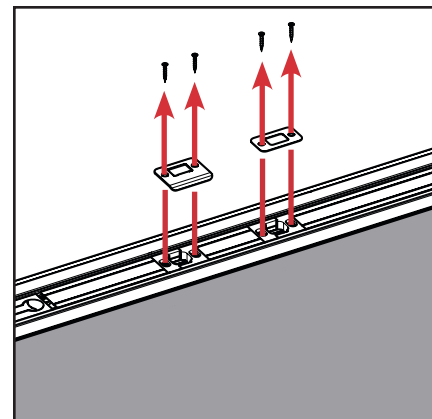
STEP 6: RETURN COMPONENTS TO ASTRAGAL



a. Slide the bolt sleeve in and screw back in place.

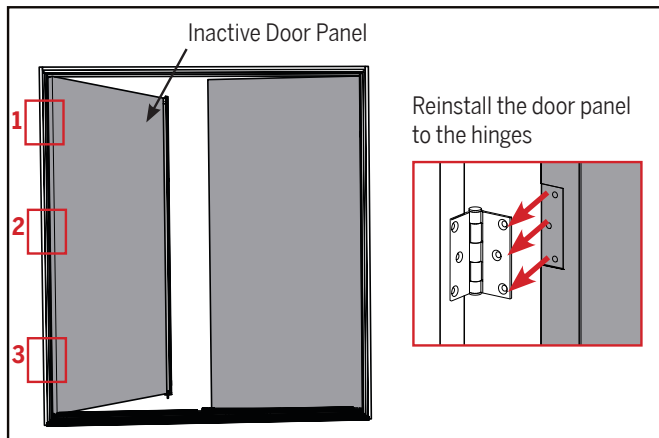


b. Return the trim strip on the door in the same locations that they originally were. Use this to guide where the strike and deadbolt retainers will sit.

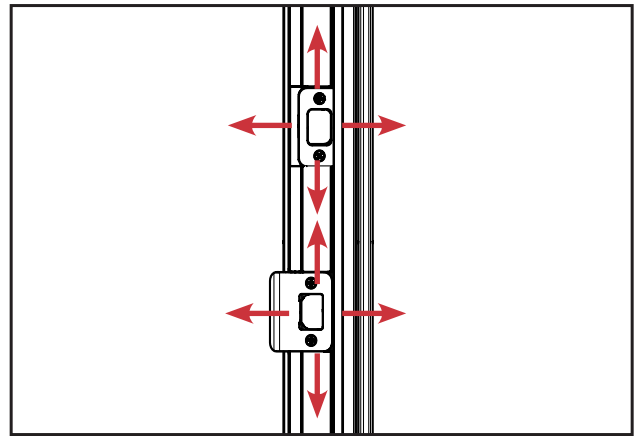


c. Once both retainers are in the astragal, screw on the strike plate and the deadbolt plate, using your best judgment for horizontal alignment.

STEP 7: REINSTALL DOOR PANEL ON JAMB



a. Reinstall the inactive door panel by screwing the door panel back to the hinges.



b. Adjust the location of the plate if necessary by loosening the screws and sliding the plate horizontally.