

Ultimate Hurricane Astragal

Prehanger Installation Instructions



8817 West Market Street
 Colfax, NC 27235 | 800.334.2006
 www.enduraproducts.com

Tools Required:

- Flathead Screwdriver
- Shears
- Phillips Screwdriver/ Drill
- Tape Measure

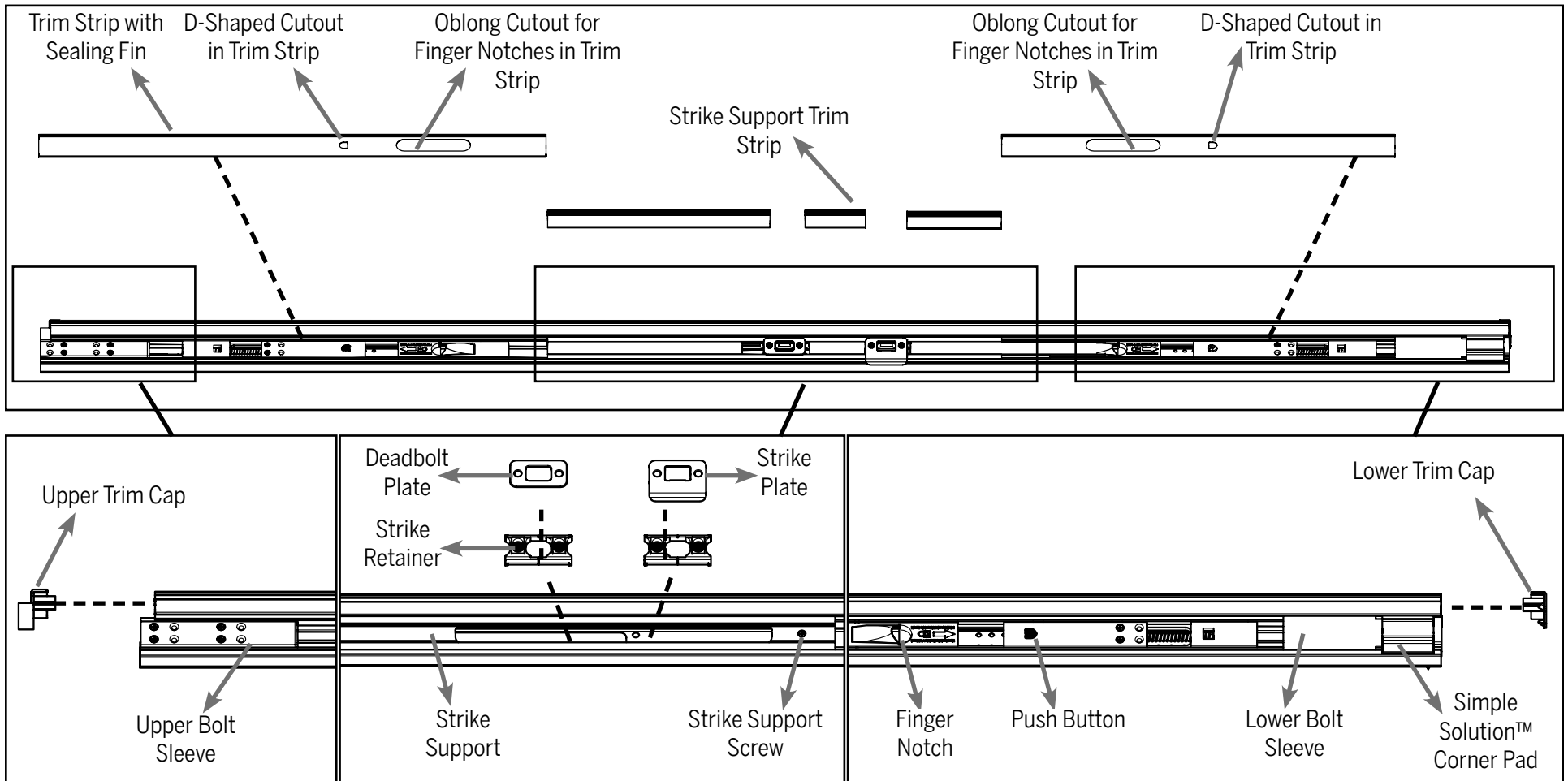
Kit Includes:

- Full Astragal
- Trim Strip (2 pieces)
- Screw Pack
- Field Pack

Screw Pack Contains:

- (9) #8 x 1-5/8" Screws
- (4) #8 x 1" Screws
- (2) #8 x 3" Screws

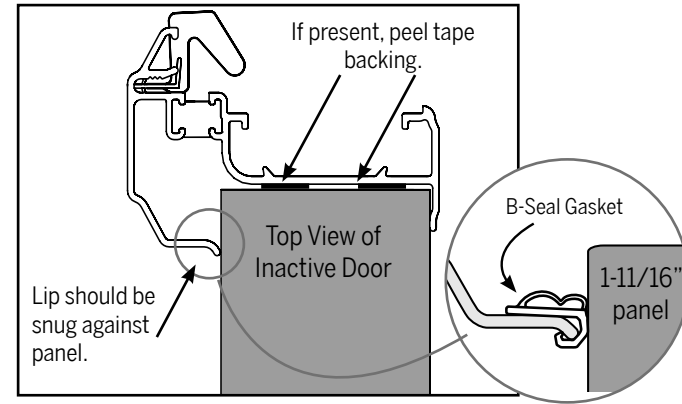
Product Reference Guide



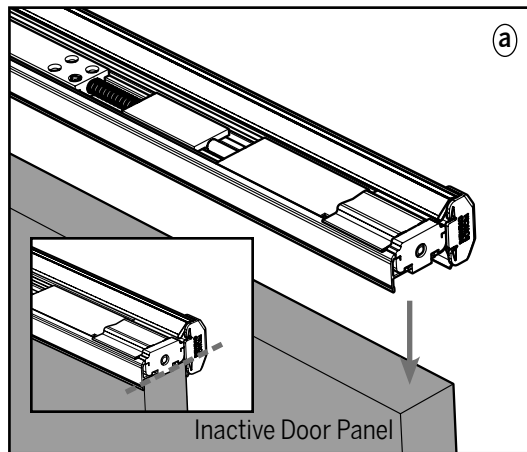
INITIAL PREPARATION

BEFORE YOU BEGIN:

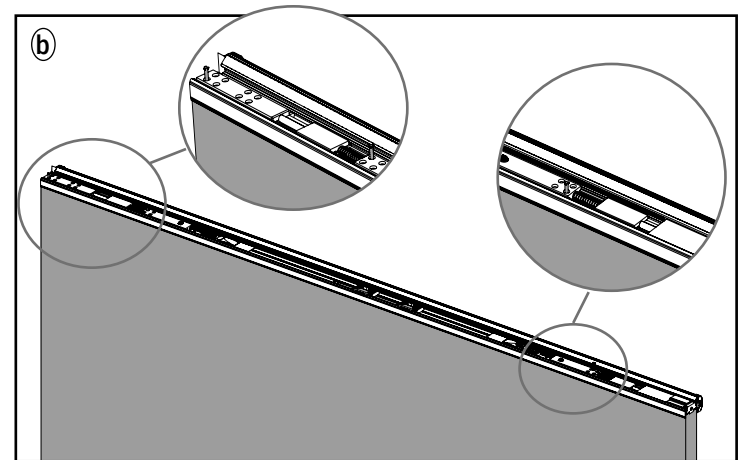
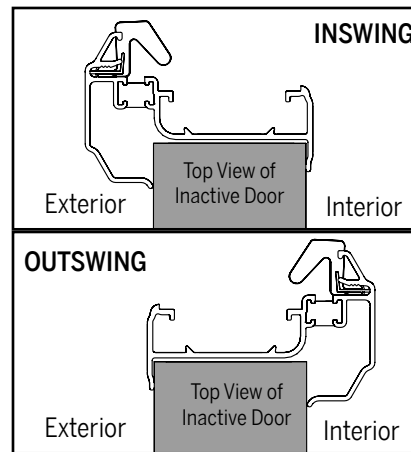
- Ensure you have the appropriate length and handing of astragal for your door.
- Remove the trim strip and screw pack from the astragal body and set aside.
- If tape is present on the back of the astragal, peel off the backing.
- Confirm thickness of your door panel. For door panels with thicknesses of **1-11/16"**, apply the available B-seal gasket to accommodate the gap between the face of the panel and the astragal.



STEP 1: PLACE ASTRAGAL ON DOOR PANEL



- a.** Align the astragal body flush with the end of the inactive door panel, with the wide side of the astragal correctly oriented based on swing of the door. For **Inswing** doors, the wide side of the astragal goes on outside of the door. For **Outswing** doors, the wide side of the astragal goes on inside of the door.



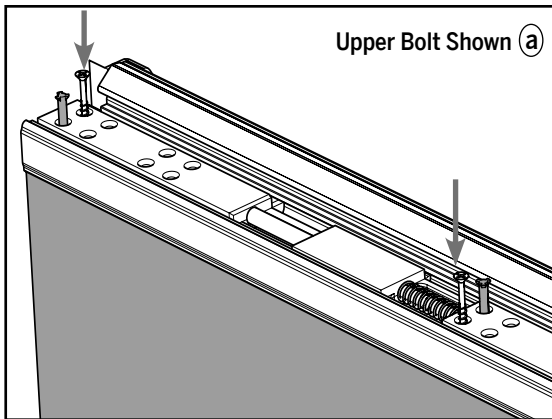
- b.** Press the astragal down along the length of the panel. Three orange securing pins will pop up - two on the upper bolt and one on the lower bolt. **Do not remove pins at this time.**

! If present, ensure backing of tape is removed before pressing down.

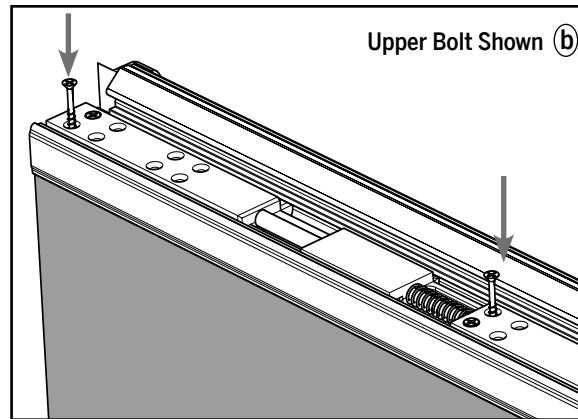
STEP 2: SECURE ASTRAGAL TO DOOR PANEL

Please refer to the Product Reference Guide on Page 1 to identify different components of the astragal.

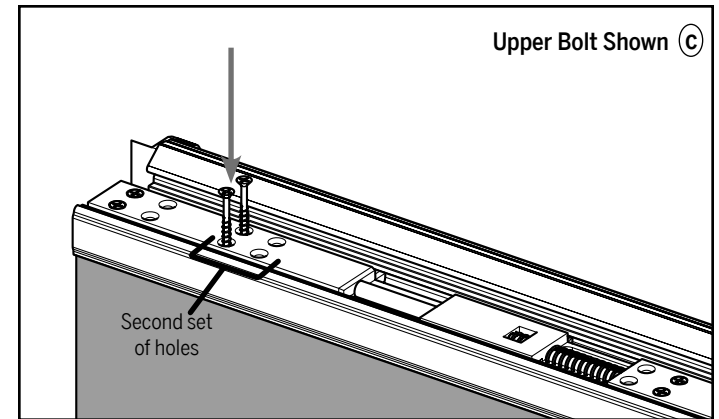
For Step 2, only tighten screws until flush with mating surfaces. **Do not overtighten screws.**



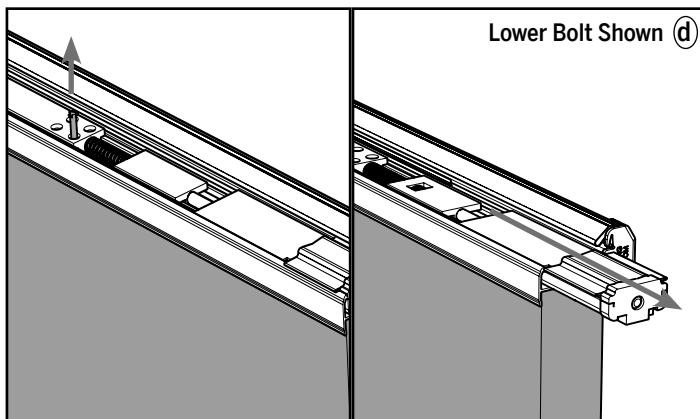
a. Keeping the orange securing pins in place on the upper bolt, secure two #8 x 1-5/8" screws in the holes adjacent to the pins.



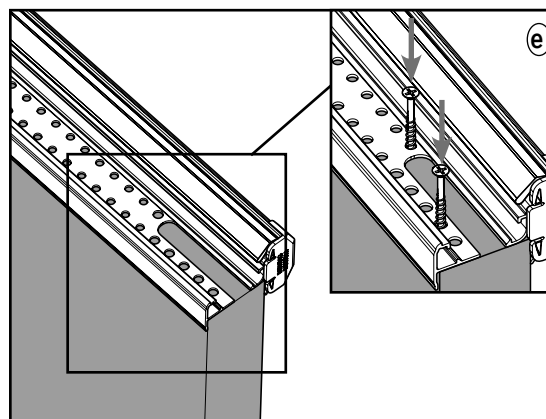
b. Replace the orange securing pins with #8 x 1-5/8" screws.



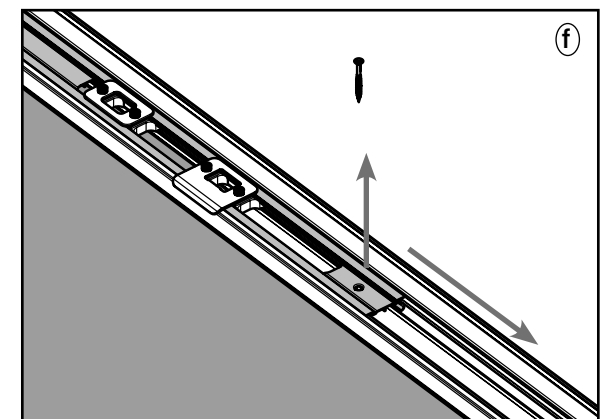
c. Insert two additional #8 x 1-5/8" screws into the second set of holes on the upper bolt sleeve where the holes align with the holes in the body.



d. On the lower bolt, note the location of the orange securing pin and remove the pin. Slide the lower bolt out of the astragal.

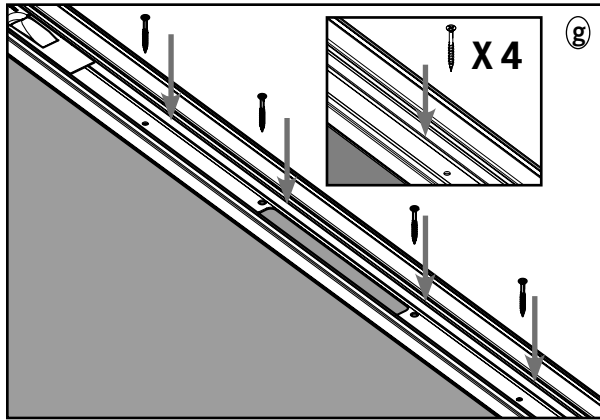


e. Add two #8 x 3" screws beside the U-shaped notch in the astragal body - one in the second hole from the bottom, and the other in the hole directly above the notch.

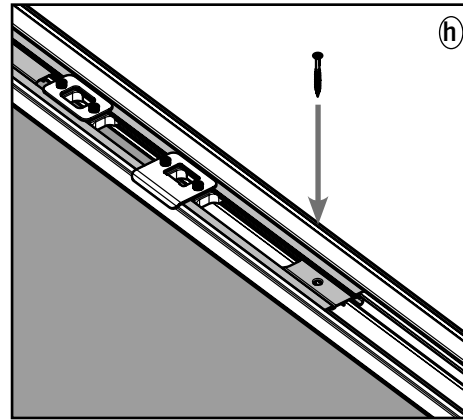


f. Remove the screw on the strike support and slide towards outside of the astragal body to gain access to screw holes in the astragal body.

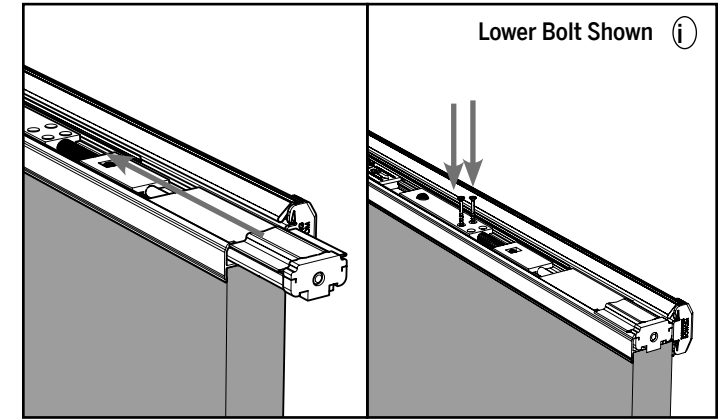
STEP 2 (CONT.): SECURE ASTRAGAL TO DOOR PANEL



g. Locate additional screw holes in the astragal body and insert four #8 x 1" screws into these holes to secure the astragal to the door panel.

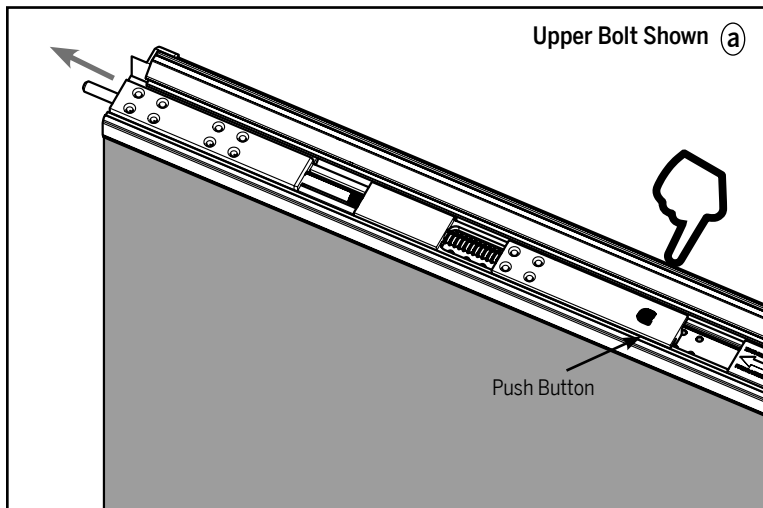


h. Return the strike support to its original location and screw back into place.

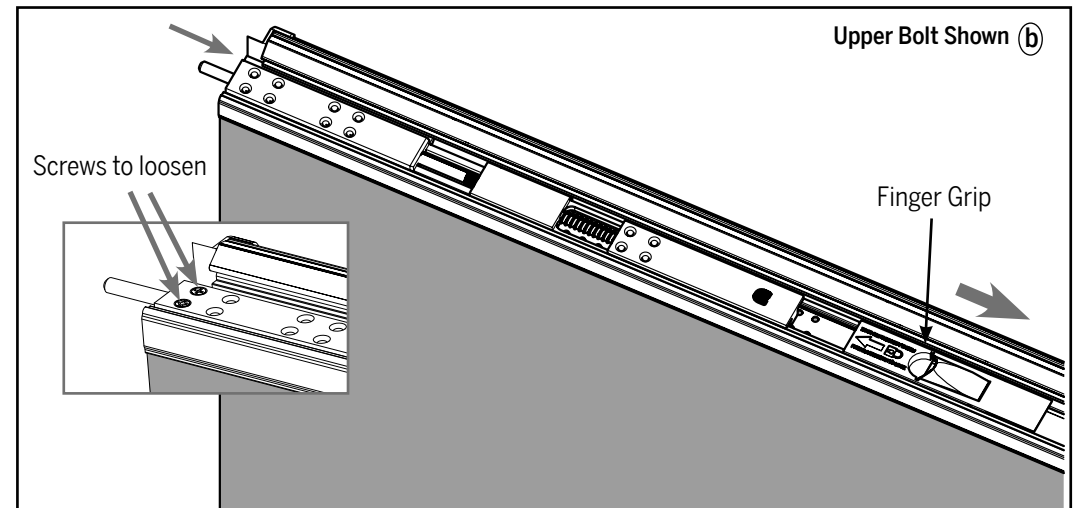


i. Slide the lower bolt back in place and install two #8 x 1-5/8" screws into the hole from which the orange securing pin was removed and the one adjacent to it.

STEP 3: CONFIRM PUSH BUTTON OPERATION



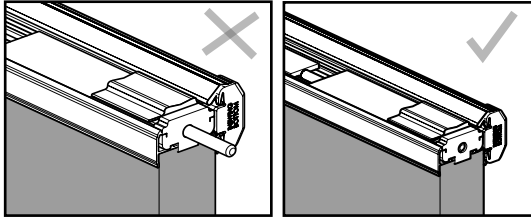
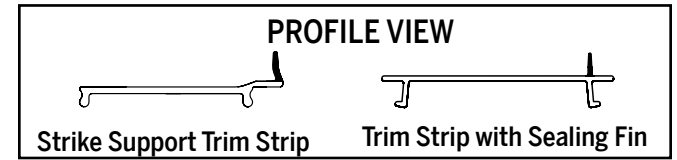
a. Press the push button on the upper and lower bolts to ensure the bolt pin is properly engaged.



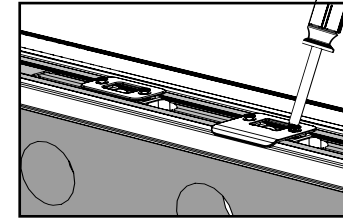
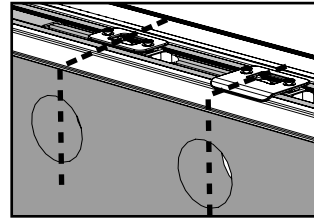
b. Retract the bolt by pulling the finger grip back. If retracting the bolt is tight on the upper bolt, loosen the screws on the upper bolt sleeve.

STEP 4: SIZE AND INSTALL TRIM STRIP

Use the appropriate trim strip over each part of the astragal. The strike support trim strip goes in the middle of the astragal and the trim strip with the sealing fin goes in the upper and lower parts of the astragal.

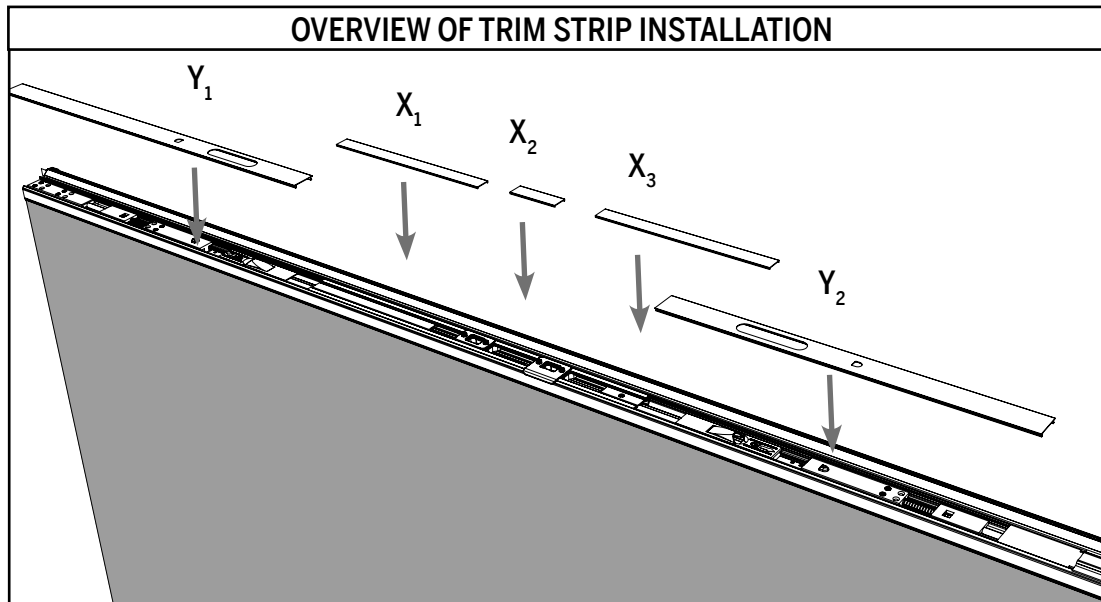
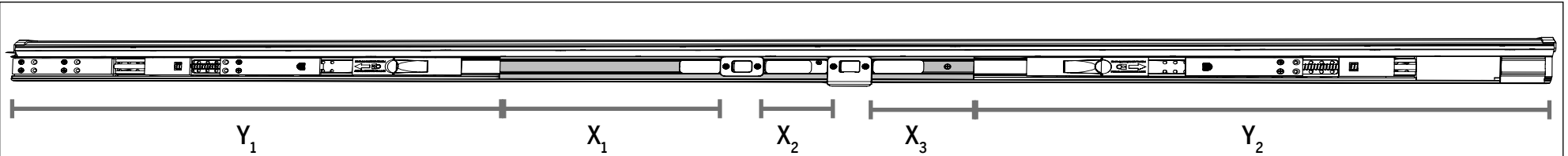


a. Ensure the upper and lower bolts are in the retracted position.

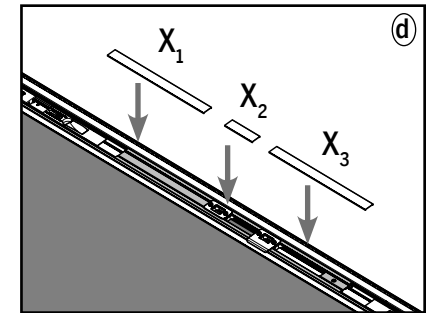
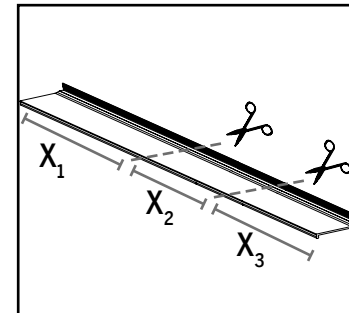


b. Mark the deadbolt and strike crossbores and align the deadbolt and strike plates with this. Tighten screws to set the location.

c. Measure the lengths between the various components in the astragal.



STRIKE SUPPORT TRIM STRIP:



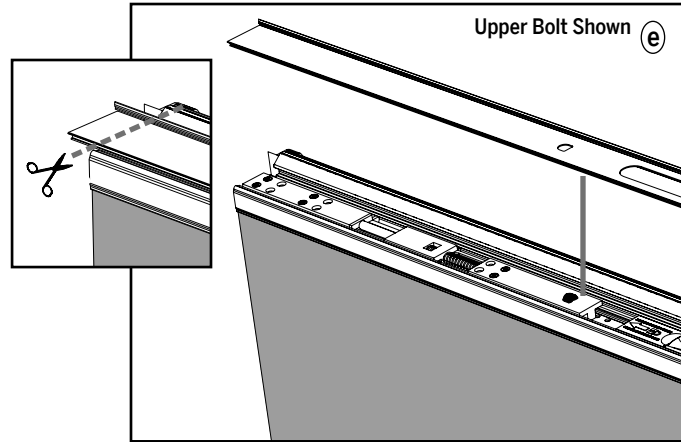
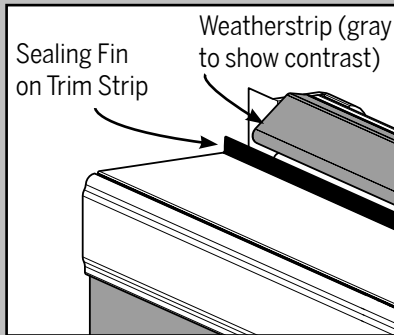
d. Cut the strike support trim strip into lengths matching X_1 , X_2 and X_3 and install each piece on the strike support.

The sealing fin on the trim strip should always be on the side closest to the weatherstrip for best performance.

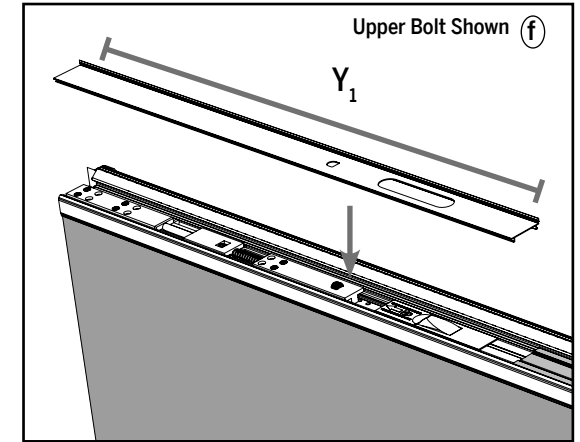
STEP 4 (CONT.): SIZE AND INSTALL TRIM STRIP

TRIM STRIP WITH SEALING FIN:

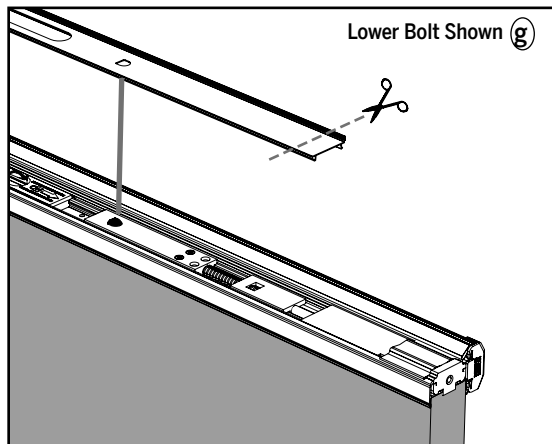
Before you cut to size, ensure the sealing fin on the trim strip is on the side closest to the weatherstrip.



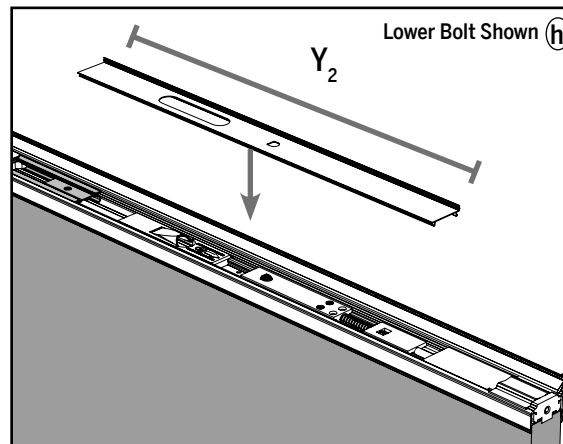
e. Align the D-shaped cutout on the trim strip with the push button on the upper bolt. If there is an overhang past the top of the upper bolt, cut the trim strip to fit flush with end of the astragal.



f. Keeping the cutout aligned, cut the trim strip to match Y_1 and install in the upper part of the astragal.



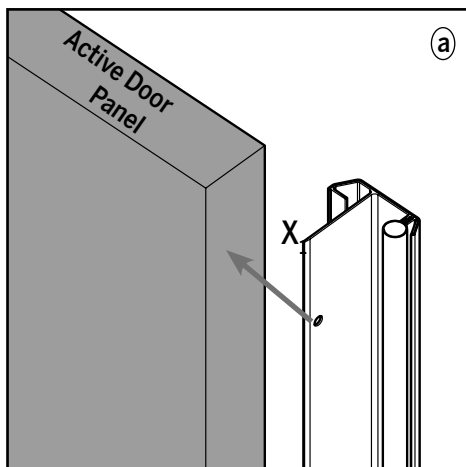
g. Align the D-shaped cutout on the trim strip with the push button on the lower bolt. If there is an overhang on to the lower bolt sleeve, cut excess trim strip.



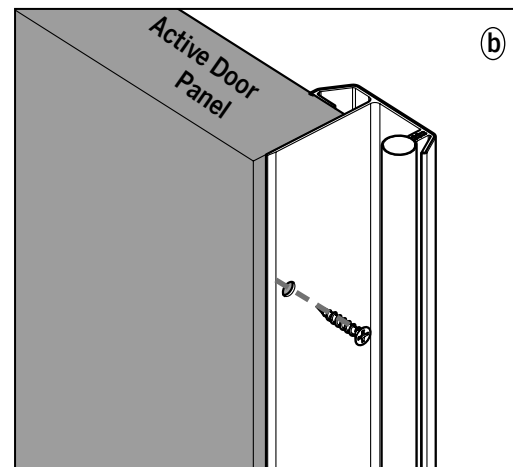
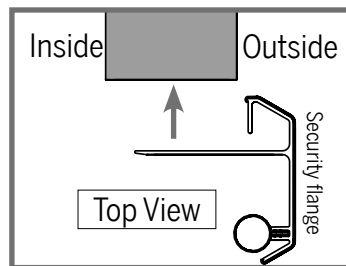
h. Keeping the cutout aligned, cut the trim strip to match Y_2 and install in the lower part of the astragal.

⚠ The sealing fin on the trim strip should always be on the side closest to the weatherstrip for best performance.

STEP 5: INSTALL OPTIONAL SECURITY FLANGE (OUTSWING ONLY)



a. Position the security flange on the active door panel with the wide flange facing the outside of the house. Peel the tape backing and secure against the active panel.



b. Insert the screws through the predrilled holes to secure the flange snug against the face of the active door panel.