

Ultimate Push Button Astragal

Prehanger Installation Instructions



8817 West Market Street
 Colfax, NC 27235 | 800.334.2006
 www.enduraproducts.com

Tools Required:

- Flathead Screwdriver
- Shears
- Phillips Screwdriver
- Power Drill with 1" Drill Bit
- Tape Measure

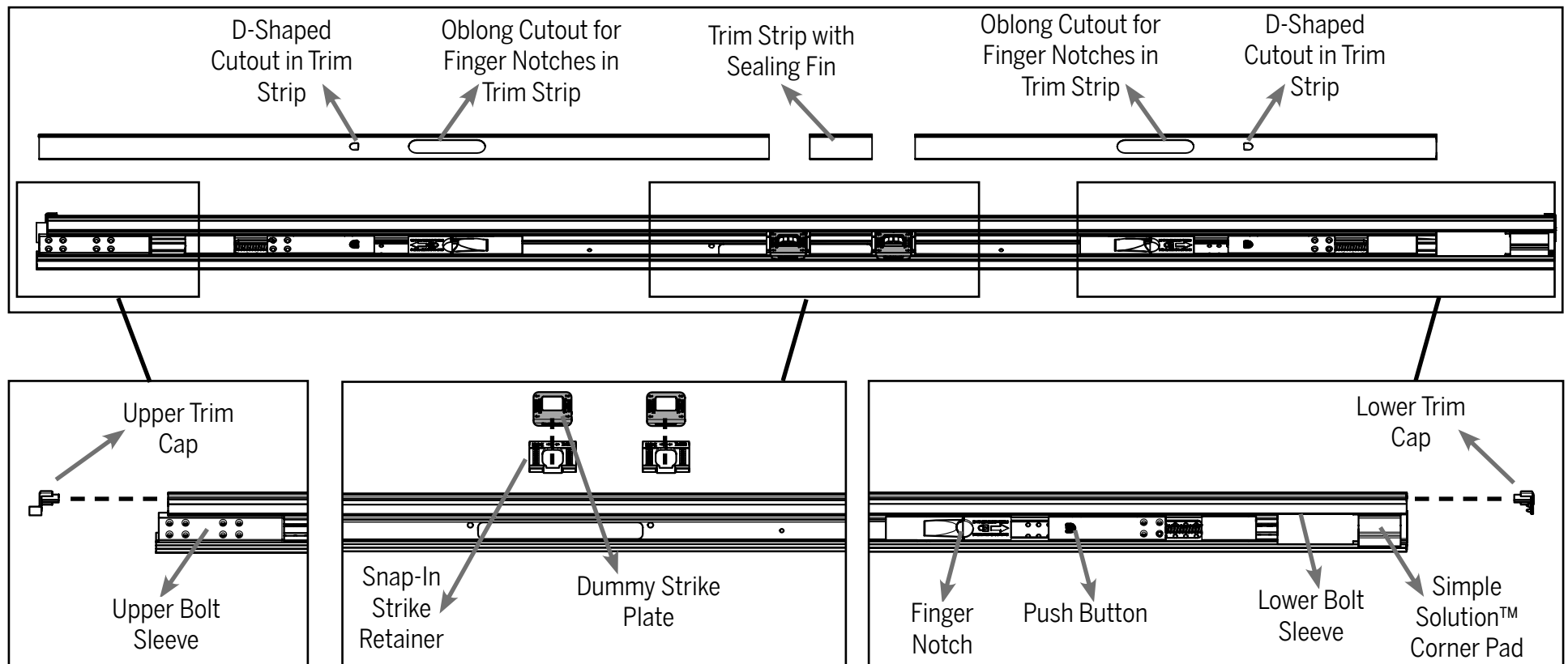
Kit Includes:

- Full Astragal
- Full Length Trim Strip
- Screw Pack
- Field Pack

Screw Pack Contains:

- (10) #8 x 1-5/8" screws
- (4) #8 x 1" screws

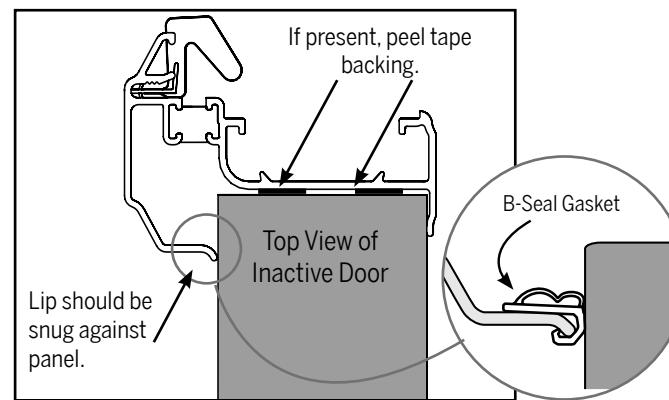
Product Reference Guide



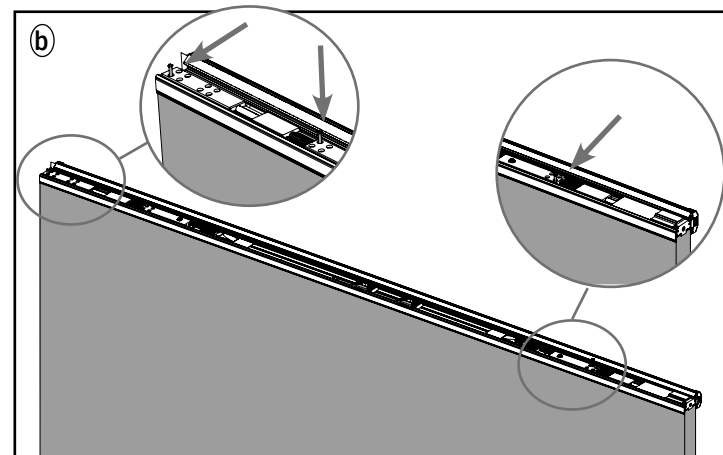
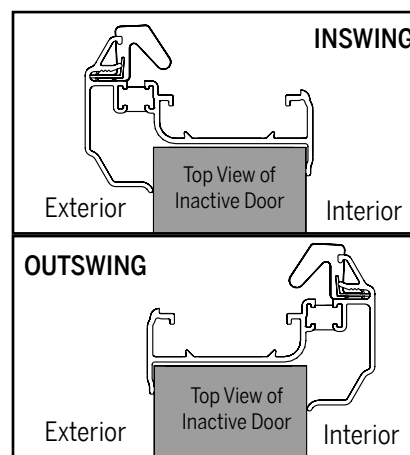
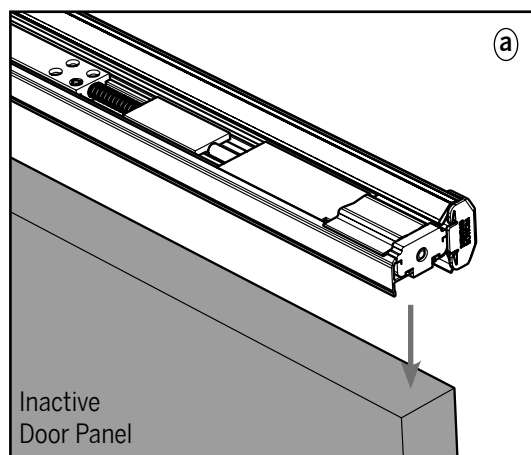
INITIAL PREPARATION

BEFORE YOU BEGIN:

- Ensure you have the appropriate length and handing of astragal for your door.
- Remove the trim strip and screw pack from the astragal body and set aside.
- If tape is present on the back of the astragal, peel off the backing.
- Confirm thickness of your door panel. For door panels with thicknesses of **1-11/16"**, apply the available B-seal gasket to accommodate the gap between the face of the panel and the astragal.



STEP 1: PLACE ASTRAGAL ON DOOR PANEL



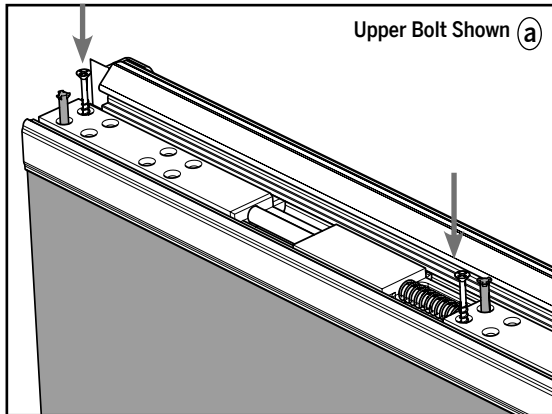
a. Align the astragal body flush with the end of the inactive door panel, with the wide side of the astragal correctly oriented based on swing of the door.
For **Inswing** doors: Wide side of astragal goes on outside of the door.
For **Outswing** doors: Wide side of astragal goes on inside of the door.

b. Press astragal down along the length of the panel. Three orange securing pins will pop up - two on the upper bolt and one on the lower bolt. **Do not remove pins at this time.**

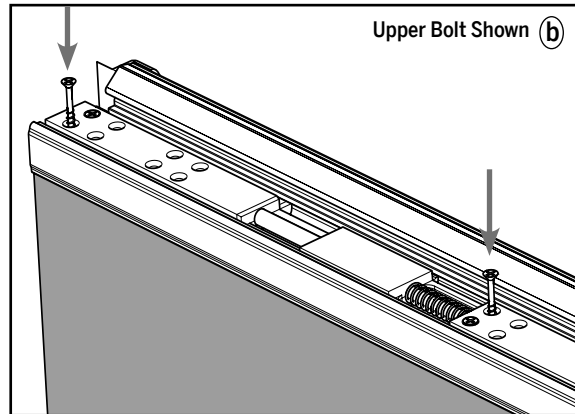
! If present, ensure backing of tape is removed before pressing down.

STEP 2: SECURE ASTRAGAL TO DOOR PANEL

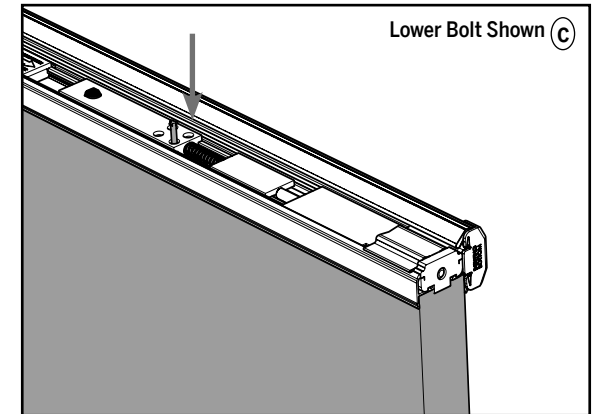
Please refer Product Reference Guide on Page 1 to identify different components of the astragal. For Step 2, only tighten screws until flush with mating surfaces. **Do not overtighten screws.**



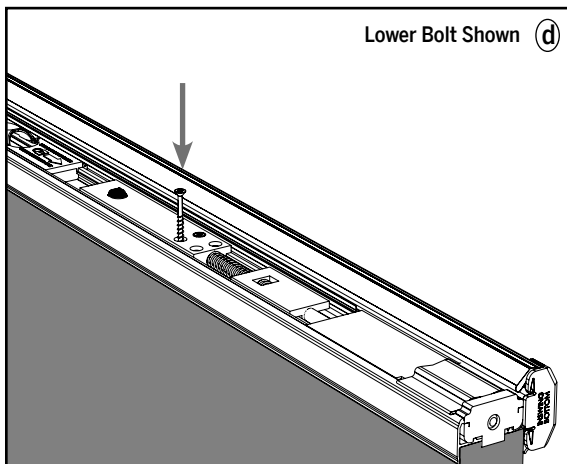
a. Keeping the orange securing pins in place on the upper bolt, secure two #8 x 1-5/8" screws in the holes adjacent to the pins.



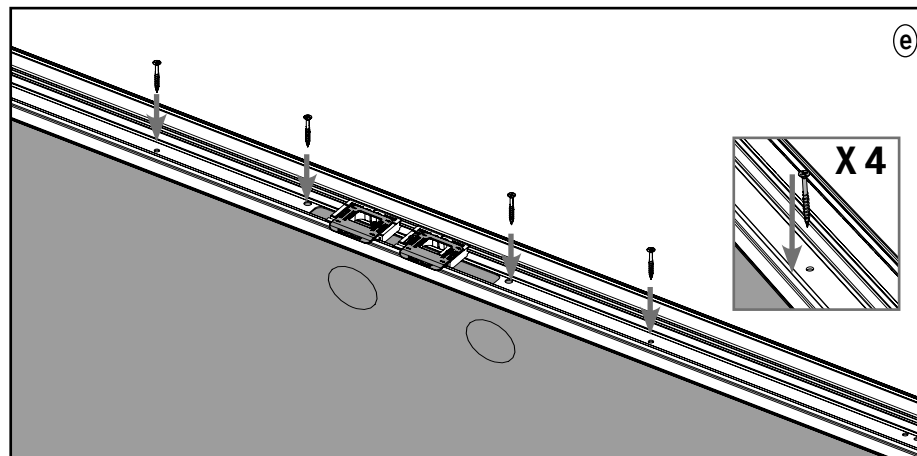
b. Next, replace the orange securing pins with two #8 x 1-5/8" screws.



c. Keeping the orange pins in place on the lower bolt, secure a #8 x 1-5/8" screw in the hole adjacent to the pin.

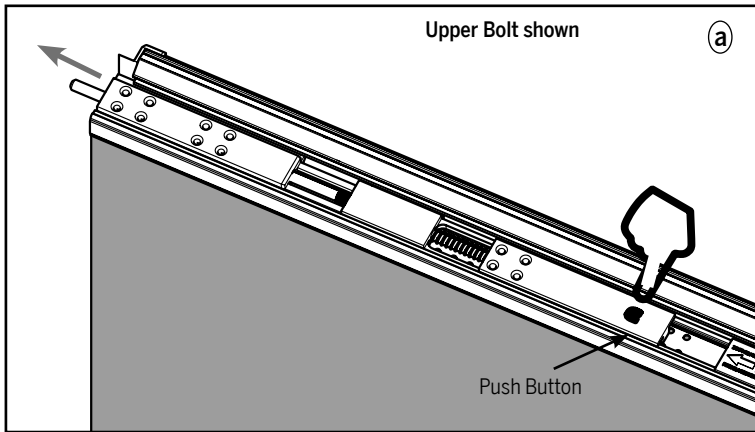


d. Replace the orange securing pin with a #8 x 1-5/8" screw.

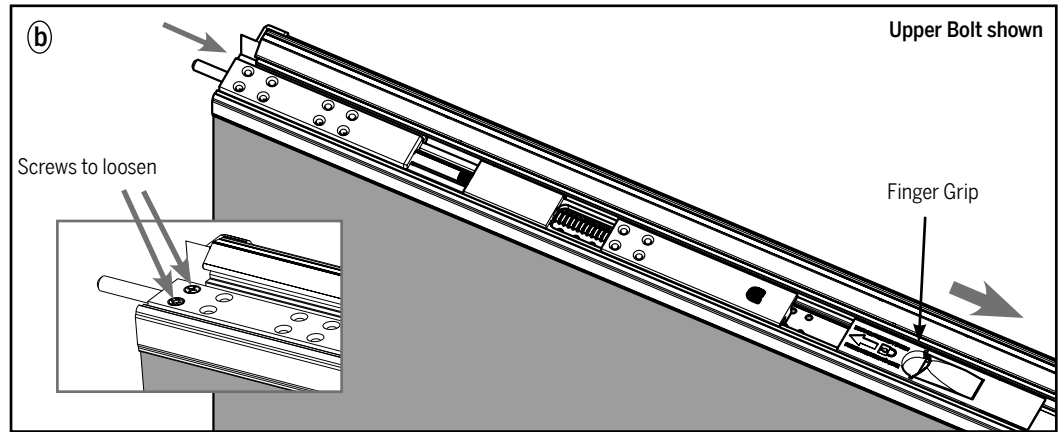


e. Locate four screw holes on the inside of the astragal body. Insert four #8 x 1" screws into these holes to secure the astragal to the door panel.

STEP 3: CONFIRM PUSH BUTTON OPERATION



a. Press the push button on the upper and lower bolts to ensure the bolt pin is properly engaged.

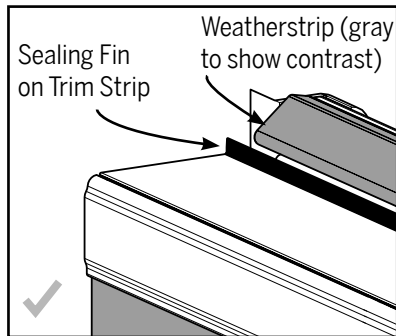
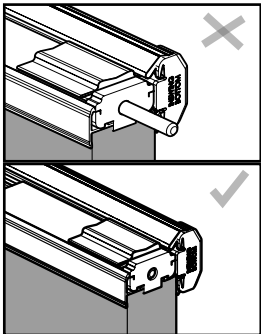


b. Retract the bolt by pulling the finger grip back. If retracting the bolt is tight on the upper bolt, loosen the screws on the upper bolt sleeve.

STEP 4: SIZE AND INSTALL TRIM STRIP

Before you install:

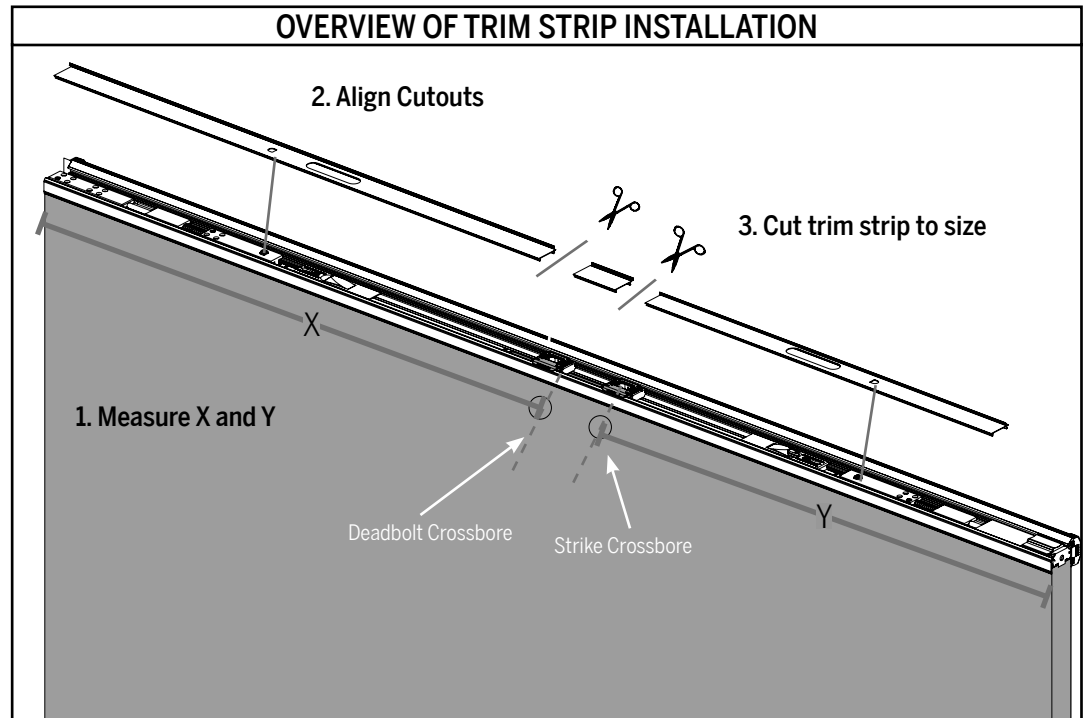
- Ensure the upper and lower bolts are in the retracted position.
- Ensure the sealing fin on the trim is on the side closest to the weatherstrip.



To install:

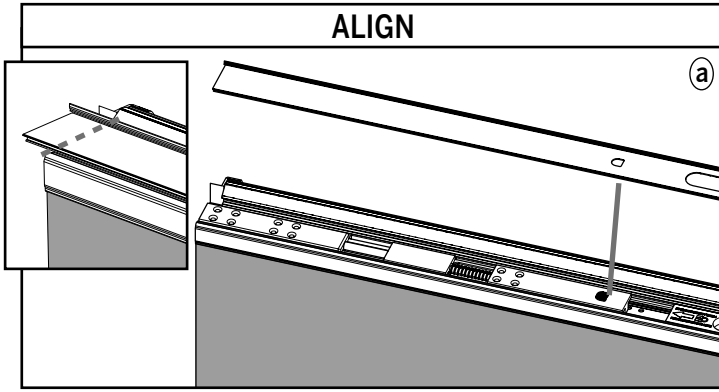
1. Measure and note the distance from the deadbolt crossbore to the top of the astragal (X) and the distance from the bottom bolt sleeve to the strike crossbore (Y).
2. Align the D-shaped cutout on the trim strip with the push buttons on the upper/ lower bolt.
3. Cut the trim strip to fit between each component (See image for details.).

OVERVIEW OF TRIM STRIP INSTALLATION

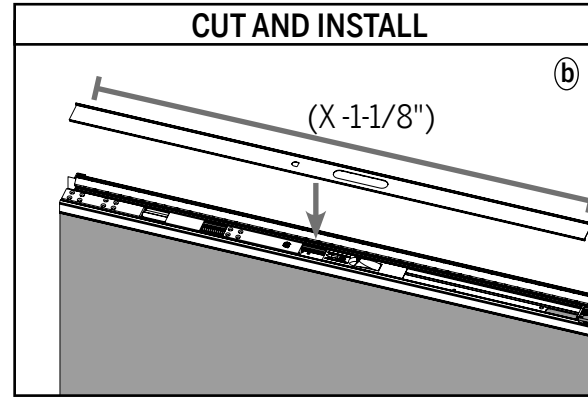


STEP 4 (CONT.): SIZE AND INSTALL TRIM STRIP


UPPER TRIM STRIP:



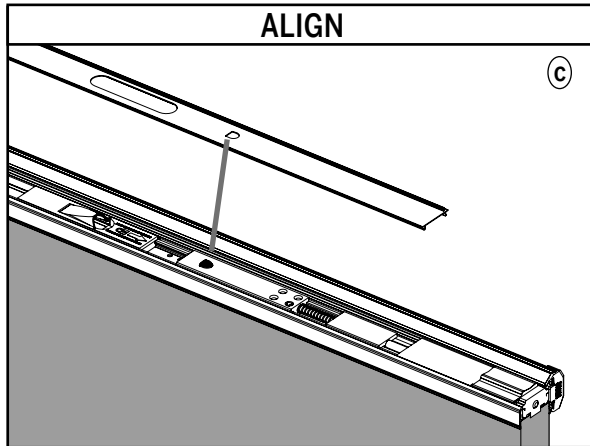
a. Align the D-shaped cutout on the trim with the push button on the upper bolt. If there is an overhang past the top of the upper bolt, cut the trim strip to fit flush with end of the astragal.



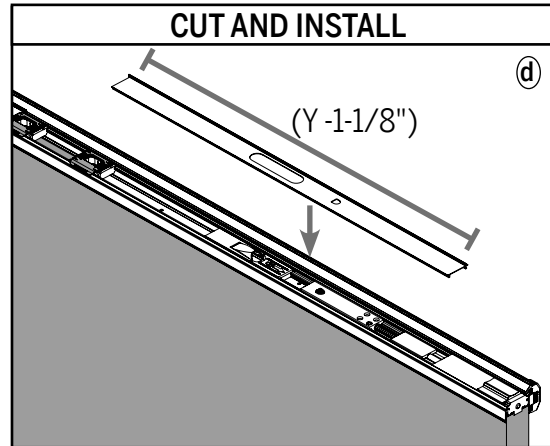
b. Keeping the cutout aligned, measure X-1/8" and cut the trim strip. Install sized trim strip into the astragal body.

 The sealing fin on the trim strip should be aligned closest to the weatherstrip for the best performance.

LOWER TRIM STRIP:

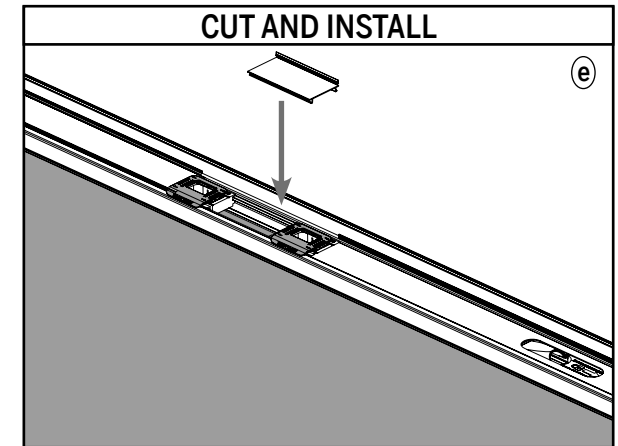


c. Align the D-shaped cutout on the trim strip with the push button on the lower bolt. If there is an overhang with the lower bolt sleeve, cut excess trim strip.



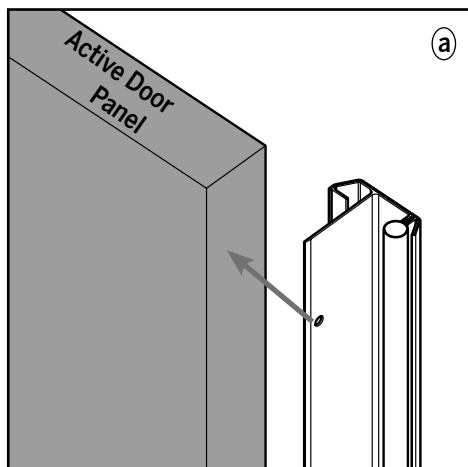
d. Install the sized trim strip on the lower half of the astragal with the sealing fin on the side closest to the weatherstrip.

MIDDLE TRIM STRIP:

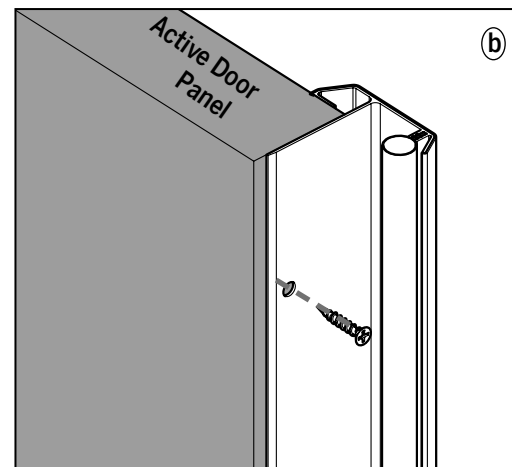
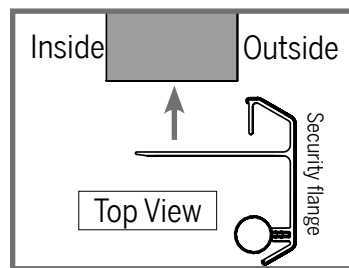


e. Measure the distance between the strike and deadbolt retainer. Cut the remaining trim strip to match this length and install into the astragal.

STEP 5: INSTALL OPTIONAL SECURITY FLANGE (OUTSWING ONLY)



a. Position the security flange on the active door panel with the wide flange facing the outside of the house. Peel the tape backing and secure against the active panel.



b. Insert the screws through the predrilled holes to secure the flange snug against the face of the active door panel.