

Ultimate Slide Bolt Astragal

Prehanger Installation Instructions



8817 West Market Street
Colfax, NC 27235 | 800.334.2006
www.enduraproducts.com

Tools Required:

- Flathead Screwdriver
- Shears
- Phillips Screwdriver/ Drill
- Tape Measure

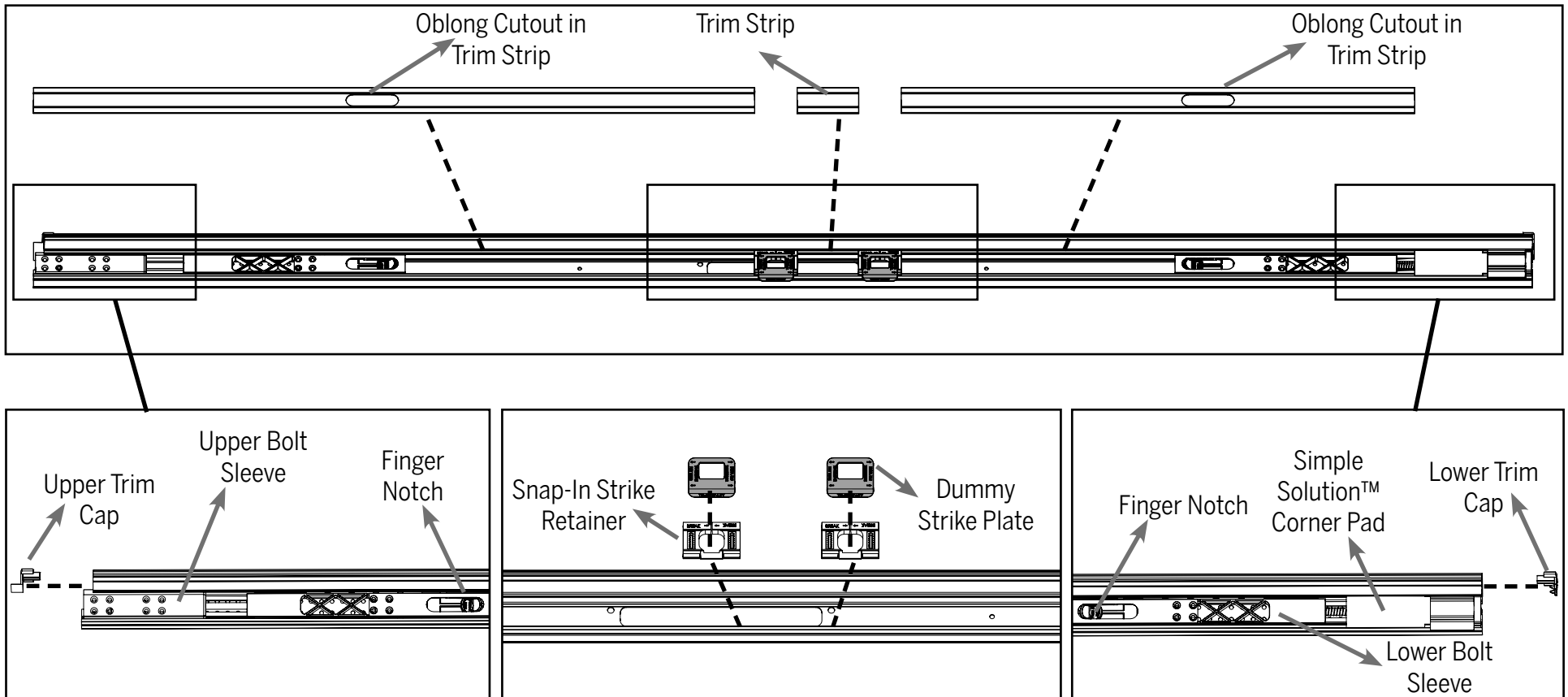
Kit Includes:

- Full Astragal
- Full Length Trim Strip
- Screw Pack
- Field Pack

Screw Pack Contains:

- (6) #8 x 1-5/8" Screws
- (4) #8 x 1" Screws

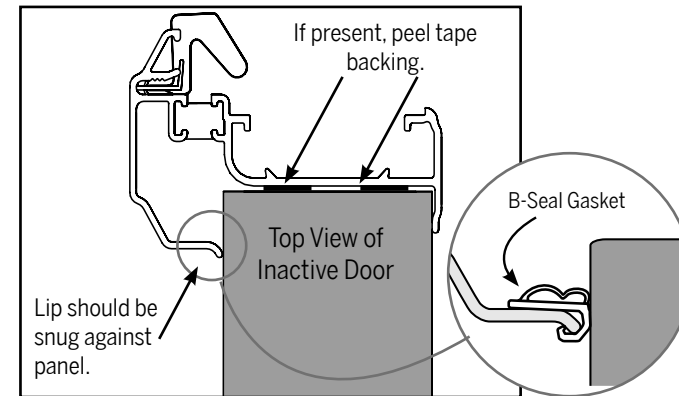
Product Reference Guide



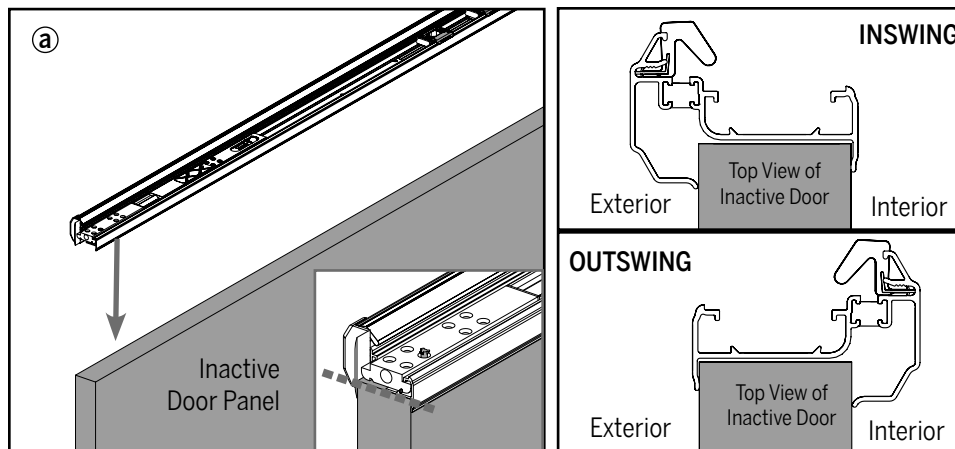
INITIAL PREPARATION

BEFORE YOU BEGIN:

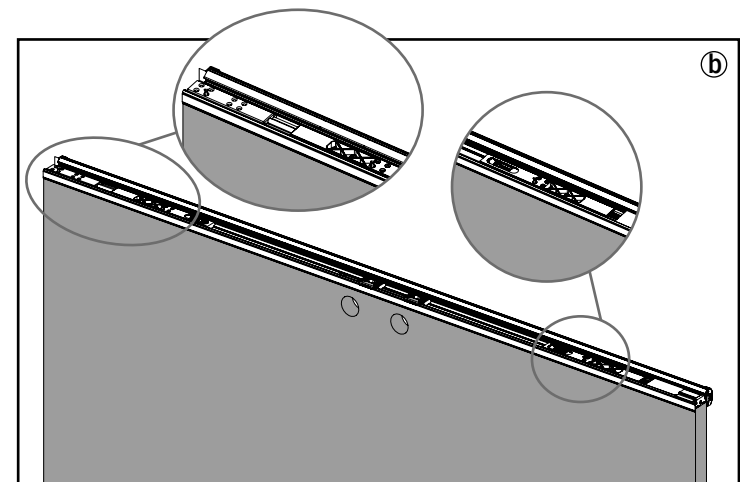
- Ensure you have the appropriate length and handing of astragal for your door.
- Remove the trim strip and screw pack from the astragal body and set aside.
- If tape is present on the back of the astragal, peel off the backing.
- Confirm thickness of your door panel. For door panels with thicknesses of **1-11/16"**, apply the available B-seal gasket to accommodate the gap between the face of the panel and the astragal.



STEP 1: PLACE ASTRAGAL ON DOOR PANEL



- a.** Align the astragal body flush with the end of the inactive door panel, with the wide side of the astragal correctly oriented according to the swing of the door. For **Inswing** doors: Wide side of astragal goes on outside of the door. For **Outswing** doors: Wide side of astragal goes on inside of the door.



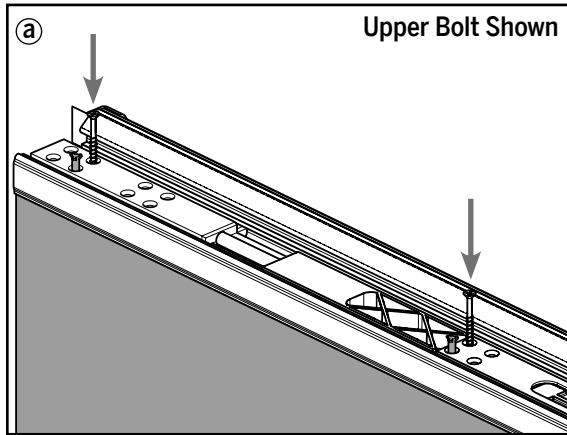
- b.** Press astragal down along the length of the panel. Three orange securing pins will pop up - two on the upper bolt and one on the lower bolt. **Do not remove pins at this time.**



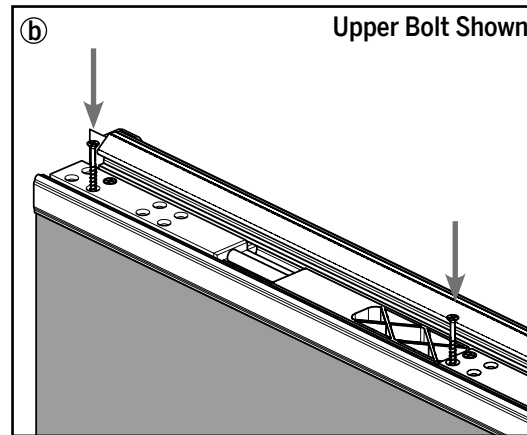
If present, ensure backing of tape is removed before pressing down.

STEP 2: SECURE ASTRAGAL TO DOOR PANEL

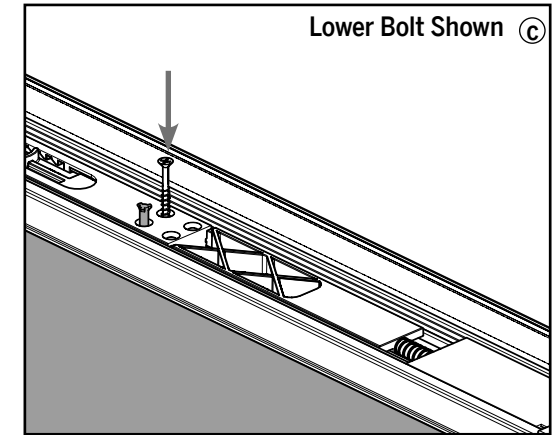
Please refer to the Product Reference Guide on Page 1 to identify different components of the astragal. For Step 2, only tighten screws until flush with mating surfaces. Do not overtighten screws.



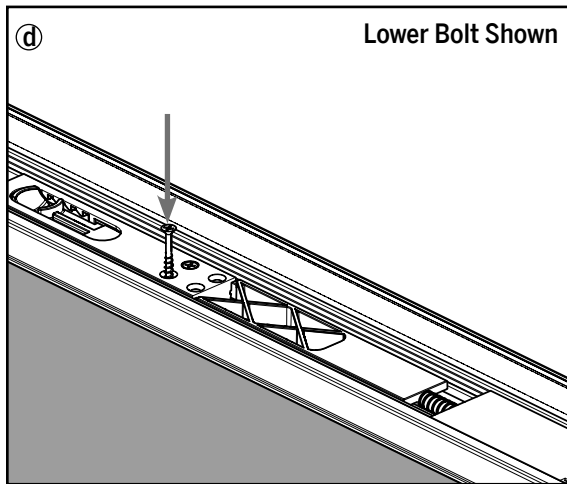
a. Keeping the orange pins in place at each location, secure two #8 x 1-5/8" screw in the holes adjacent to the pins.



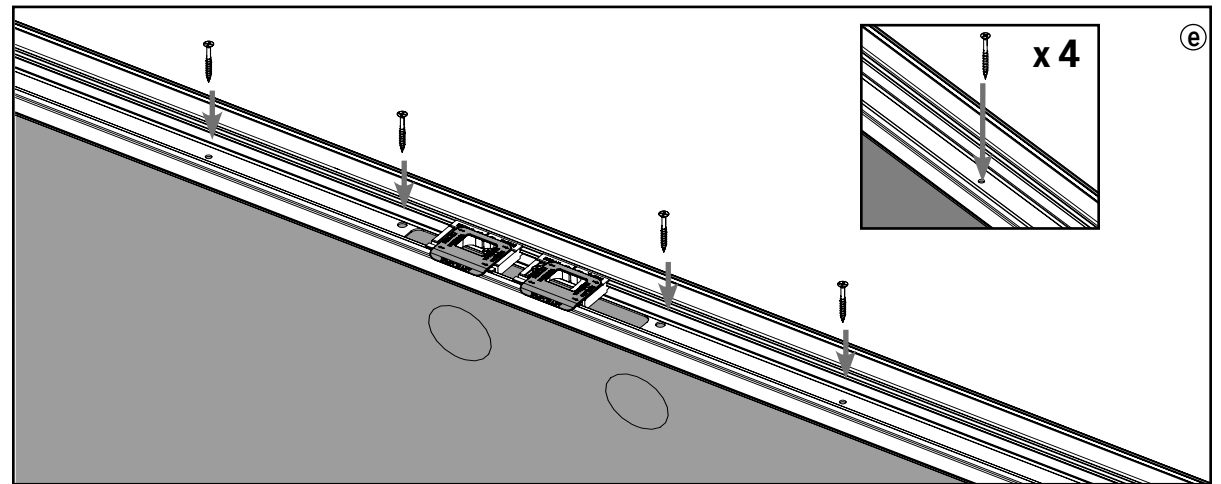
b. Replace the orange pins with two #8 x 1-5/8" screws.



c. Keeping the orange pin in place on the lower bolt, secure one #8 x 1-5/8" screw in the hole adjacent to the pin.

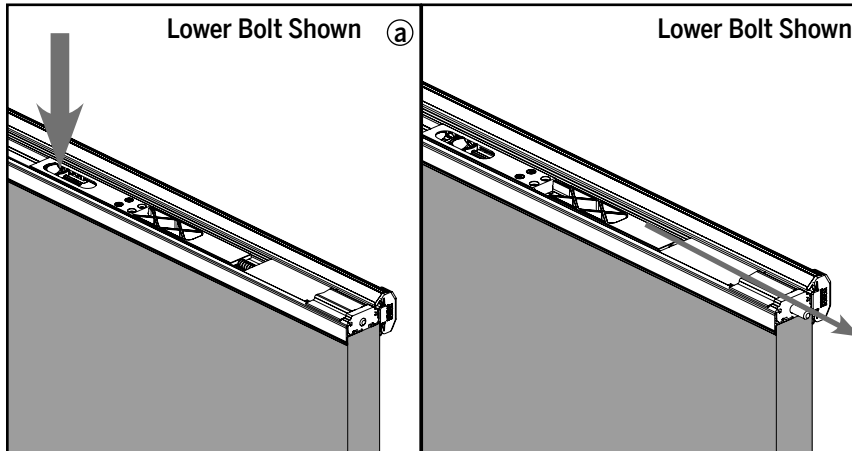


d. Replace the orange pin with a #8 x 1-5/8" screw.

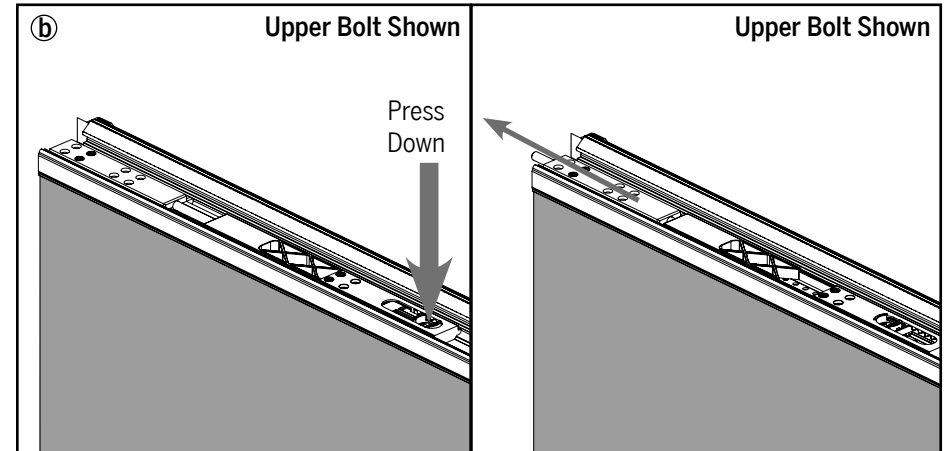


e. Locate four additional screw holes on the inside of the astragal body. Insert four #8 x 1" screws into these holes to secure the astragal to the door panel.

STEP 3: CONFIRM BOLT OPERATION



a. To check lower bolt operation, press down on the finger notch and push the bolt out towards the end of the astragal.



b. To check upper bolt operation, press down on the finger notch and push the bolt out towards the end of the astragal.



If upper bolt is hard to operate, loosen screws on the bolt sleeve slightly for smooth operation.

STEP 4: SIZE AND INSTALL TRIM STRIP

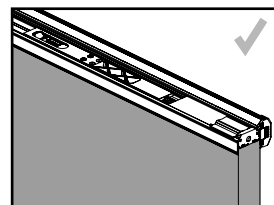
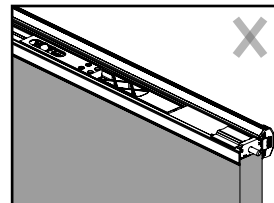
The trim strip is included as a single full length piece with cutouts for the upper and lower bolts. It will need to be sized to be installed in the upper, lower and middle parts of the astragal.



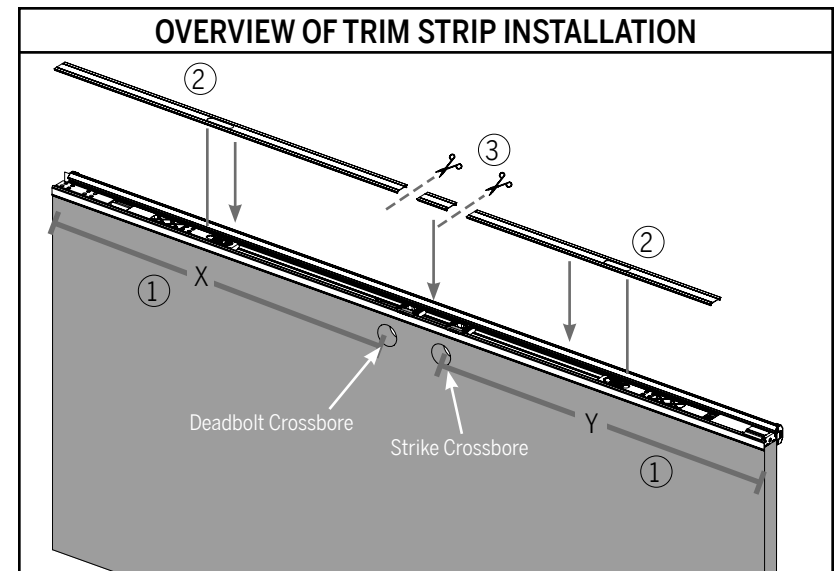
Before you measure or cut the trim strip, ensure the bolts are in the retracted position.

To install:

1. Measure and note the distance from the deadbolt crossbore to the top of the astragal (X) and the distance from the bottom bolt sleeve to the strike crossbore (Y).
2. Align each cutout in the trim strip with the upper/ lower bolt.
3. Size the trim strip to fit between each component (See details on following page).

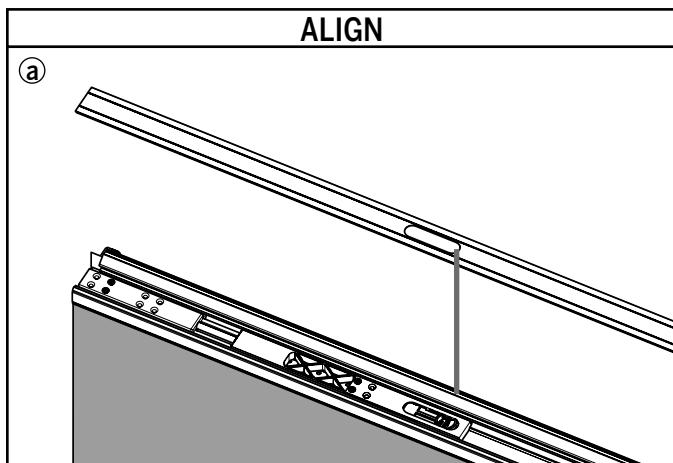


OVERVIEW OF TRIM STRIP INSTALLATION

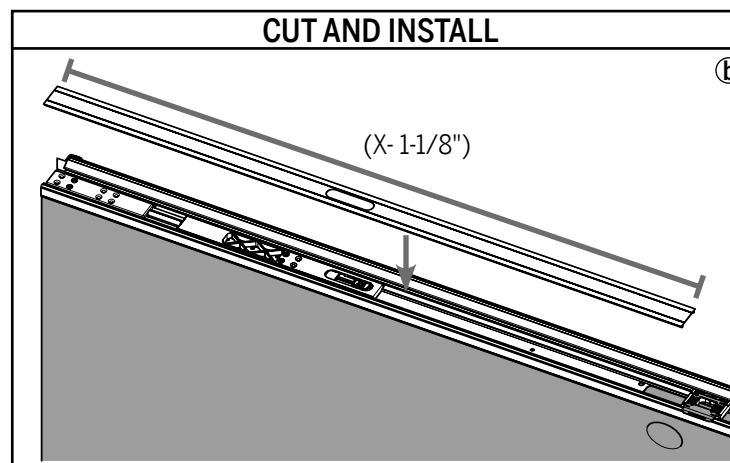


STEP 4 (CONT.): SIZE AND INSTALL TRIM STRIP

UPPER TRIM STRIP:

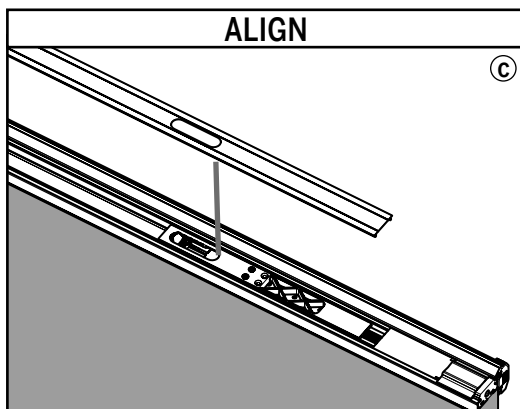


a. Align the trim strip cutout to the finger notch on the upper bolt. Ensure the end of the trim strip is flush with end of the astragal.

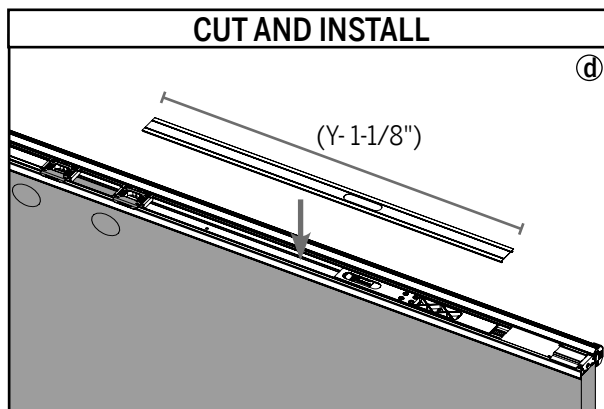


b. Keeping the cutout aligned, measure $(X - 1\frac{1}{8}"$) and cut the trim strip to this size. Install sized trim strip into the astragal body.

LOWER TRIM STRIP:

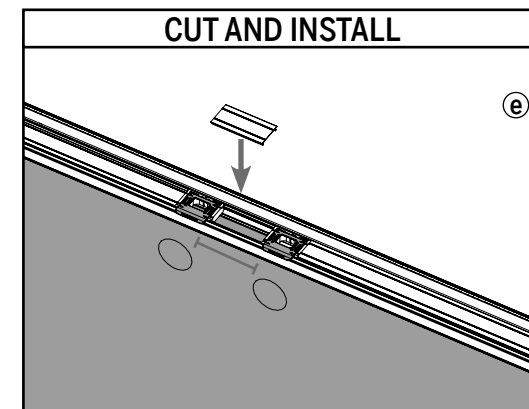


c. Align the trim strip cutout to the curved finger notch on the lower bolt. If there is an overlap with the lower bolt sleeve, cut excess trim strip.



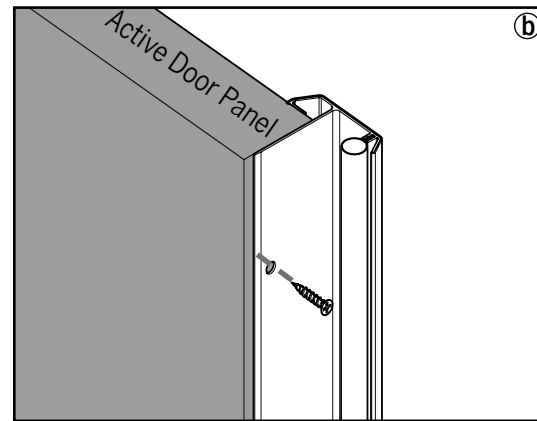
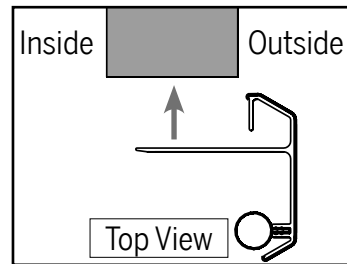
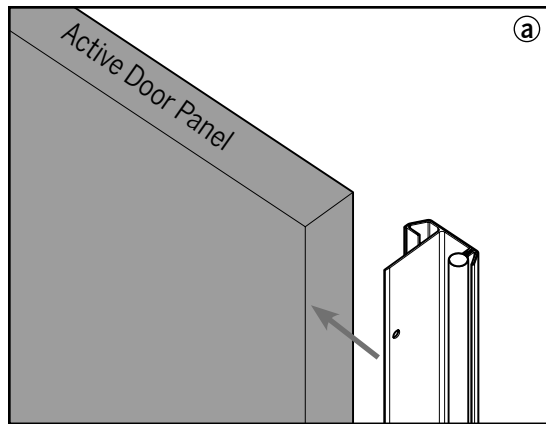
d. Keeping the cutout aligned, measure $(Y - 1\frac{1}{8}"$) and cut the trim strip to this size. Install sized trim strip to fit between the lower bolt sleeve and the strike plate.

MIDDLE TRIM STRIP:



e. Measure the distance between the strike and deadbolt retainer. Cut the remaining trim strip to match this length and install between the two retainers.

STEP 5: INSTALL OPTIONAL SECURITY FLANGE (OUTSWING ONLY)



a. Position the security flange on the active door panel with the wide flange facing the outside of the house. Peel the tape backing and secure against the active panel.

b. Insert the screws through the predrilled holes to secure the flange snug against the face of the active door.