

VersaPan™ Standard Sill Pan

Installation Instructions



8817 West Market Street
Colfax, NC 27235 | 800.334.2006
www.enduraproducts.com

Kit Includes:

- Sill Pan
- Corner Seals (3)
- **Used For French Units Only:**
 - Flashing Tape
 - Nosing Clip

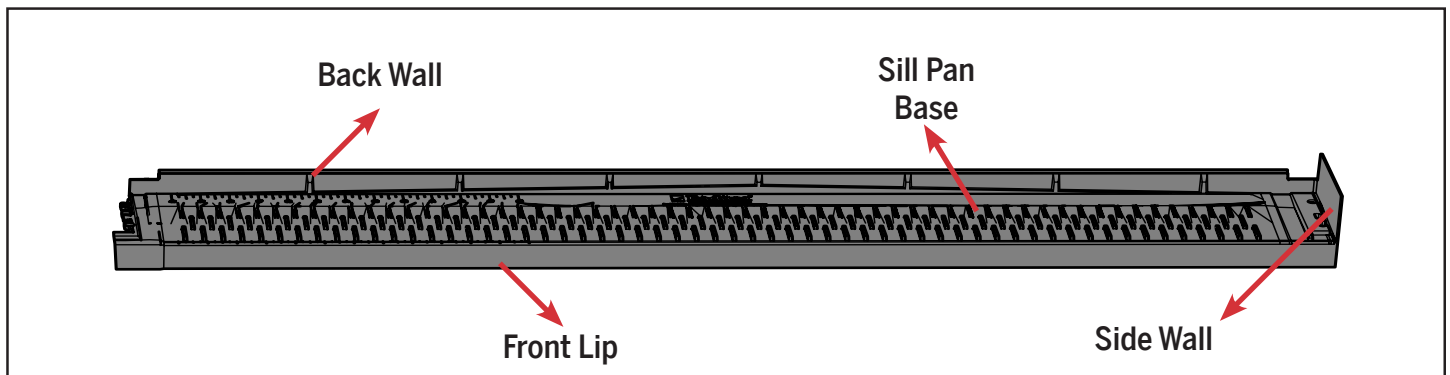
Tools Required:

- Measuring Tape
- Fasteners (Screws/Staples/Nails)
- Cutting Tool (Knife/Scissors)

Notes:

- Fasteners must be at least 1/2" in length.
- To install for French Doors, two sill pans will need to be used. Follow instructions on Page 5.

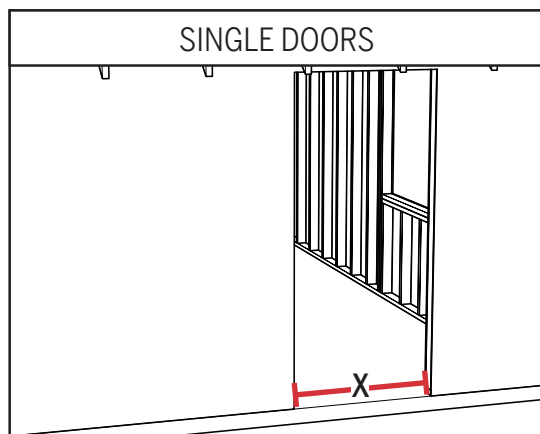
Product Reference Guide



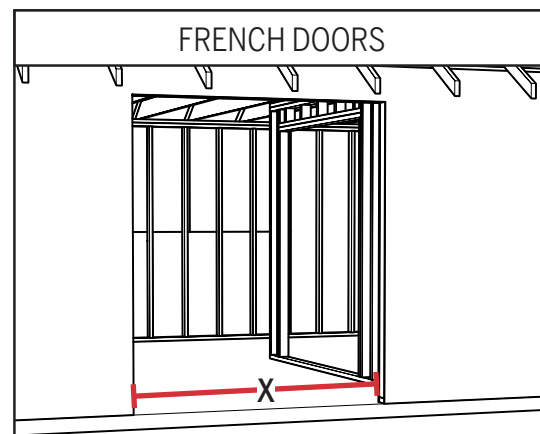
INITIAL PREPARATION

STEP 1: MEASURE THE ROUGH OPENING OF THE DOOR

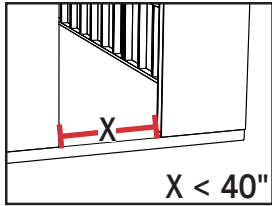
a. Measure and note the length (X) of the rough opening of the door.



For rough openings **less than 40"**, follow Single Door Sill Pan Installation on **Page 2**.

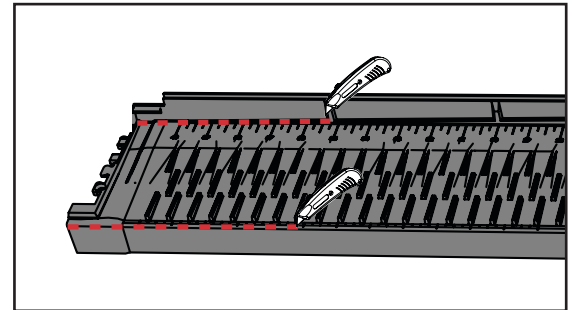
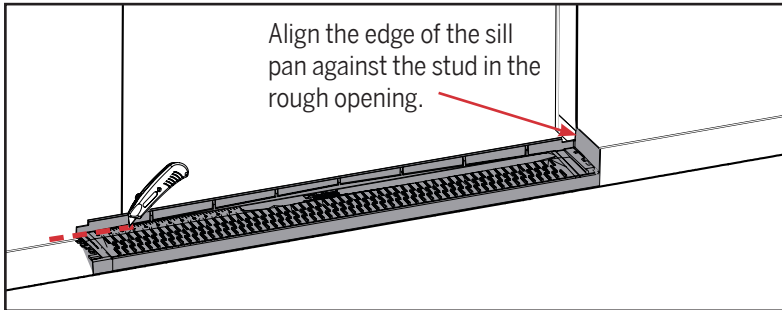


For rough openings **greater than 40"**, follow French Door Sill Pan Installation on **Page 4**.



SINGLE DOOR SILL PAN INSTALLATION

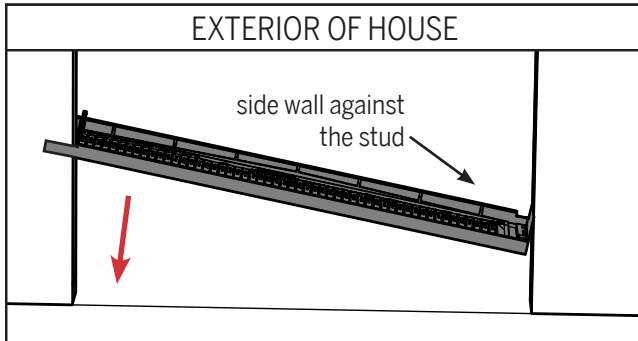
STEP 2: SIZE THE SILL PAN



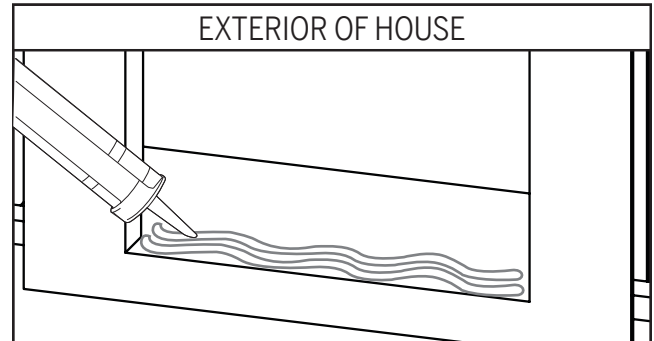
a. Align the wall of the pan against one side of the rough opening. Using the utility knife, make a score mark on the sill pan. This mark will be used to cut the sill pan to size, making it **1/4" less than the rough opening size**.

b. Using the score from Step 2a, cut through the sill pan on the top fold. Make another cut on the bottom fold, even to the top fold. **Do not cut off this excess strip on the back lip.**

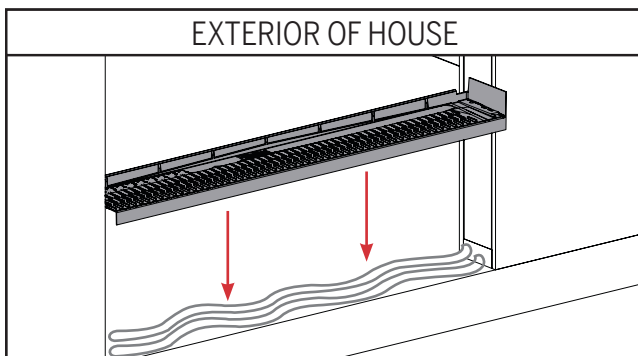
STEP 3: PLACE AND SECURE THE SILL PAN INTO THE ROUGH OPENING



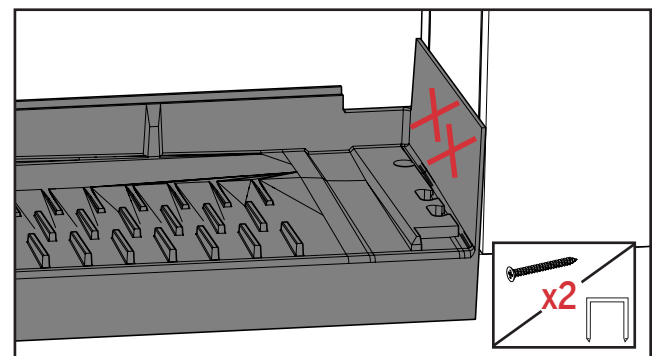
a. Place the sill pan into the rough opening to check that it fits. Make any modifications if needed and remove.



b. Caulk the subfloor in the rough opening.

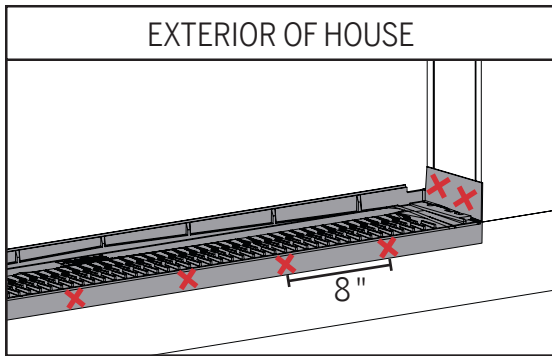


c. Place the sill pan into the rough opening on the caulking and apply pressure along the length of the opening to seal out air pockets.



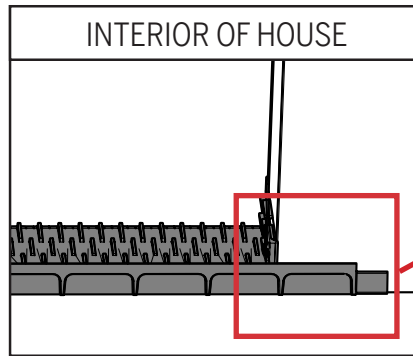
d. Fasten the side wall of the sill pan to the stud using two fasteners. Make sure the fasteners are placed above the back wall.

STEP 3 (CONT.): PLACE AND SECURE THE SILL PAN INTO THE ROUGH OPENING

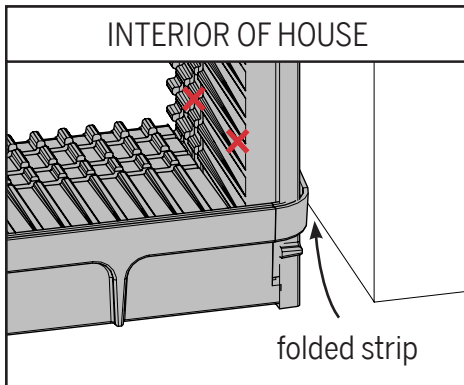
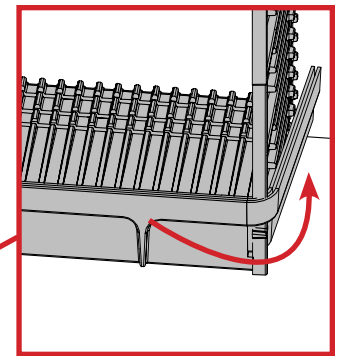


e. Secure the front lip of the sill pan onto the wall below the rough opening. Ensure the fasteners are within 8" apart to securely hold the pan in place.

NOTE: If installing on concrete, step 3e can be skipped.

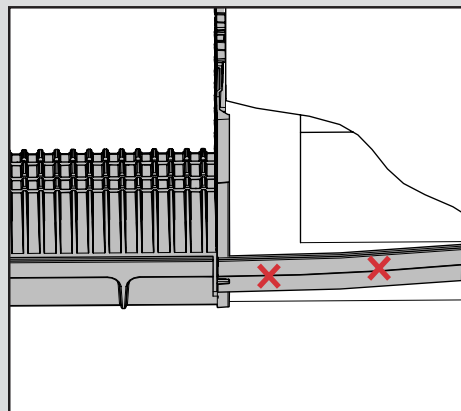


f. On the interior of the house, fold the excess strip of the back wall of the sill pan into the space between the sill pan and the stud.



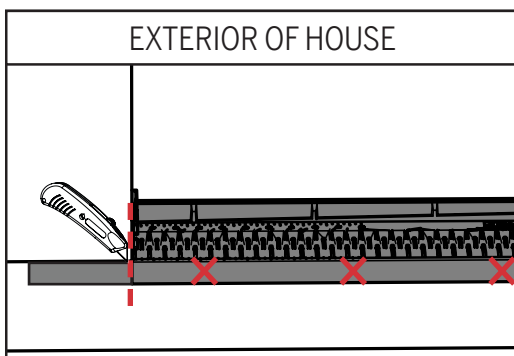
g. Secure the folded strip of the back wall of the sill pan to the stud using the fasteners.

For tight spaces between the sill pan and stud:



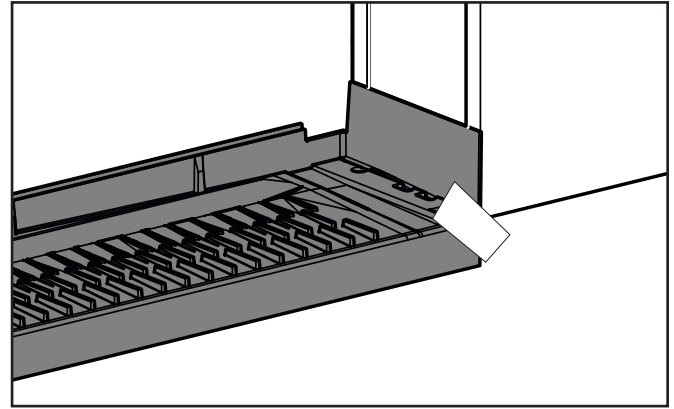
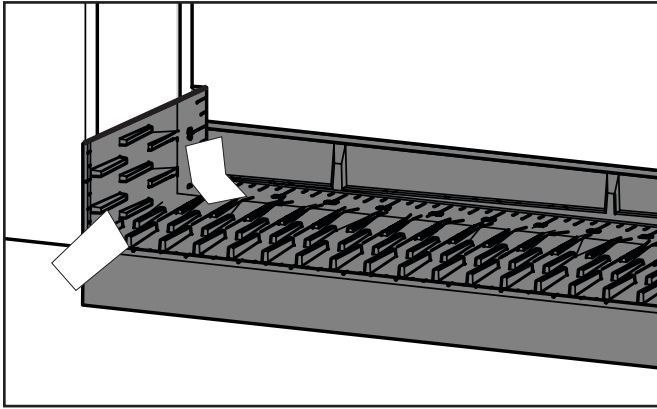
Secure the excess strip of the back wall onto the stud.

NOTE: You may have to remove part of the dry wall to access the stud.



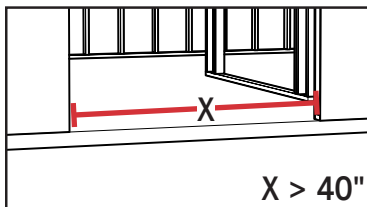
h. Use a utility knife to cut the strip of sill pan off the front left corner.

STEP 4: SEAL OPEN CORNERS ON THE SILL PAN



a. Peel the backing off the sealing strips provided and apply to the locations indicated above. Be careful not to wrap the sealing strips into the nosing channels along the back wall.

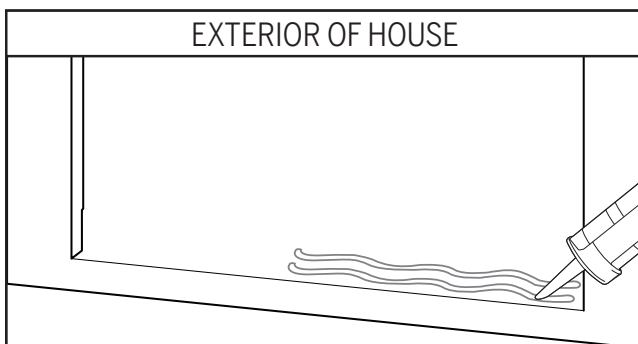
NOTE (Optional): Add the available nosing to the back wall of the sill pan for a clean appearance following installation.



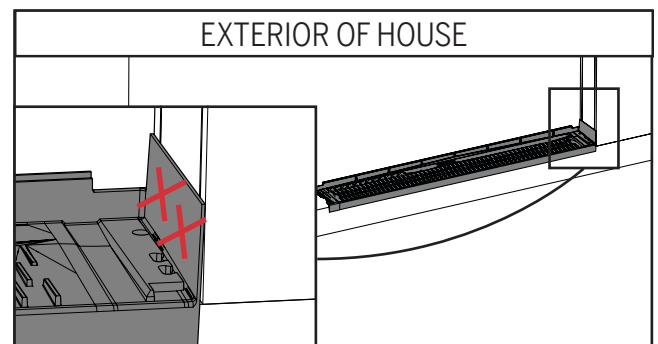
FRENCH DOOR SILL PAN INSTALLATION

French Doors and Rough Openings greater than 40" will require two sill pans to be attached together.

STEP 2: INSTALL THE FIRST SILL PAN INTO THE ROUGH OPENING

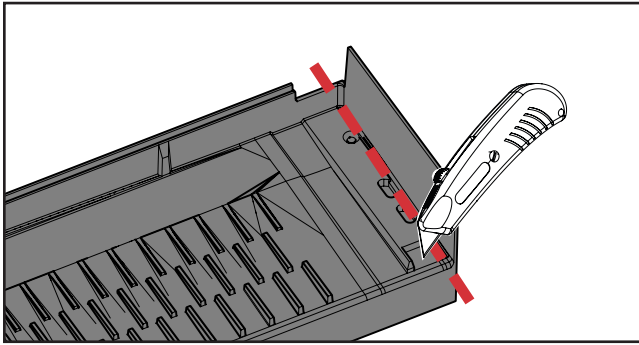


a. Caulk the subfloor under where the first sill pan will be installed.

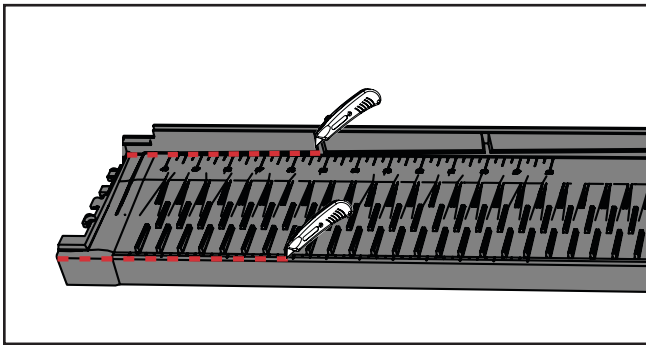


b. Install the first sill pan against the stud and add two fasteners into the side wall.

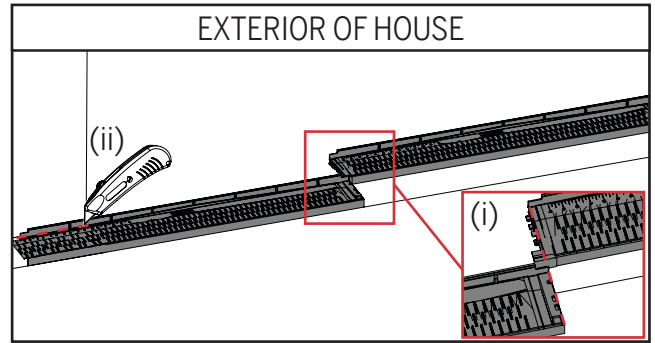
STEP 3: PREP THE SECOND SILL PAN



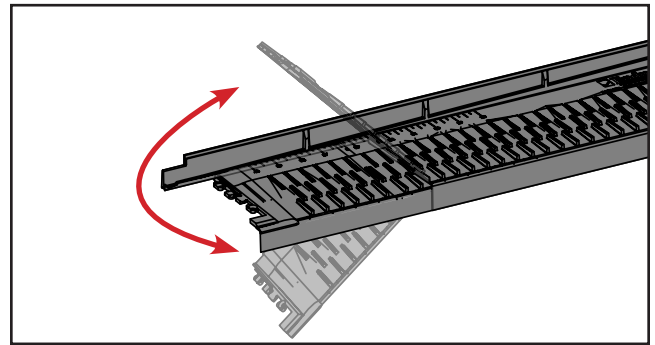
a. Cut the right hand wall of the second sill pan, allowing access to the dovetails.



c. Using the score from Step 3b, cut through the sill pan on the top fold. Make another cut on the bottom fold, even to the top fold.

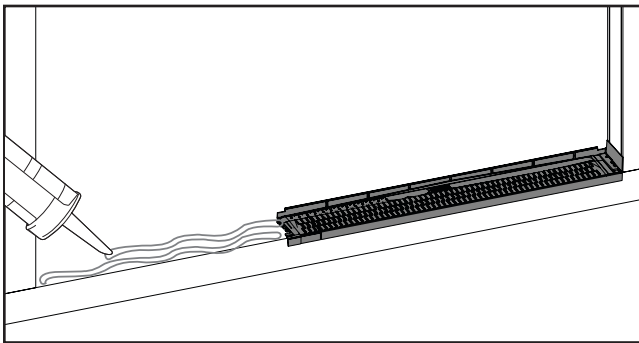


b. (i) Align the dovetails on the second pan with the dovetails of the first pan against the rough opening. (ii) Using your utility knife, make a score mark on the second pan to determine where to make your cut.

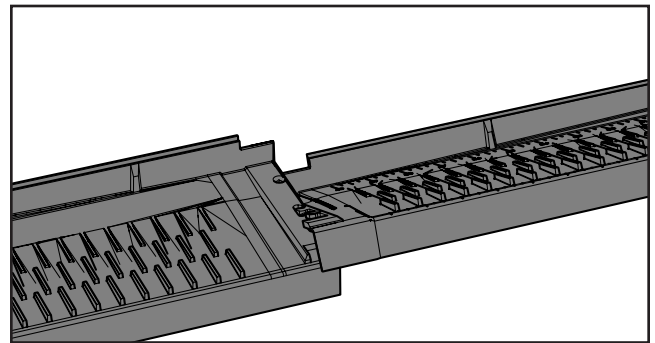


d. Once your cuts are made, prefold the side wall of the second pan and do a dry fit into the opening. If your new side wall is greater than 4-5" in height, cut off the excess from the wall and back wall.

STEP 4: INSTALL THE SECOND SILL PAN

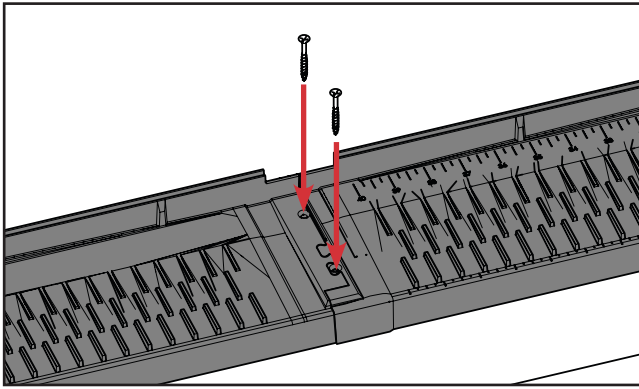


a. Caulk under where the second sill pan will be located.

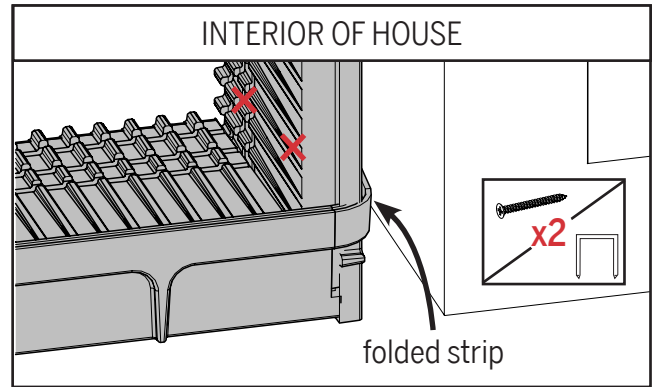


b. Connect the dovetails and set the second sill pan into the rough opening.

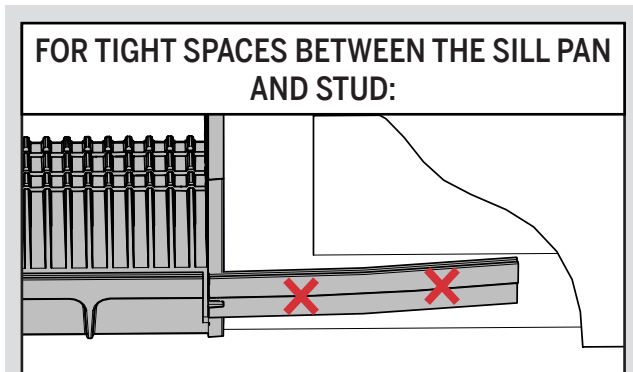
STEP 4 (CONT.): INSTALL THE SECOND SILL PAN



c. Insert two screws into the countersunk holes in the sill pan. For concrete slabs, use concrete screw anchors.

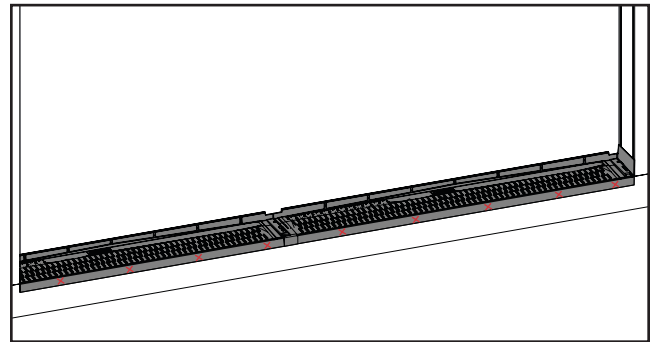


d. Secure the folded strip of the back wall of the sill pan to the stud using two fasteners.

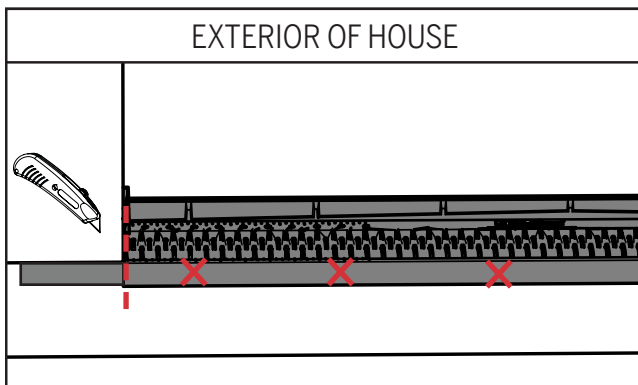


Secure the excess strip of the back wall onto the stud.

NOTE: You may have to remove part of the dry wall to access the stud.

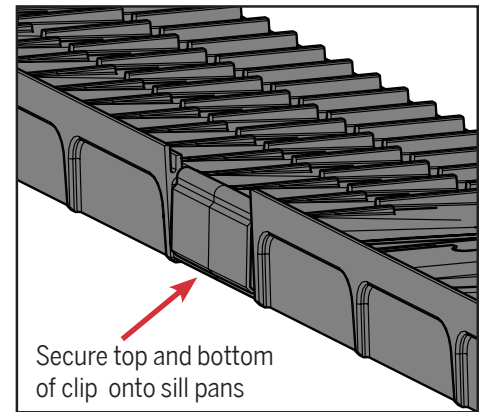
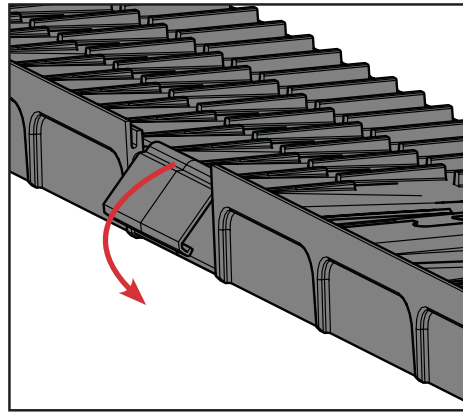
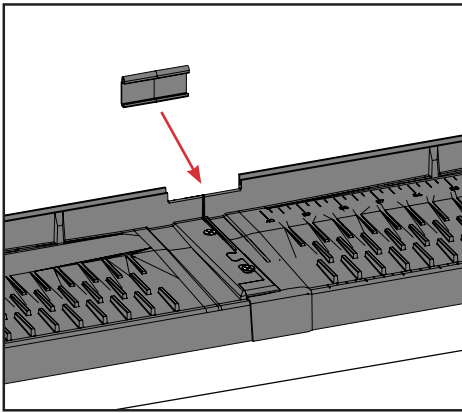


e. Secure the front lip of the sill pan onto the wall below the rough opening. Ensure the fasteners are within 8" apart to securely hold the pan in place.



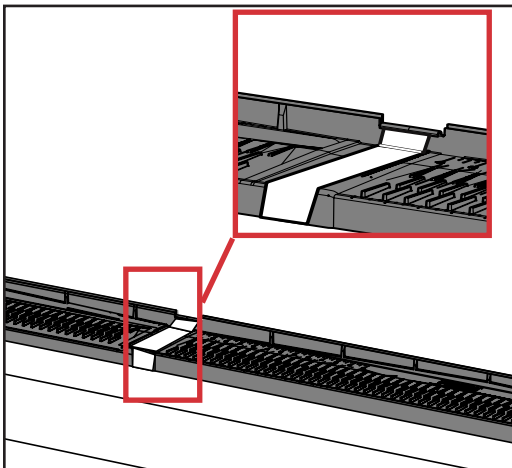
f. Use a utility knife to cut the strip of sill pan off the front left corner.

STEP 5: CONNECT THE TWO SILL PANS

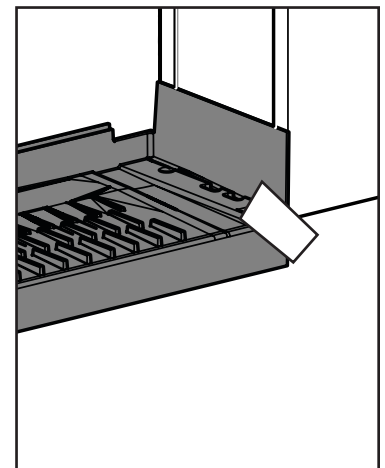
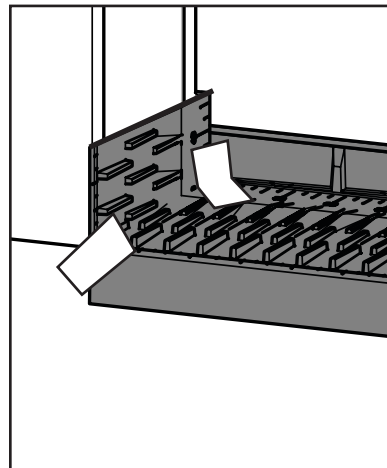


- a. Secure the two pans together by attaching the included clip onto the back wall of the sill pan. Ensure the top and bottom of the clip securely contact the sill pan on the back wall and underneath the base of the sill pan.

STEP 6: SEAL OPEN CORNERS ON THE SILL PAN



- a. Peel the backing off the longest sealing strip provided and apply to the area where the two sill pans connect.



- b. Peel the backing off the sealing strips provided and apply to the locations indicated above. Be careful not to wrap the sealing strips into the nosing channels along the back wall.

NOTE (Optional): Add the available nosing to the back wall of the sill pan for a clean appearance following installation.