

VersaPan™ Universal Sill Pan

Installation Instructions



8817 West Market Street
Colfax, NC 27235 | 800.334.2006
www.enduraproducts.com

Kit Includes:

- Sill Pan
- Corner Seals (3)

Used For French Units Only:

- Flashing Tape

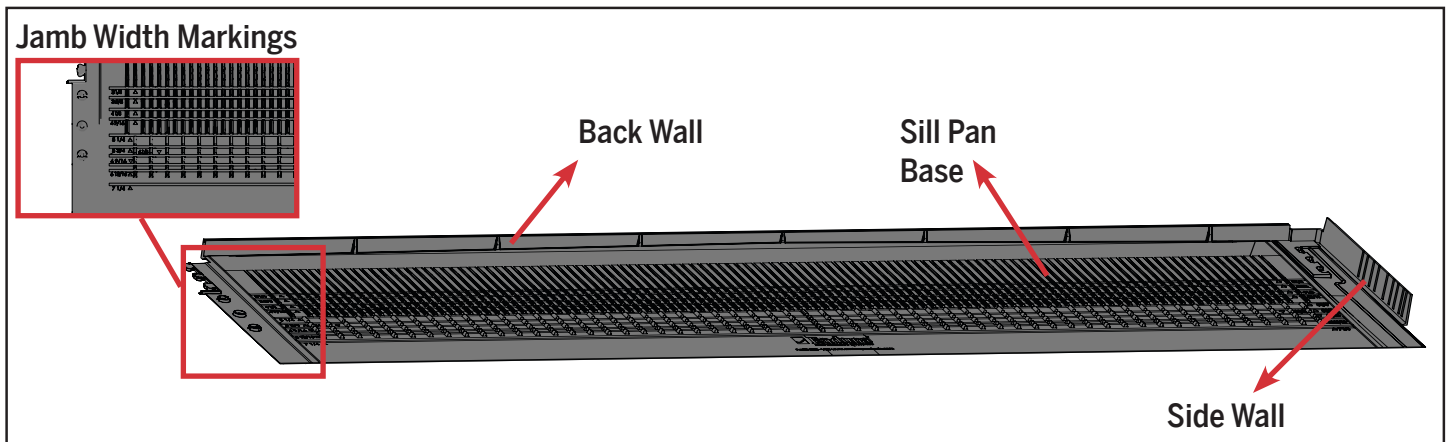
Tools Required:

- Measuring Tape
- Fasteners (Screws/Staples/Nails)
- Cutting Tool (Knife/Scissors)

Notes:

- Fasteners must be at least 1/2" in length.
- To install for French Doors, two sill pans will need to be used. Follow instructions on Page 5.

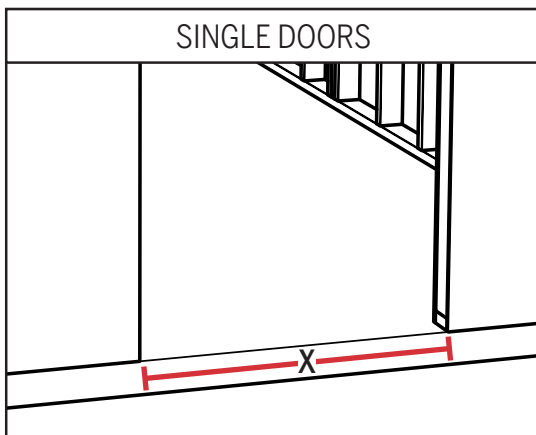
Product Reference Guide



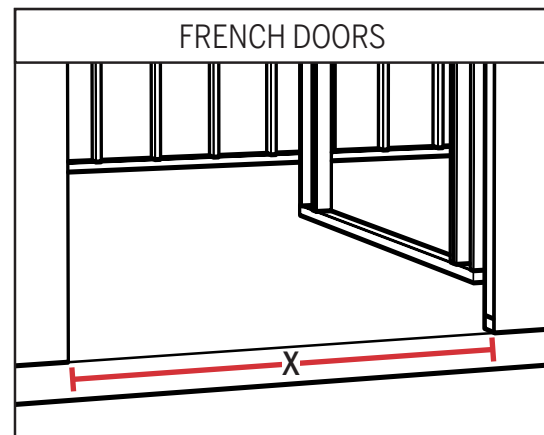
INITIAL PREPARATION

STEP 1: MEASURE THE ROUGH OPENING OF THE DOOR

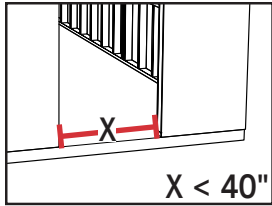
a. Measure and note the length (X) and width (Y) of the rough opening of the door.



For rough opening lengths (X) **less than 40"**, follow Single Door Sill Pan Installation on **Page 2**.

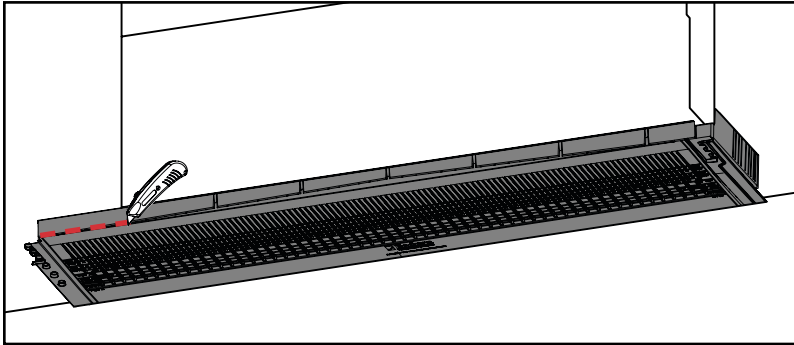


For rough opening lengths (X) **greater than 40"**, follow French Door Sill Pan Installation on **Page 4**.

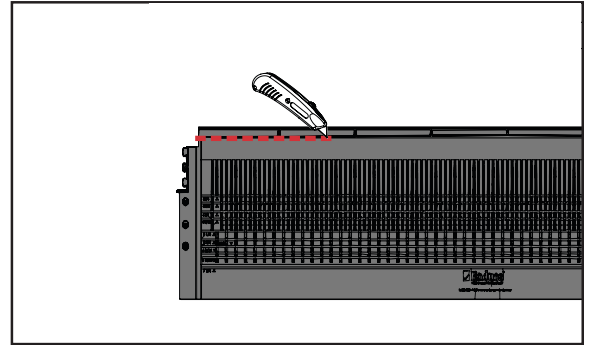


SINGLE DOOR SILL PAN INSTALLATION

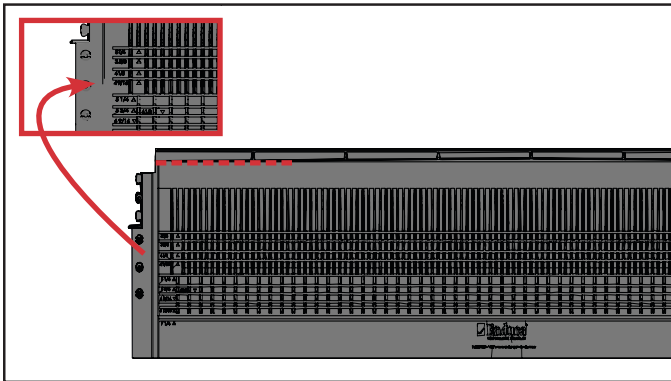
STEP 2: SIZE AND FOLD THE SILL PAN



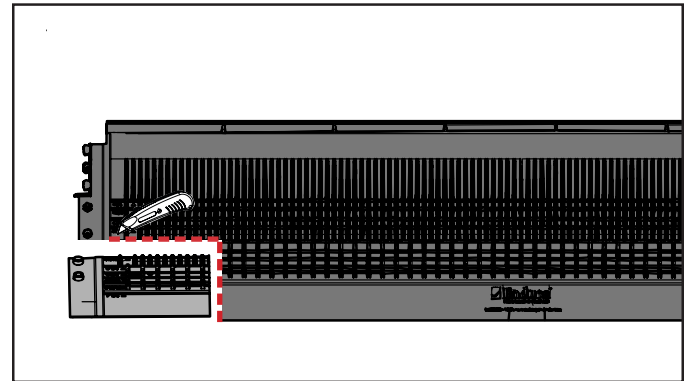
a. Align the wall of the pan against one side of the rough opening. Using the utility knife, make a mark on the sill pan. This mark will be used to cut the sill pan to size, making it **1/4" less than the rough opening size**.



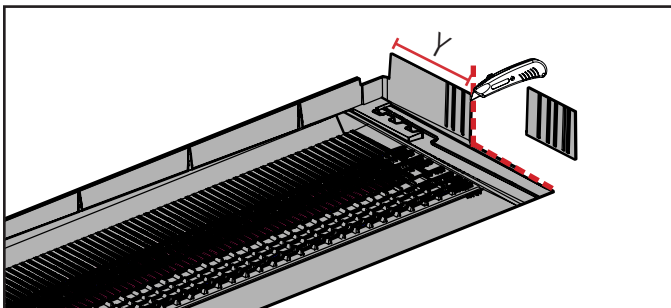
b. Make a cut along the sill pan base up to the mark determined in the previous step, releasing a section of the back wall. **Do not cut off the resulting section on the back wall.**



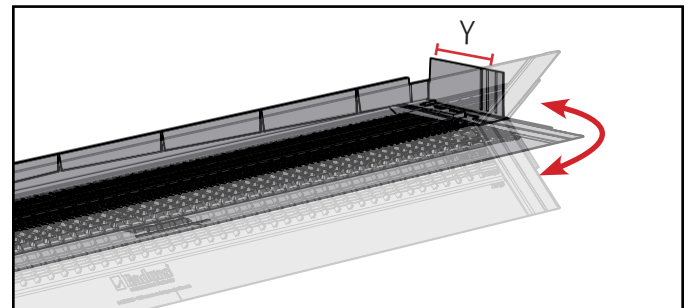
c. Identify the marking on the sill pan that corresponds to the jamb width (Y) of the rough opening.



d. At the mark made on the base of the sill pan in Step 2a, cut into the pan until the jamb width marking identified in Step 2c. Cut off the corner piece to remove.

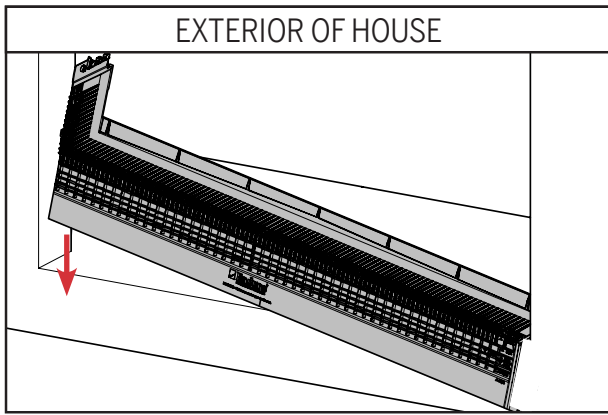


e. On the side wall of the sill pan, cut along the base up to the mark corresponding with the jamb width identified in Step 2c. Cut off the corner of the side wall.

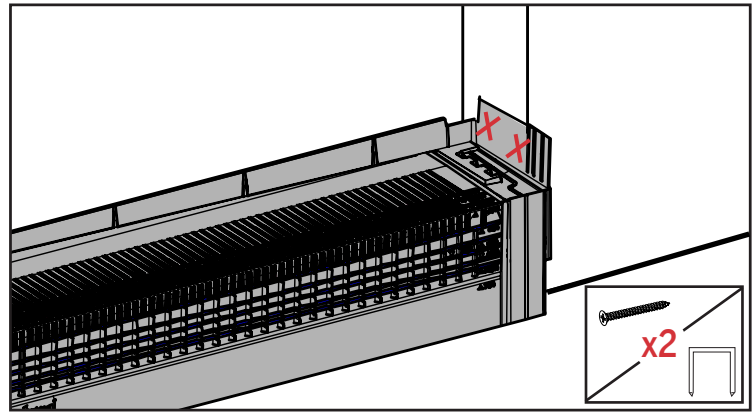


f. Fold the base of the sill pan on the front along the length of the sill pan to create a crease for easy placement in the rough opening.

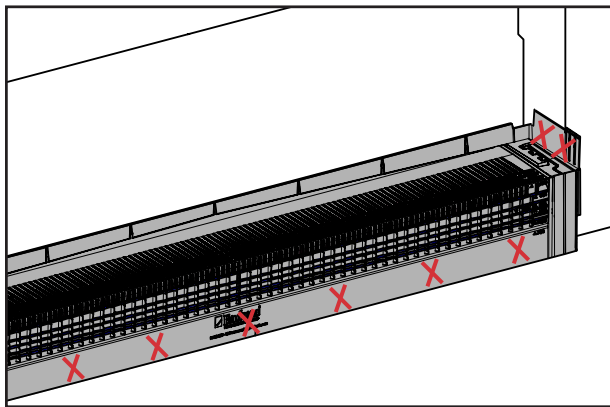
STEP 3: PLACE AND SECURE THE SILL PAN INTO THE ROUGH OPENING



a. Place sill pan into the rough opening folding the base of the sill pan up against the jamb.

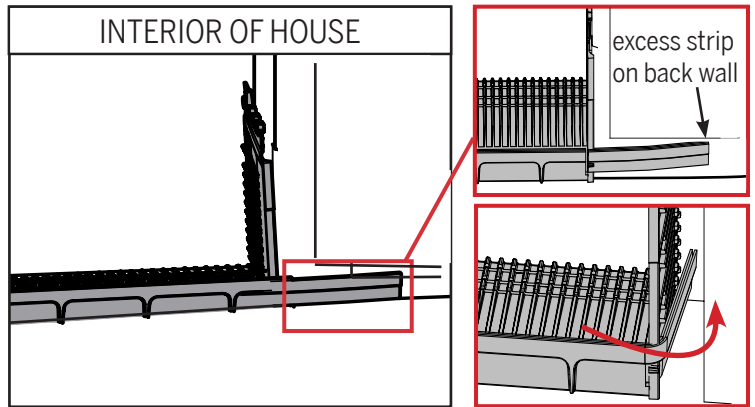


b. Fasten the side wall of the sill pan to the stud using two fasteners. Make sure the fasteners are placed above the back wall - at least 1" above the base of the pan.

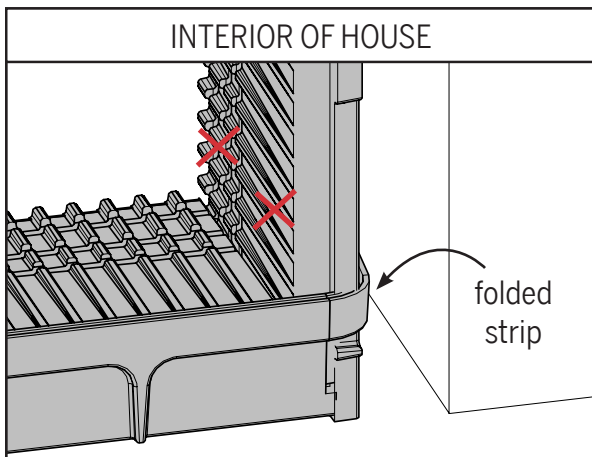


c. Secure the front lip of the sill pan onto the wall below the rough opening. Ensure the fasteners are within 8" apart to securely hold the pan in place. Add additional fasteners if necessary.

NOTE: If installing on concrete, step 3c can be skipped.

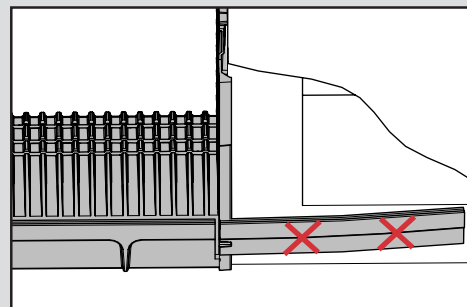


d. On the interior of the house, fold the excess strip of the back wall of the sill pan into the space between the sill pan and the stud.



e. Secure the folded strip to the stud using the fasteners.

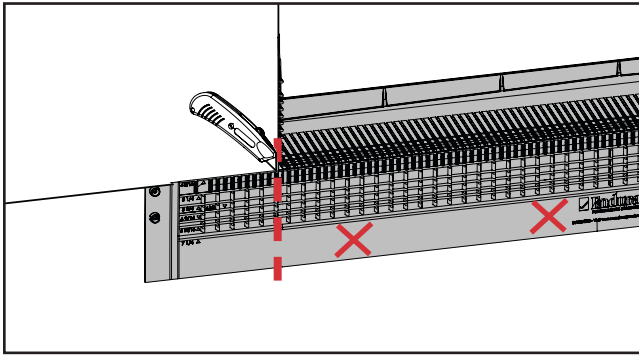
For tight spaces between the sill pan and stud:



Secure the excess strip of the back wall onto the stud.

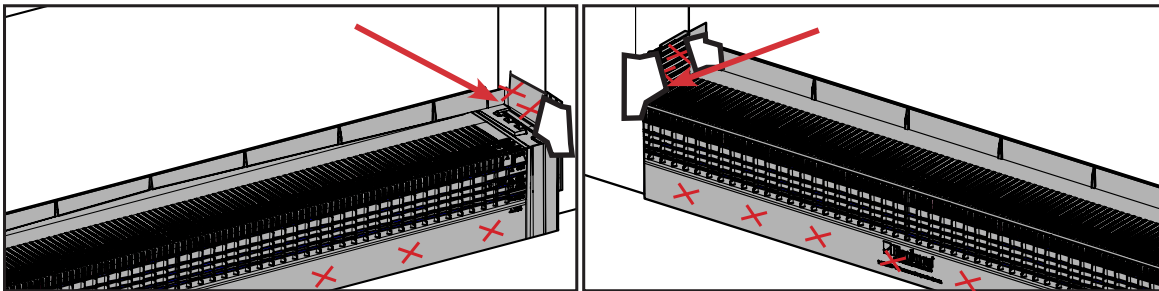
NOTE: You may have to remove part of the dry wall to access the stud.

STEP 3 (CONT.): PLACE AND SECURE THE SILL PAN INTO THE ROUGH OPENING

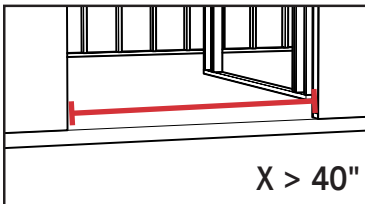


f. Use a utility knife to cut the strip off the front left corner.

STEP 4: SEAL OPEN CORNERS ON THE SILL PAN

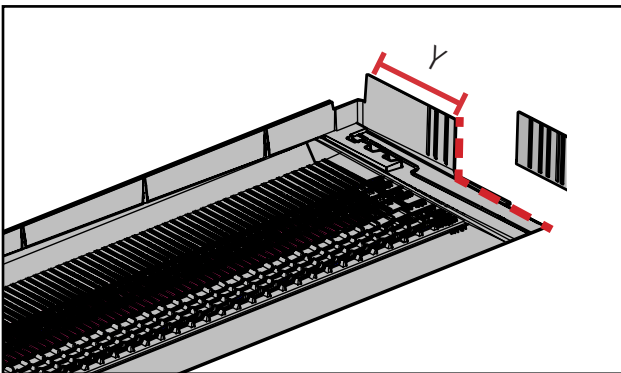


a. Peel the backing off the sealing strips provided and apply on the open corners of the sill pan.

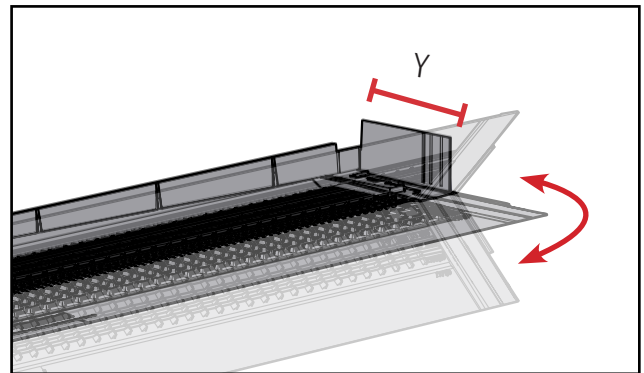


FRENCH DOOR SILL PAN INSTALLATION

STEP 2: PREPARE AND INSTALL THE FIRST SILL PAN INTO THE ROUGH OPENING

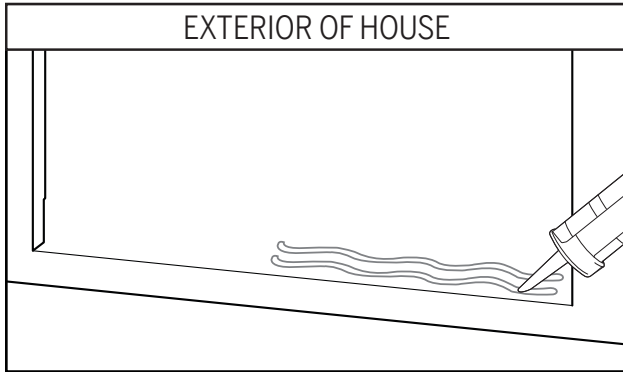


a. Cut and remove the side lip of the first sill pan up to the mark corresponding to the width of the jamb.

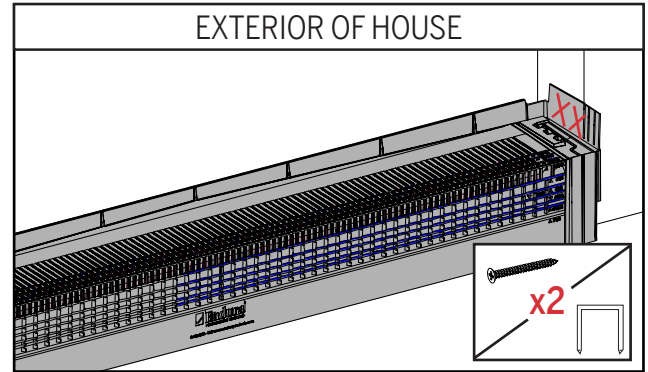


b. Fold along the the mark that corresponds to the width of the jamb, along the length of the sill pan to create a crease for easy placement in the rough opening.


STEP 2 (CONT.): PREPARE AND INSTALL THE FIRST SILL PAN INTO THE ROUGH OPENING



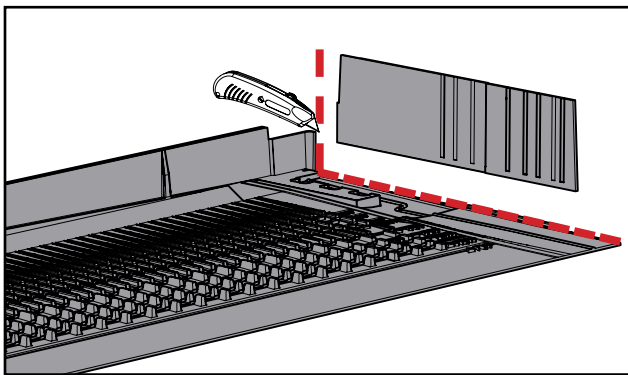
c. Caulk under where the first sill pan will sit in the rough opening.



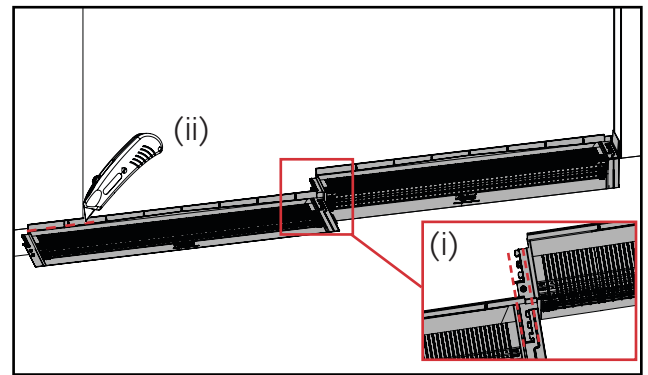
d. Install the first sill pan against the stud and add two fasteners into the side wall.

 Fasteners on the side wall must be at least 1" above the base of the sill pan for maximum sealing.

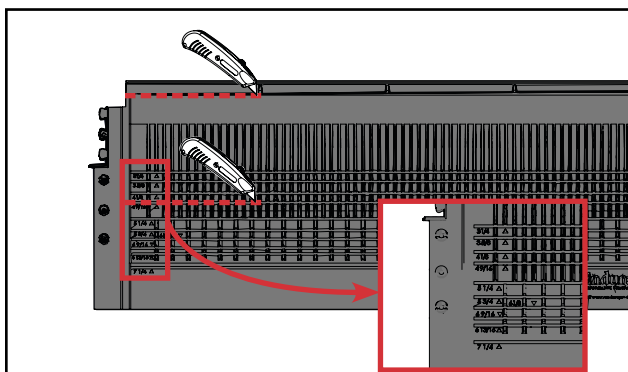
STEP 3: PREP THE SECOND SILL PAN



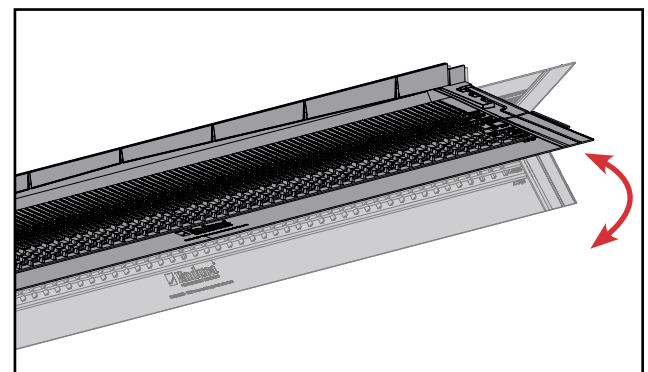
a. Cut the side wall off of the second sill pan to access the dovetails.



b. (i) Align the dovetails on the second pan with the dovetails of the first pan against the rough opening. (ii) Using a utility knife, make a score mark on the second pan to determine where to make your cut.

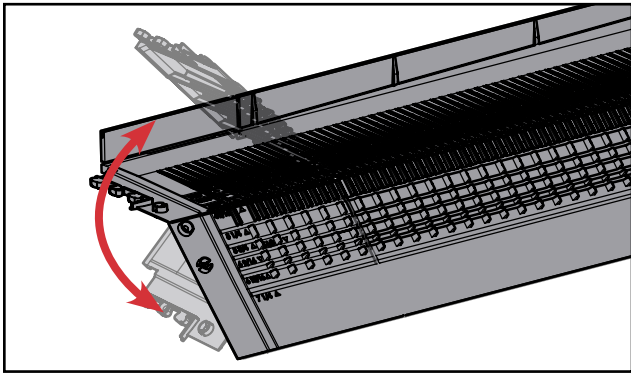


c. Using the score line in Step 3b, cut through the sill pan on the top fold. Make another cut on the line corresponding to the jamb width.



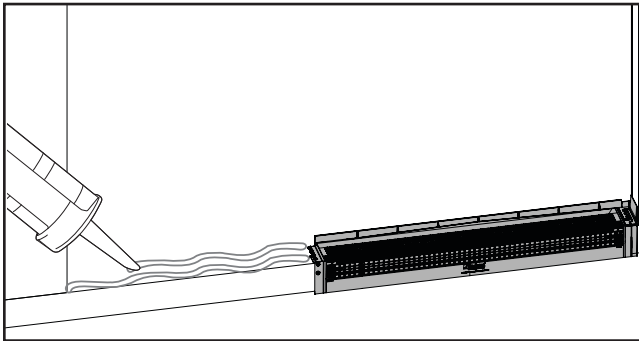
d. Fold along the the mark that corresponds to the width of the jamb, along the length of the sill pan to create a crease for easy placement in the rough opening.

STEP 3 (CONT.): PREP THE SECOND SILL PAN

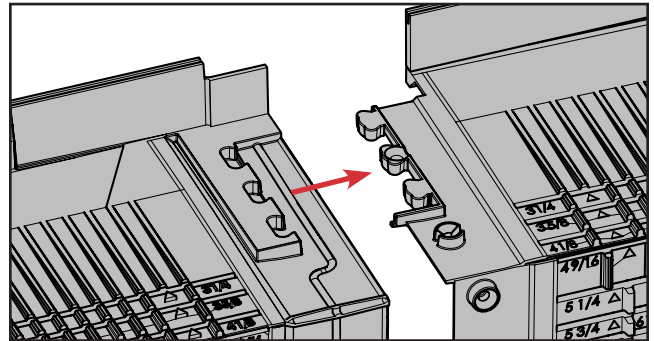


e. Once your cuts are made, prefold the side wall of the second pan and do a dry fit into the opening. If your new side wall is greater than 4-5" in height, cut off the excess from the wall and backwall.

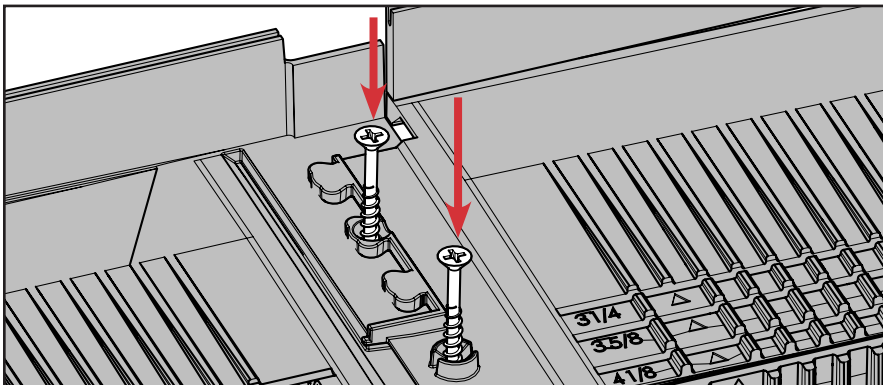
STEP 4: INSTALL THE SECOND SILL PAN



a. Caulk under where the second sill pan will be located.

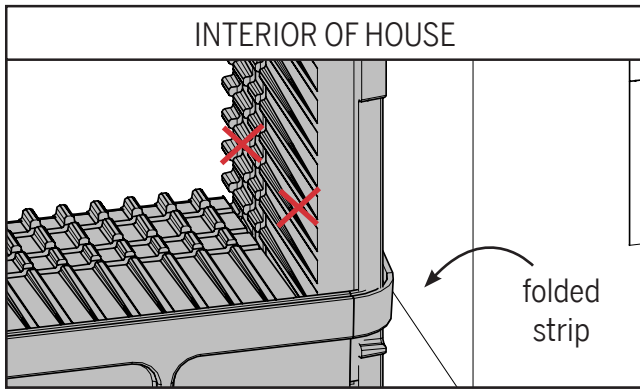


b. Connect the dovetails and set the second sill pan into the rough opening.

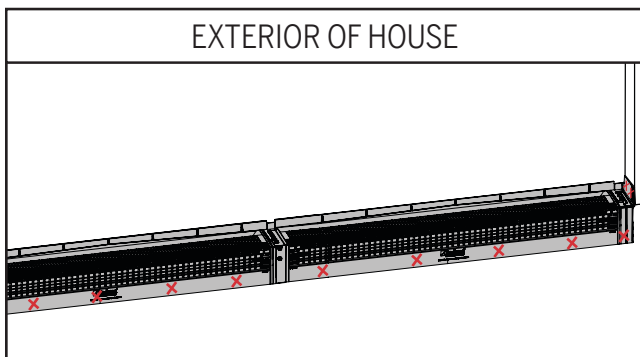


c. Insert two screws into the countersunk holes in the sill pan. For concrete slabs, use concrete screw anchors.

STEP 4 (CONT.): INSTALL THE SECOND SILL PAN



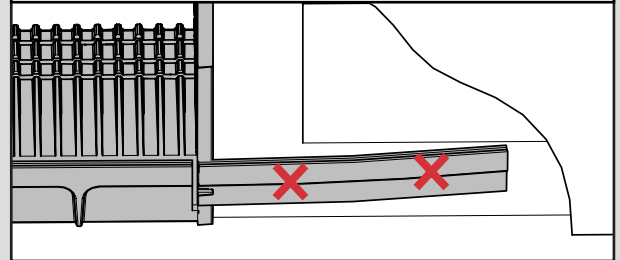
d. Secure the folded strip on the back wall of the sill pan to the stud using the fasteners.



e. Fasten the front of the sill pan applying pressure as you move along the length of the sill pan. Fasteners should be about 8" apart.

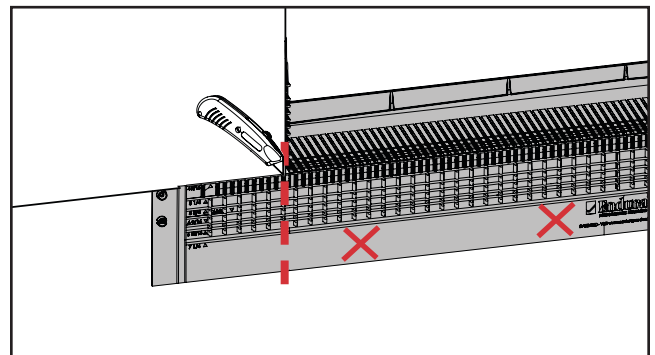
NOTE: If installing on concrete, step 4e can be skipped.

FOR TIGHT SPACES BETWEEN THE SILL PAN AND STUD:



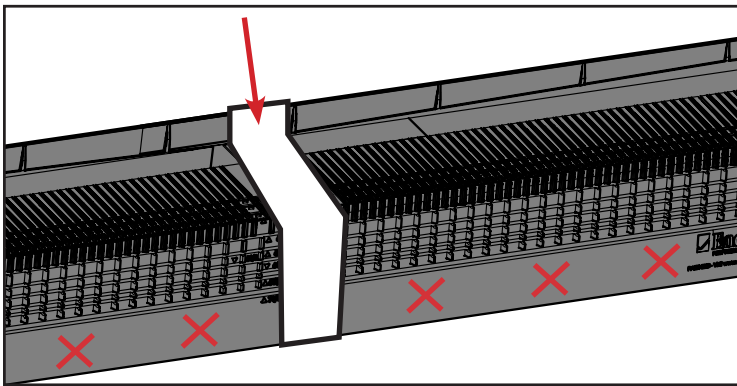
Secure the excess strip of the back wall onto the stud.

NOTE: You may have to remove part of the dry wall to access the stud.

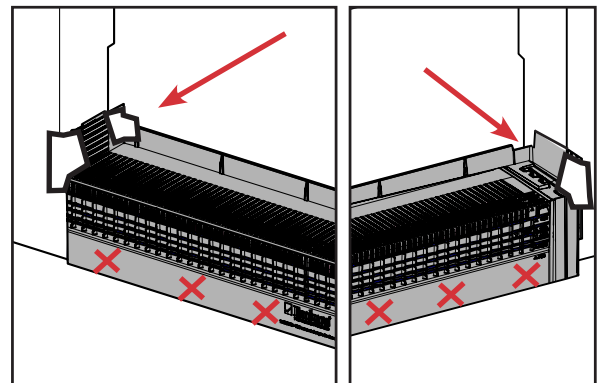


f. Use a utility knife to cut the strip off the front left corner.

STEP 5: SEAL OPEN CORNERS ON THE SILL PAN



a. Peel the backing off the longest sealing strip provided and apply to the area where the two sill pans connect.



b. Peel the backing off the sealing strips provided and apply to the locations indicated above. Be careful not to wrap the sealing strips into the nosing channels along the back wall.

